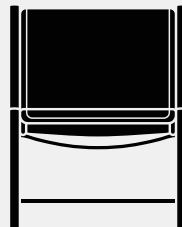
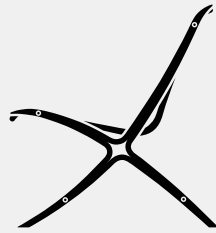


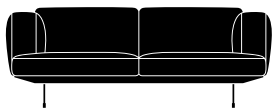
&Tradition The Collection 2022



Price list 2022 – Valid from September 1st
Currency: EURO ex. VAT

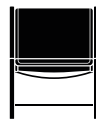
Alle Preise zzgl. ges. MwSt.

Furniture



Inland AV22 & AV23
Design Anderssen & Voll | 2022
Category Sofa
Variants Black Steel Base
Price* from 2.838 EUR

p. 155-156



X HM10
Design Hvidt & Mølgaard | 1959
Category Lounge chair
Variants Lacquered Oak w. Walnut inserts & Natural rattan seat
Price* 1.135 EUR

p. 139



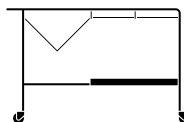
Tung JA3
Design John Astbury | 2022
Category Side table
Variants Steel Blue, Burgundy Red
Price* 397 EUR

p. 206



Rotate SC73
Design Space Copenhagen | 2022
Category Trolley
Variants Terracotta, Hunter, Ivory, Merlot
Price* 340 EUR

p. 207



Alima NDS1
Design Note Design Studio | 2022
Category Trolley
Variants Chrome, Matt Black
Price* from 738 EUR

p. 208



Pavilion AV18, AV19 & AV24
Design Anderssen & Voll | 2022
Category Dining table
Size AV18: W160 cm / AV19: W200 cm / AV24: W250cm
Price* from 1.305 EUR

p. 202

NEW VARIANTS



Rely HW71 - HW80
Design Hee Welling | 2021
Category Side chair & armchair
New Variants Oak or Walnut base
Price* from 272 EUR

p. 94-103

NEW VARIANTS



Rely HW81 - HW100
Design Hee Welling | 2021
Category Counter & bar stool, Counter & bar chair
Variants Black, Bronzed
Price* from 249 EUR

p. 104-123

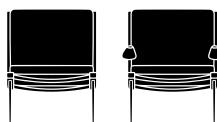
NEW VARIANTS



Rely HW101 - HW105
Design Hee Welling | 2021
New Variants Lounge chair
Price* from 249 EUR

p. 124-128

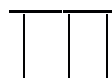
NEW VARIANTS



Boomerang HM1 & HM2
Design Hvidt & Mølgaard | 1956
Category Lounge chair
New Variants Stainless steel legs
Price* from 2.271 EUR

p. 135-138

NEW VARIANTS



Pinwheel HM7
Design Hvidt & Mølgaard | 1953
Category Side table
New Variants Stainless steel legs
Price* from 454 EUR

p. 204

NEW VARIANTS



Develius EV1J - EV2K
Design Edward Van Vliet | 2018
Category Modular sofa
New Variants High armrest
Price* from 1.249 EUR

p. 170

Objects



Collect | Bowl ^{SC82}

Design Space Copenhagen | 2022
Category Bowl
Variants Clear
Price* 28 EUR

p. 228



Collect | Glass ^{SC78}

Design Space Copenhagen | 2022
Category Glass
Variants Clear, Amber, Moss
Price* 28 EUR

p. 227

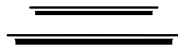


Collect | Wine glass ^{SC79 & SC80}

Design Space Copenhagen | 2022
Category Glass
Variants Clear
Price* from 45 EUR

p. 228

NEW VARIANTS



Collect | Tray ^{SC64 & SC65}

Design Space Copenhagen | 2021
Category Tray
Variants Black Lacquered Oak
Price* from 90 EUR

p. 229

Lighting



Herman ^{SHY3}

Design Signe Hytte | 2022
Category Table lamp
Variants Opal Glass w. Walnut & Cream Marble
Price* 340 EUR

p. 273



Raku ^{SH8}

Design Sebastian Herkner | 2022
Category Portable lamp
Variants Blue Green & Brass, Beige Grey & Bronzed
Price* 215 EUR

p. 279



Colette ^{ATD6}

Design &Tradition | 2022
Category Table lamp
Variants White & Black, White & Merlot
Price* 283 EUR

p. 252

Index

Chairs and Lounge

Catch
p. 12-13

JH1



JH2



JH15



JH13



JH14



Catch
p. 14

JH16



JH17



Elefy
p. 15-18

JH28



JH29



JH30



JH31



Elefy
p. 19-22

JH32



JH33



JH34



JH35



Elefy
p. 23-24

JH36



JH37



In Between
p. 25-28

SK1



SK2



SK7



SK8



SK9



SK10



Pavilion
p. 29-33

AV1



AV2



AV3



AV4



AV12



AV13



Pavilion
p. 34-36

AV5



AV6



AV11



Pavilion
p. 37-40

AV7



AV8



AV14



AV9



AV10



AV15



Rely
p. 41-45

HW6



HW7



HW8



HW9



HW10



Rely
p. 46-55

HW11



HW12



HW13



HW14



HW15



HW16



HW17



HW18



HW19



HW20



Rely
p. 56-60

HW21



HW22



HW23



HW24



HW25



Rely
p. 61-62

HW26



HW27



Rely
p. 63-67

HW28



HW29



HW30



HW31



HW32



Rely
p. 68-72

HW33



HW34



HW35



HW36



HW37



Rely
p. 73-82

HW38



HW39



HW40



HW41



HW42



HW43



HW44



HW45



HW46



HW47



Rely
p. 83-87

HW48



HW49



HW50



HW51



HW52



Rely
p. 88-92

HW53



HW54



HW55



HW56



HW57



Index

Rely
Outdoor chair
p. 93



Rely
p. 94-98



Rely
p. 99-103



Rely
Counter stool
p. 104-108



Rely
Bar stool
p. 109-113



Rely
Counter chair
p. 114-118



Rely
Bar chair
p. 119-123



Rely
Lounge chair
p. 124-128



Rely
Seat Pad
p. 129-130



Betty
p. 131-132



Betty
p. 133-134



Boomerang
p. 135-138



X
p. 139



Drawn
p. 140



Index

Lounge and Sofas

Little Petra & Pouf
p. 141-144

VB1



VB2



ATD1



Wulff & Pouf
p. 145-147

ATD2



ATD3



Margas
p. 148-150

LC1



LC2



LC3



Loafer
p. 151-154

SC24



SC23



SC25



SC26



Inland
p. 155-156

AV22

NEW



AV23

NEW



Mayor
p. 157-158

AJ5



AJ6



Cloud
p. 159-161

LN1



LN2



LN3.2

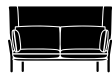


Cloud
p. 162-164

LN5



LN6



LN7



Develius
p. 165-171

EV1-

EV7



EV1J-

EV2K

NEW



Isole
p. 172-173

NN1A-

NN1G



Fly
p. 174-179

SC10



SC1



SC2



SC3



SC12









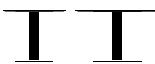












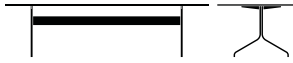






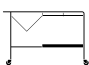
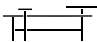

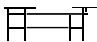



SC9

















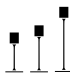



















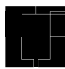




Index

Tables

Fly p. 180-181	SC4 	SC5 	SC11 
In Between p. 182-183	SK13 SK14 SK15 	SK23 SK24 	
In Between p. 184-186	SK3 SK4 	SK5 	SK6 
In Between p. 187-192	SK11 SK12 	SK16- SK21 	SK16 SK17 SK21 SK22 
Rely p. 193	ATD4 ATD5 		
Patch p. 194-195	HW1 	HW2 	
Drip p. 196-198	HW58 	HW59 	HW60 
Pavilion p. 201	AV16 	AV17 	
Pavilion p. 202	AV18 NEW 	AV19 NEW 	AV24 NEW 
Drop Leaf p. 203	HM5 HM6 		
Pinwheel p. 204	HM7 		
Lato p. 205	LN8 	LN9 	
Tung p. 206	JA3 NEW 		
Rotate p. 207	SC73 NEW 		
Alima p. 208	NDS1 NEW 		
Palette p. 209-211	JH7 	JH9 	JH25 
Shuffle p. 212	MH1 		

Index

Objects

Collect Cushion p. 213-217	SC28	SC29	SC30	SC48	
					
Collect Throw & Blanket p. 213 p. 218-220	SC31	SC32 SC33		SC34	SC81
		 			
Collect Glass Vases p. 221	SC35- SC38				
					
Collect Candleholder p. 222	SC39- SC41				
					
Collect Object p. 223	SC42				
					
Collect Hook & Hanger p. 224	SC46- SC47				
					
Collect Plate p. 225	SC55				
					
Collect Candleholder p. 226	SC57- SC59				
					
Collect Glass & Carafe p. 227	SC78 NEW	SC60 SC61	SC62 SC63		
		 	 		
Collect Wine glass & Bowl p. 228	SC79 SC80 NEW	SC82 NEW			
	 				
Collect Tray p. 229	SC64- SC65				
					
Collect Vases p. 230-231	SC66- SC68				
					
Collect Planter p. 232	SC69- SC72				
					
Capture p. 233-235	SC74	SC75	SC76	SC77	
					
The Moor p. 236-238	AP5	AP7	AP6	AP8	
					
Cruise p. 239	AP11	AP12			
					
Framed p. 240	AP13	AP14			
					
The Eye p. 241	AP9				
					

Index

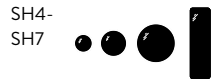
Untitled
p. 242



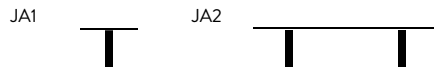
Amore
p. 243



Sillon
p. 244



Column
p. 245



Votive
p. 246



Index

Lighting

P376
p. 247



Blown
p. 248



Passepartout
p. 249



Tabata
p. 250



Milk
p. 251



Colette
p. 252



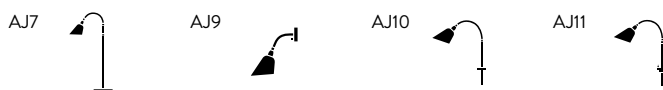
Formakami
p. 253



Setago
p. 254



Bellevue
p. 255-257



Flowerpot
p. 258-264



Topan
p. 265



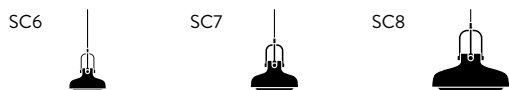
Mass Light
p. 266



Utzon Lamp
p. 267



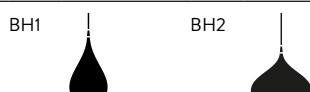
Copenhagen
p. 268



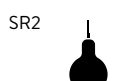
Copenhagen
p. 269



Spinning
p. 270



Mega Bulb
p. 271



Journey
p. 272



Index

Herman
p. 273



Tripod
p. 274-275



Lucca
p. 276



Manhattan & Como
p. 277



Caret
p. 278



Raku
p. 279



Product information

Table Settings
p. 280-283

Blown Chandelier
p. 284

POS-Material
p. 285

Spare Parts
p. 286-288

Materials care and cleaning
p. 289-290

Fabric Overview
p. 291-292

Colour Codes
p. 293

Packaging Information
p. 294-304

Sales Procedures for Dealers
p. 305-307

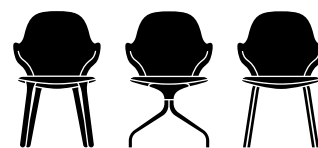
Information regarding lead times

Kindly note that lead times are stated excluding transport from the &Tradition warehouse.

Catch JH1, JH2 & JH15

Jaime Hayon

2013 & 2017



Item no.	Upholstery	Model	Base	Lead time	Weight	PRICE EX. VAT (EUR)
Fabric gr. 1	Canvas, Linara, Remix, Re-Wool	JH1	Solid Oak	6-8 weeks	8.50 kg	703
		JH2	Swivel	6-8 weeks	9.50 kg	828
		JH15	Tube	6-8 weeks	8.50 kg	703
Fabric gr. 2	Clay, Divina Melange, Duke, Fiord, Hallingdal, Loop, Ritz, Ruskin, Steelcut, Steelcut Trio, Tonus, Velvet, Zero	JH1	Solid Oak	6-8 weeks	8.50 kg	760
		JH2	Swivel	6-8 weeks	9.50 kg	885
		JH15	Tube	6-8 weeks	8.50 kg	760
Fabric gr. 3	Balder, Sisu, Skai Parotega Artificial leather*, Sunniva, Vidar	JH1	Solid Oak	6-8 weeks	8.50 kg	749
		JH2	Swivel	6-8 weeks	9.50 kg	999
		JH15	Tube	6-8 weeks	8.50 kg	874
Fabric gr. 4	Baru, Fuse, Gentle, Karakorum, Karandash	JH1	Solid Oak	6-8 weeks	8.50 kg	1.021
		JH2	Swivel	6-8 weeks	9.50 kg	1.146
		JH15	Tube	6-8 weeks	8.50 kg	1.021
Leather gr. 1 Tailor		JH1	Solid Oak	6-8 weeks	8.50 kg	1.101
		JH2	Swivel	6-8 weeks	9.50 kg	1.226
		JH15	Tube	6-8 weeks	8.50 kg	1.101
Leather gr. 2 Noble		JH1	Solid Oak	6-8 weeks	8.50 kg	1.305
		JH2	Swivel	6-8 weeks	9.50 kg	1.430
		JH15	Tube	6-8 weeks	8.50 kg	1.305
Leather gr. 3 Elmo soft leather		JH1	Solid Oak	6-8 weeks	8.50 kg	1.476
		JH2	Swivel	6-8 weeks	9.50 kg	1.601
		JH15	Tube	6-8 weeks	8.50 kg	1.476
Fabric COM	COM Fabric	JH1	Solid Oak	6-8 weeks	8.50 kg	703
		JH2	Swivel	6-8 weeks	9.50 kg	828
		JH15	Tube	6-8 weeks	8.50 kg	703
Leather COL	COL Leather	JH1	Solid Oak	6-8 weeks	8.50 kg	1.101
		JH2	Swivel	6-8 weeks	9.50 kg	1.226
		JH15	Tube	6-8 weeks	8.50 kg	1.101

JH1: Felt gliders installed as standard.

JH2: Plastic gliders installed as standard.

JH15: Plastic gliders installed as standard. Felt gliders available upon request.

*Skai Parotega Artificial leather:

This product contains 0,1-0,2 % C,C'-azodi (formamide), CAS no. 123-77-3.

Base Finish

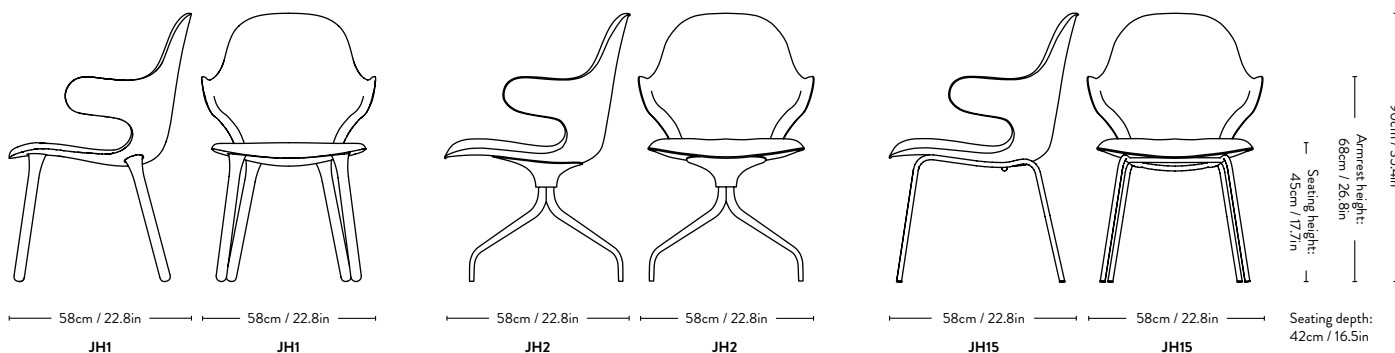
Solid Oak	Oiled Oak, Smoked Oiled Oak, Black Lacquered Oak
Swivel	Powder Coated Black, Polished Aluminium
Tube	Powder Coated Black

Material: Molded PU foam and HR foam.

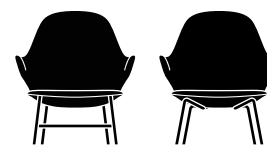
Fabric usage: 1.8 meters based on 140cm roll.

Leather usage: 5 square meters.

COM must be approved by &Tradition to ensure suitability for upholstery.



Catch^{JH13 & JH14} Jaime Hayon 2017



Item no.	Upholstery	Model	Base	Lead time	Weight	PRICE EX. VAT (EUR)
Fabric gr. 1	Canvas, Linara, Remix, Re-Wool	JH13	Flat Tube	6-8 weeks	14.00 kg	1.419
		JH14	Round Tube	6-8 weeks	14.00 kg	1.305
Fabric gr. 2	Clay, Divina Melange, Duke, Fiord, Hallingdal, Loop, Ruskin, Steelcut, Steelcut Trio, Tonus, Zero	JH13	Flat Tube	6-8 weeks	14.00 kg	1.532
		JH14	Round Tube	6-8 weeks	14.00 kg	1.419
Fabric gr. 3	Balder, Sisu, Sunniva, Vidar	JH13	Flat Tube	6-8 weeks	14.00 kg	1.760
		JH14	Round Tube	6-8 weeks	14.00 kg	1.646
Fabric gr. 4	Baru, Fuse, Gentle, Karakorum, Karandash	JH13	Flat Tube	6-8 weeks	14.00 kg	2.327
		JH14	Round Tube	6-8 weeks	14.00 kg	2.214
Leather gr. 1	Tailor	JH13	Flat Tube	6-8 weeks	14.00 kg	1.873
		JH14	Round Tube	6-8 weeks	14.00 kg	1.760
Leather gr. 2	Noble	JH13	Flat Tube	6-8 weeks	14.00 kg	2.214
		JH14	Round Tube	6-8 weeks	14.00 kg	2.100
Fabric COM	COM Fabric	JH13	Flat Tube	6-8 weeks	14.00 kg	1.419
		JH14	Round Tube	6-8 weeks	14.00 kg	1.305

Base	Finish
Flat Tube	Warm Black Powder Coated (RAL 8022)
Round Tube	Warm Black Powder Coated (RAL 8022)

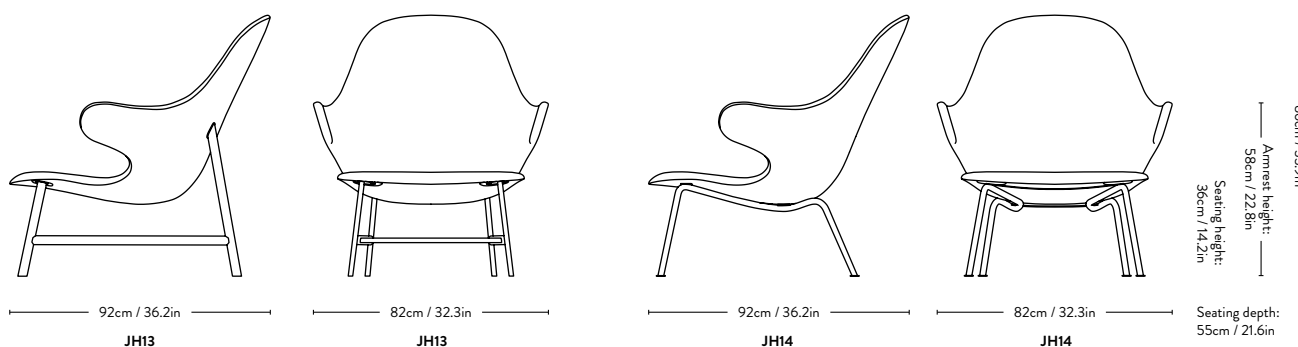
Material: Molded PU foam and HR foam.

Fabric usage: 3 meters based on 140cm roll.

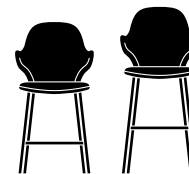
COM must be approved by &Tradition to ensure suitability for upholstery.

Catch JH13 & JH14 are not available in COM leather.

Felt gliders installed as standard.



Catch^{JH16 & JH17} Jaime Hayon 2017



Item no.	Upholstery	Model	Base	Lead time	Weight	PRICE EX. VAT (EUR)
Fabric gr. 1	Canvas, Linara, Remix, Re-Wool	JH16	Tube	6-8 weeks	11.20 kg	840
		JH17	Tube	6-8 weeks	11.50 kg	840
Fabric gr. 2	Clay, Divina Melange, Duke, Fiord, Hallingdal, Loop, Ritz, Ruskin, Steelcut, Steelcut Trio, Tonus, Velvet	JH16	Tube	6-8 weeks	11.20 kg	897
		JH17	Tube	6-8 weeks	11.50 kg	897
Fabric gr. 3	Balder, Sisu, Skai Parotega Artificial leather*, Sunniva, Vidar	JH16	Tube	6-8 weeks	11.20 kg	1.010
		JH17	Tube	6-8 weeks	11.50 kg	1.010
Fabric gr. 4	Baru, Fuse, Gentle, Karakorom, Karandash	JH16	Tube	6-8 weeks	11.20 kg	1.158
		JH17	Tube	6-8 weeks	11.50 kg	1.158
Leather gr. 1	Tailor	JH16	Tube	6-8 weeks	11.20 kg	1.237
		JH17	Tube	6-8 weeks	11.50 kg	1.237
Leather gr. 2	Noble	JH16	Tube	6-8 weeks	11.20 kg	1.442
		JH17	Tube	6-8 weeks	11.50 kg	1.442
Leather gr. 3	Elmo soft leather	JH16	Tube	6-8 weeks	11.20 kg	1.612
		JH17	Tube	6-8 weeks	11.50 kg	1.612
Fabric COM	COM Fabric	JH16	Tube	6-8 weeks	11.20 kg	840
		JH17	Tube	6-8 weeks	11.50 kg	840
Leather COL	COL Leather	JH16	Tube	6-8 weeks	11.20 kg	1.237
		JH17	Tube	6-8 weeks	11.50 kg	1.237

*Skai Parotega Artificial leather:
This product contains 0,1-0,2 % C,C'-azodi (formamide), CAS no. 123-77-3.

Base	Finish
Tube	Powder Coated Black

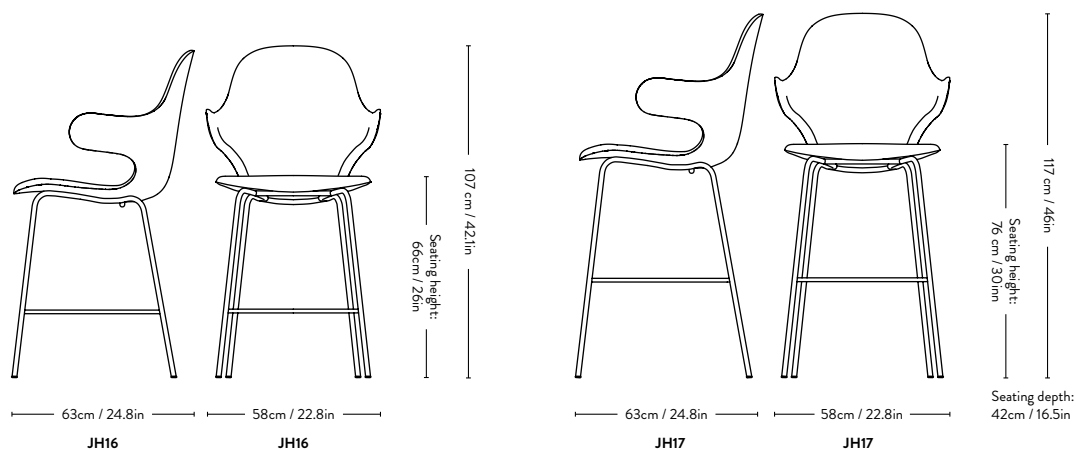
Material: Molded PU foam and HR foam.

Fabric usage: 1.8 meters based on 140cm roll.

Leather usage: 5 square meters.

COM must be approved by &Tradition to ensure suitability for upholstery.

Plastic gliders installed as standard.



Elefy ^{JH28} Jaime Hayon 2019



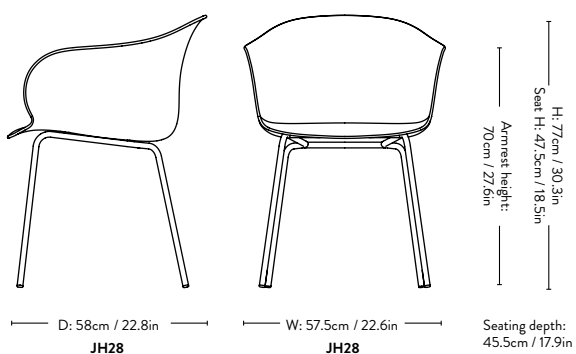
Item code	Product	Model	Base	Lead time	Weight	PRICE EX. VAT (EUR)
JH	Black	JH28	Black	2-3 weeks	7.80 kg	227
JH	White	JH28	Black	2-3 weeks	7.80 kg	227
JH	Soft Beige	JH28	Black	2-3 weeks	7.80 kg	227
JH	Midnight Blue	JH28	Black	2-3 weeks	7.80 kg	227
JH	Copper Brown	JH28	Black	2-3 weeks	7.80 kg	227

Base **Finish**

Steel Tube Black

Material: Polypropylene, steel tube.

Plastic gliders installed as standard.
Felt gliders available upon request.



Elefy JH29

Jaime Hayon

2019



Item code	Upholstery	Model	Base	Lead time	Weight	PRICE EX. VAT (EUR)
Fabric gr. 1	Canvas, Linara, Remix, Re-Wool	JH29	Black	3-6 weeks	7.80 kg	476
Fabric gr. 2	Clay, Divina Melange, Duke, Fiord, Hallingdal, Loop, Ritz, Ruskin, Steelcut, Steelcut Trio, Tonus, Velvet, Zero	JH29	Black	3-6 weeks	7.80 kg	545
Fabric gr. 3	Balder, Sisu, Skai Parotega Artificial leather*, Sunniva, Vidar	JH29	Black	3-6 weeks	7.80 kg	635
Fabric gr. 4	Baru, Fuse, Gentle, Karakorum, Karandash	JH29	Black	3-6 weeks	7.80 kg	851
Leather gr. 1	Tailor	JH29	Black	3-6 weeks	7.80 kg	794
Leather gr. 2	Noble	JH29	Black	3-6 weeks	7.80 kg	840
Leather gr. 3	Elmo soft leather	JH29	Black	3-6 weeks	7.80 kg	885
Fabric COM	COM Fabric	JH29	Black	3-6 weeks	7.80 kg	476
Leather COL	COL Leather	JH29	Black	3-6 weeks	7.80 kg	794

*Skai Parotega Artificial leather:
This product contains 0,1-0,2% C,C'-azodi (formamide), CAS no. 123-77-3.

Base	Finish
Steel Tube	Black, Brass

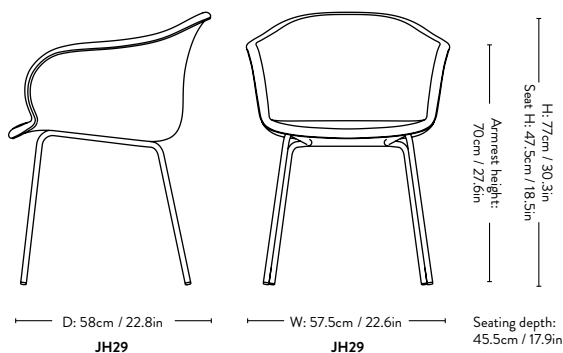
Material: Polypropylene, HR foam, steel tube, fabric or leather upholstery.

Fabric usage: 1.7 meters based on 140cm roll.

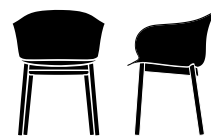
Leather usage: 3 square meters.

COM must be approved by &Tradition to ensure suitability for upholstery.

Plastic gliders installed as standard.
Felt gliders available upon request.



Elefy ^{JH30} Jaime Hayon 2019

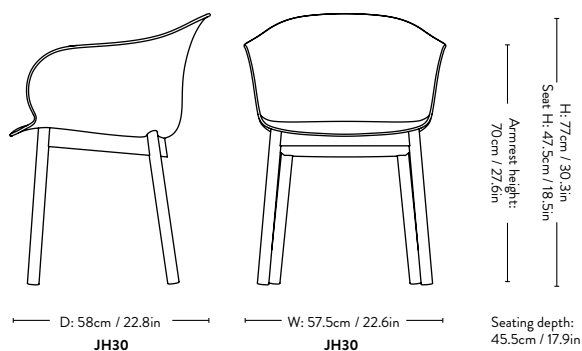


Item code	Product	Model	Base	Lead time	Weight	PRICE EX. VAT (EUR)
JH	Black	JH30	Oak	2-3 weeks	8.80 kg	317
		JH30	Black	2-3 weeks	8.80 kg	317
		JH30	Walnut	2-3 weeks	8.80 kg	351
JH	White	JH30	Oak	2-3 weeks	8.80 kg	317
		JH30	Black	2-3 weeks	8.80 kg	317
		JH30	Walnut	2-3 weeks	8.80 kg	351
JH	Soft Beige	JH30	Oak	2-3 weeks	8.80 kg	317
		JH30	Black	2-3 weeks	8.80 kg	317
		JH30	Walnut	2-3 weeks	8.80 kg	351
JH	Midnight Blue	JH30	Oak	2-3 weeks	8.80 kg	317
		JH30	Black	2-3 weeks	8.80 kg	317
		JH30	Walnut	2-3 weeks	8.80 kg	351
JH	Copper Brown	JH30	Oak	2-3 weeks	8.80 kg	317
		JH30	Black	2-3 weeks	8.80 kg	317
		JH30	Walnut	2-3 weeks	8.80 kg	351

Base	Finish
Solid Oak	Clear or Black Lacquered Oak
Solid Walnut	Lacquered Walnut

Material: Polypropylene, solid wood.

Felt gliders installed as standard.



Elefy^{JH31} Jaime Hayon 2019



Item code	Upholstery	Model	Base	Lead time	Weight	PRICE EX. VAT (EUR)
Fabric gr. 1	Canvas, Linara, Remix, Re-Wool	JH31	Lacquered Oak	3-6 weeks	8.80 kg	567
		JH31	Black Lacquered Oak	3-6 weeks	8.80 kg	567
		JH31	Walnut	3-6 weeks	8.80 kg	601
Fabric gr. 2	Clay, Divina Melange, Duke, Fiord, Hallingdal, Loop, Ritz, Ruskin, Steelcut, Steelcut Trio, Tonus, Velvet, Zero	JH31	Lacquered Oak	3-6 weeks	8.80 kg	635
		JH31	Black Lacquered Oak	3-6 weeks	8.80 kg	635
		JH31	Walnut	3-6 weeks	8.80 kg	669
Fabric gr. 3	Balder, Sisu, Skai Parotega Artificial leather*, Sunniva, Vidar	JH31	Lacquered Oak	3-6 weeks	8.80 kg	726
		JH31	Black Lacquered Oak	3-6 weeks	8.80 kg	726
		JH31	Walnut	3-6 weeks	8.80 kg	760
Fabric gr. 4	Baru, Fuse, Gentle, Karakorum, Karandash	JH31	Lacquered Oak	3-6 weeks	8.80 kg	942
		JH31	Black Lacquered Oak	3-6 weeks	8.80 kg	942
		JH31	Walnut	3-6 weeks	8.80 kg	976
Leather gr. 1	Tailor	JH31	Lacquered Oak	3-6 weeks	8.80 kg	885
		JH31	Black Lacquered Oak	3-6 weeks	8.80 kg	885
		JH31	Walnut	3-6 weeks	8.80 kg	919
Leather gr. 2	Noble	JH31	Lacquered Oak	3-6 weeks	8.80 kg	931
		JH31	Black Lacquered Oak	3-6 weeks	8.80 kg	931
		JH31	Walnut	3-6 weeks	8.80 kg	965
Leather gr. 3	Elmo soft leather	JH31	Lacquered Oak	3-6 weeks	8.80 kg	976
		JH31	Black Lacquered Oak	3-6 weeks	8.80 kg	976
		JH31	Walnut	3-6 weeks	8.80 kg	1.010
Fabric COM	COM Fabric	JH31	Lacquered Oak	3-6 weeks	8.80 kg	567
		JH31	Black Lacquered Oak	3-6 weeks	8.80 kg	567
		JH31	Walnut	3-6 weeks	8.80 kg	601
Leather COL	COL Leather	JH31	Lacquered Oak	3-6 weeks	8.80 kg	885
		JH31	Black Lacquered Oak	3-6 weeks	8.80 kg	885
		JH31	Walnut	3-6 weeks	8.80 kg	919

*Skai Parotega Artificial leather:
This product contains 0,1-0,2% C,C'-azodi (formamide), CAS no. 123-77-3.

Base	Finish
Solid Oak	Clear or Black Lacquered Oak
Solid Walnut	Lacquered Walnut

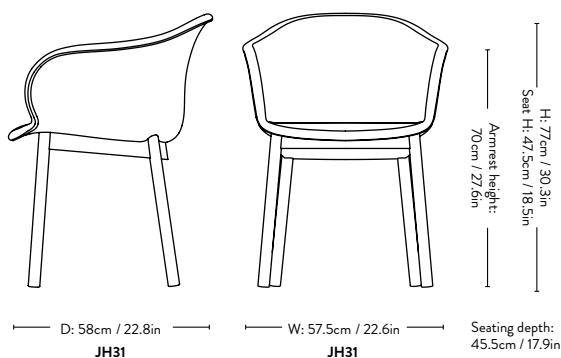
Material: Polypropylene, HR foam, solid wood, fabric or leather upholstery.

Fabric usage: 1.7 meters based on 140cm roll.

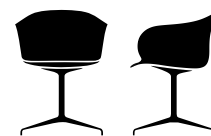
Leather usage: 3 square meters.

COM must be approved by &Tradition to ensure suitability for upholstery.

Felt gliders installed as standard.



Elefy ^{JH32} Jaime Hayon 2020



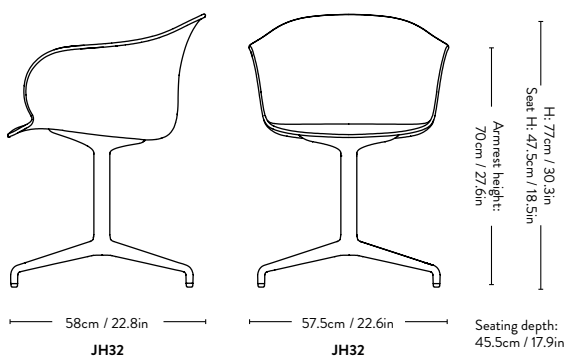
Item code	Product	Model	Base	Lead time	Weight	PRICE EX. VAT (EUR)
JH	Black	JH32	Black	2-3 weeks	9.00 kg	340
		JH32	Polished Aluminium	2-3 weeks	9.00 kg	340
JH	White	JH32	Black	2-3 weeks	9.00 kg	340
		JH32	Polished Aluminium	2-3 weeks	9.00 kg	340
JH	Soft Beige	JH32	Black	2-3 weeks	9.00 kg	340
		JH32	Polished Aluminium	2-3 weeks	9.00 kg	340
JH	Midnight Blue	JH32	Black	2-3 weeks	9.00 kg	340
		JH32	Polished Aluminium	2-3 weeks	9.00 kg	340
JH	Copper Brown	JH32	Black	2-3 weeks	9.00 kg	340
		JH32	Polished Aluminium	2-3 weeks	9.00 kg	340

Base	Finish
Swivel	Black, Polished Aluminium

Material: Polypropylene and aluminium.

Plastic gliders installed as standard.

Felt gliders are available upon request.



Elefy JH33

Jaime Hayon

2020



Item code	Upholstery	Model	Base	Lead time	Weight	PRICE EX. VAT (EUR)
Fabric gr. 1	Canvas, Linara, Remix, Re-Wool	JH33	Black	3-6 weeks	10.70 kg	590
		JH33	Polished Aluminium	3-6 weeks	10.70 kg	590
Fabric gr. 2	Clay, Divina Melange, Duke, Fiord, Hallingdal, Loop, Ritz, Ruskin, Steelcut, Steelcut Trio, Tonus, Velvet, Zero	JH33	Black	3-6 weeks	10.70 kg	658
		JH33	Polished Aluminium	3-6 weeks	10.70 kg	658
Fabric gr. 3	Balder, Sisu, Skai Parotega Artificial leather*, Sunniva, Vidar	JH33	Black	3-6 weeks	10.70 kg	749
		JH33	Polished Aluminium	3-6 weeks	10.70 kg	749
Fabric gr. 4	Baru, Fuse, Gentle, Karakorum, Karandash	JH33	Black	3-6 weeks	10.70 kg	965
		JH33	Polished Aluminium	3-6 weeks	10.70 kg	965
Leather gr. 1	Tailor	JH33	Black	3-6 weeks	10.70 kg	908
		JH33	Polished Aluminium	3-6 weeks	10.70 kg	908
Leather gr. 2	Noble	JH33	Black	3-6 weeks	10.70 kg	953
		JH33	Polished Aluminium	3-6 weeks	10.70 kg	953
Leather gr. 3	Elmo soft leather	JH33	Black	3-6 weeks	10.70 kg	999
		JH33	Polished Aluminium	3-6 weeks	10.70 kg	999
Fabric COM	COM Fabric	JH33	Black	3-6 weeks	10.70 kg	590
		JH33	Polished Aluminium	3-6 weeks	10.70 kg	590
Leather COL	COL Leather	JH33	Black	3-6 weeks	10.70 kg	908
		JH33	Polished Aluminium	3-6 weeks	10.70 kg	908

*Skai Parotega Artificial leather:
This product contains 0,1-0,2% C,C'-azodi (formamide), CAS no. 123-77-3.

Base	Finish
Swivel	Black, Polished Aluminium

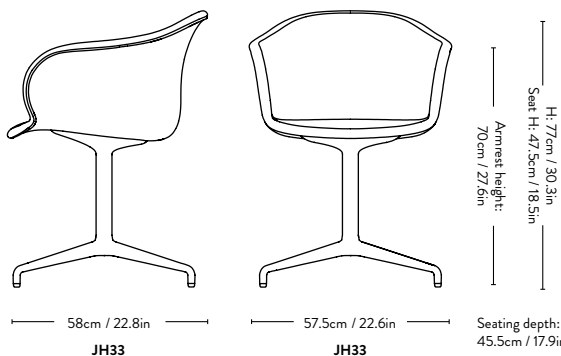
Material: Polypropylene, HR foam, aluminium swivel base, fabric or leather upholstery.

Fabric usage: 1.7 meters based on 140cm roll.

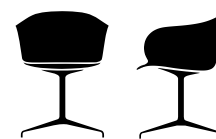
Leather usage: 3 square meters.

COM must be approved by &Tradition to ensure suitability for upholstery.

Plastic gliders installed as standard.
Felt gliders available upon request.



Elefy ^{JH34} Jaime Hayon 2020

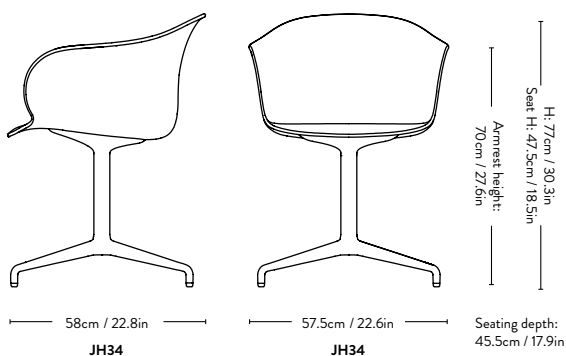


Item code	Product	Model	Base	Lead time	Weight	PRICE EX. VAT (EUR)
JH	Black	JH34	Black	2-3 weeks	9.00 kg	386
		JH34	Polished Aluminium	2-3 weeks	9.00 kg	386
JH	White	JH34	Black	2-3 weeks	9.00 kg	386
		JH34	Polished Aluminium	2-3 weeks	9.00 kg	386
JH	Soft Beige	JH34	Black	2-3 weeks	9.00 kg	386
		JH34	Polished Aluminium	2-3 weeks	9.00 kg	386
JH	Midnight Blue	JH34	Black	2-3 weeks	9.00 kg	386
		JH34	Polished Aluminium	2-3 weeks	9.00 kg	386
JH	Copper Brown	JH34	Black	2-3 weeks	9.00 kg	386
		JH34	Polished Aluminium	2-3 weeks	9.00 kg	386

Base	Finish
Swivel	Black, Polished Aluminium

Material: Polypropylene and aluminium swivel base with return function.

Plastic gliders installed as standard.
Felt gliders are available upon request.



Elefy^{JH35} Jaime Hayon 2020



Item code	Upholstery	Model	Base	Lead time	Weight	PRICE EX. VAT (EUR)
Fabric gr. 1	Canvas, Linara, Remix, Re-Wool	JH35	Black	3-6 weeks	10.70 kg	635
		JH35	Polished Aluminium	3-6 weeks	10.70 kg	635
Fabric gr. 2	Clay, Divina Melange, Duke, Fiord, Hallingdal, Loop, Ritz, Ruskin, Steelcut, Steelcut Trio, Tonus, Velvet, Zero	JH35	Black	3-6 weeks	10.70 kg	703
		JH35	Polished Aluminium	3-6 weeks	10.70 kg	703
Fabric gr. 3	Balder, Sisu, Skai Parotega Artificial leather*, Sunniva, Vidar	JH35	Black	3-6 weeks	10.70 kg	794
		JH35	Polished Aluminium	3-6 weeks	10.70 kg	794
Fabric gr. 4	Baru, Fuse, Gentle, Karakorum, Karandash	JH35	Black	3-6 weeks	10.70 kg	1.010
		JH35	Polished Aluminium	3-6 weeks	10.70 kg	1.010
Leather gr. 1	Tailor	JH35	Black	3-6 weeks	10.70 kg	953
		JH35	Polished Aluminium	3-6 weeks	10.70 kg	953
Leather gr. 2	Noble	JH35	Black	3-6 weeks	10.70 kg	999
		JH35	Polished Aluminium	3-6 weeks	10.70 kg	999
Leather gr. 3	Elmo soft leather	JH35	Black	3-6 weeks	10.70 kg	1.044
		JH35	Polished Aluminium	3-6 weeks	10.70 kg	1.044
Fabric COM	COM Fabric	JH35	Black	3-6 weeks	10.70 kg	635
		JH35	Polished Aluminium	3-6 weeks	10.70 kg	635
Leather COL	COL Leather	JH35	Black	3-6 weeks	10.70 kg	953
		JH35	Polished Aluminium	3-6 weeks	10.70 kg	953

*Skai Parotega Artificial leather:
This product contains 0,1-0,2% C,C'-azodi (formamide), CAS no. 123-77-3.

Base	Finish
Swivel	Black, Polished Aluminium

Material: Polypropylene, HR foam, aluminium swivel base, fabric or leather upholstery.

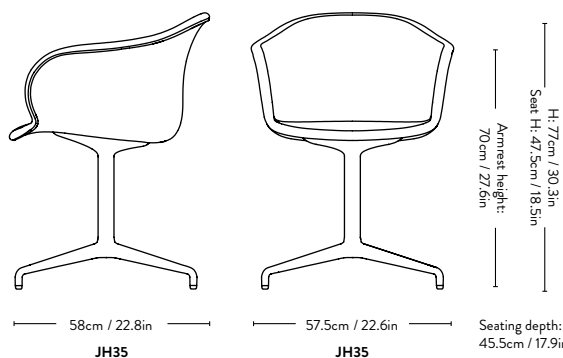
Fabric usage: 1.7 meters based on 140cm roll.

Leather usage: 3 square meters.

COM must be approved by &Tradition to ensure suitability for upholstery.

Plastic gliders installed as standard.

Felt gliders available upon request.



Elefy ^{JH36} Jaime Hayon 2020

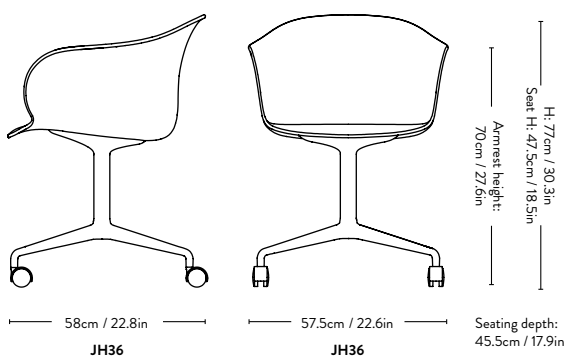


Item code	Product	Model	Base	Lead time	Weight	PRICE EX. VAT (EUR)
JH	Black	JH36	Black	2-3 weeks	9.50 kg	386
		JH36	Polished Aluminium	2-3 weeks	9.50 kg	386
JH	White	JH36	Black	2-3 weeks	9.50 kg	386
		JH36	Polished Aluminium	2-3 weeks	9.50 kg	386
JH	Soft Beige	JH36	Black	2-3 weeks	9.50 kg	386
		JH36	Polished Aluminium	2-3 weeks	9.50 kg	386
JH	Midnight Blue	JH36	Black	2-3 weeks	9.50 kg	386
		JH36	Polished Aluminium	2-3 weeks	9.50 kg	386
JH	Copper Brown	JH36	Black	2-3 weeks	9.50 kg	386
		JH36	Polished Aluminium	2-3 weeks	9.50 kg	386

Base	Finish
Swivel	Black, Polished Aluminium

Material: Polypropylene and aluminium base with castors.

Castors in matching colour are installed as standard.



Elefy ^{JH37} Jaime Hayon 2020



Item code	Upholstery	Model	Base	Lead time	Weight	PRICE EX. VAT (EUR)
Fabric gr. 1	Canvas, Linara, Remix, Re-Wool	JH37	Black	3-6 weeks	11.50 kg	635
		JH37	Polished Aluminium	3-6 weeks	11.50 kg	635
Fabric gr. 2	Clay, Divina Melange, Duke, Fiord, Hallingdal, Loop, Ritz, Ruskin, Steelcut, Steelcut Trio, Tonus, Velvet, Zero	JH37	Black	3-6 weeks	11.50 kg	703
		JH37	Polished Aluminium	3-6 weeks	11.50 kg	703
Fabric gr. 3	Balder, Sisu, Skai Parotega Artificial leather*, Sunniva, Vidar	JH37	Black	3-6 weeks	11.50 kg	794
		JH37	Polished Aluminium	3-6 weeks	11.50 kg	794
Fabric gr. 4	Baru, Fuse, Gentle, Karakorum, Karandash	JH37	Black	3-6 weeks	11.50 kg	1.010
		JH37	Polished Aluminium	3-6 weeks	11.50 kg	1.010
Leather gr. 1	Tailor	JH37	Black	3-6 weeks	11.50 kg	953
		JH37	Polished Aluminium	3-6 weeks	11.50 kg	953
Leather gr. 2	Noble	JH37	Black	3-6 weeks	11.50 kg	999
		JH37	Polished Aluminium	3-6 weeks	11.50 kg	999
Leather gr. 3	Elmo soft leather	JH37	Black	3-6 weeks	11.50 kg	1.044
		JH37	Polished Aluminium	3-6 weeks	11.50 kg	1.044
Fabric COM	COM Fabric	JH37	Black	3-6 weeks	11.50 kg	635
		JH37	Polished Aluminium	3-6 weeks	11.50 kg	635
Leather COL	COL Leather	JH37	Black	3-6 weeks	11.50 kg	953
		JH37	Polished Aluminium	3-6 weeks	11.50 kg	953

*Skai Parotega Artificial leather:
This product contains 0,1-0,2% C,C'-azodi (formamide), CAS no. 123-77-3.

Base	Finish
Swivel	Black, Polished Aluminium

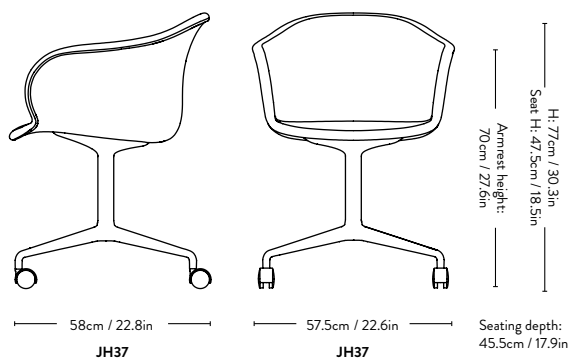
Material: Polypropylene, HR foam, aluminium base with castors, fabric or leather upholstery.

Fabric usage: 1.7 meters based on 140cm roll.

Leather usage: 3 square meters.

COM must be approved by &Tradition to ensure suitability for upholstery.

Castors in matching colour are installed as standard.



In Between ^{SK1} Sami Kallio 2013



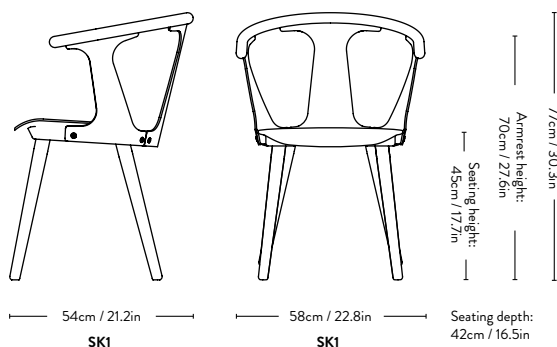
Item code	Product	Model	Colli qty.	Lead time	Weight	PRICE EX. VAT (EUR)
82010100	Smoked Oiled Oak	SK1	2 pcs	Stock item	7.00 kg	374
82010192	Oiled Oak	SK1	2 pcs	Stock item	7.00 kg	374
82010194	Black Lacquered Oak	SK1	2 pcs	Stock item	7.00 kg	374
82010196	Oiled Walnut	SK1	2 pcs	Stock item	7.00 kg	510

Frame **Finish**

Oak	Oiled Oak, Smoked Oiled Oak, Black Lacquered Oak
Walnut	Oiled Walnut

Material: Solid wood and formpressed veneer.

Felt gliders installed as standard.



In Between ^{SK2} Sami Kallio 2013



Item code	Product	Model	Colli qty.	Lead time	Weight	PRICE EX. VAT (EUR)
82010310	Oiled Oak w. Fiord 251	SK2	2 pcs	Stock item	7.00 kg	454
82010312	Black Lacquered Oak w. Fiord 191	SK2	2 pcs	Stock item	7.00 kg	454
82010311	Smoked Oiled Oak w. Fiord 171	SK2	2 pcs	Stock item	7.00 kg	454
82010320	Oiled Oak w. Cognac Silk leather	SK2	2 pcs	Stock item	7.00 kg	556
82010325	Black Lacquered Oak w. Black Silk leather	SK2	2 pcs	Stock item	7.00 kg	556
82010330	Smoked Oiled Oak w. Black Silk leather	SK2	2 pcs	Stock item	7.00 kg	556

Item code	Product	Model	Base	Lead time	Weight	PRICE EX. VAT (EUR)
Fabric gr. 1	Canvas, Linara, Maple, Remix, Re-Wool	SK2	Oak	6-8 weeks	7.00 kg	454
			Walnut	6-8 weeks	7.00 kg	601
Fabric gr. 2	Clay, Divina Melange, Duke, Fiord, Hallingdal, Loop, Ritz, Ruskin, Steelcut, Steelcut Trio, Tonus, Velvet, Zero	SK2	Oak	6-8 weeks	7.00 kg	510
			Walnut	6-8 weeks	7.00 kg	658
Fabric gr. 3	Balder, Harald, Sisu, Skai Parotega Artificial leather*, Sunniva, Vidar	SK2	Oak	6-8 weeks	7.00 kg	545
			Walnut	6-8 weeks	7.00 kg	692
Fabric gr. 4	Atlas, Baru, Fuse, Karakorom, Karandash, Serafino	SK2	Oak	6-8 weeks	7.00 kg	567
			Walnut	6-8 weeks	7.00 kg	715
Leather gr. 1	Tailor	SK2	Oak	6-8 weeks	7.00 kg	545
			Walnut	6-8 weeks	7.00 kg	692
Leather gr. 2	Noble	SK2	Oak	6-8 weeks	7.00 kg	567
			Walnut	6-8 weeks	7.00 kg	715
Leather gr. 3	Elmo soft leather	SK2	Oak	6-8 weeks	7.00 kg	601
			Walnut	6-8 weeks	7.00 kg	749
Fabric/ Leather COM	COM (Fabric & Leather)	SK2	Oak	6-8 weeks	7.00 kg	454
			Walnut	6-8 weeks	7.00 kg	601

*Skai Parotega Artificial leather:
This product contains 0,1-0,2% C,C'-azodi (formamide), CAS no. 123-77-3.

Frame	Finish
Oak	Oiled Oak, Smoked Oiled Oak, Black Lacquered Oak
Walnut	Oiled Walnut

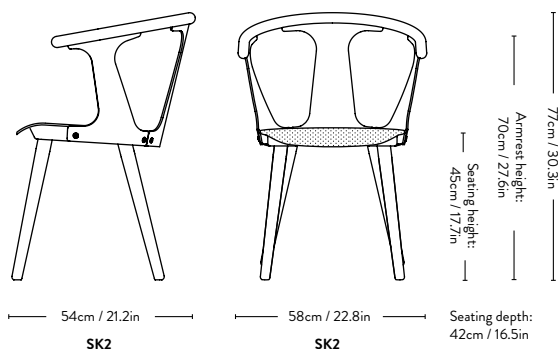
Material: Solid wood, formpressed veneer and HR foam.

Fabric usage: 0.36 meter based on a 140 cm roll.

Leather usage: 0.36 sqm.

COM must be approved by &Tradition to ensure suitability for upholstery.

Felt gliders installed as standard.



In Between SK7 & SK8

Sami Kallio

2017



Item code	Product	Model	Colli qty.	Lead time	Weight	PRICE EX. VAT (EUR)
82030700	Smoked Oiled Oak	SK7	1 pc	Stock item	6.50 kg	454
82030792	Oiled Oak	SK7	1 pc	Stock item	6.50 kg	454
82030794	Black Lacquered Oak	SK7	1 pc	Stock item	6.50 kg	454

Item code	Upholstery	Model	Lead time	Weight	PRICE EX. VAT (EUR)
Fabric gr. 1	Canvas, Linara, Maple, Remix, Re-Wool	SK8	6-8 weeks	7.00 kg	545
Fabric gr. 2	Clay, Divina Melange, Duke, Fiord, Hallingdal, Loop, Ritz, Ruskin, Steelcut, Steelcut Trio, Tonus, Velvet, Zero	SK8	6-8 weeks	7.00 kg	590
Fabric gr. 3	Balder, Harald, Sisu, Skai Parotega Artificial leather*, Sunniva, Vidar	SK8	6-8 weeks	7.00 kg	601
Fabric gr. 4	Atlas, Baru, Fuse, Karakorum, Karandash, Serafino	SK8	6-8 weeks	7.00 kg	647
Leather gr. 1	Tailor	SK8	6-8 weeks	7.00 kg	624
Leather gr. 2	Noble	SK8	6-8 weeks	7.00 kg	647
Leather gr. 3	Elmo soft leather	SK8	6-8 weeks	7.00 kg	681
Fabric/ Leather COM	COM (Fabric & Leather)	SK8	6-8 weeks	7.00 kg	545

*Skai Parotega Artificial leather:
This product contains 0,1-0,2% C,C'-azodi (formamide), CAS no. 123-77-3.

Frame	Finish
Wood	Oiled Oak, Smoked Oiled Oak, Black Lacquered Oak

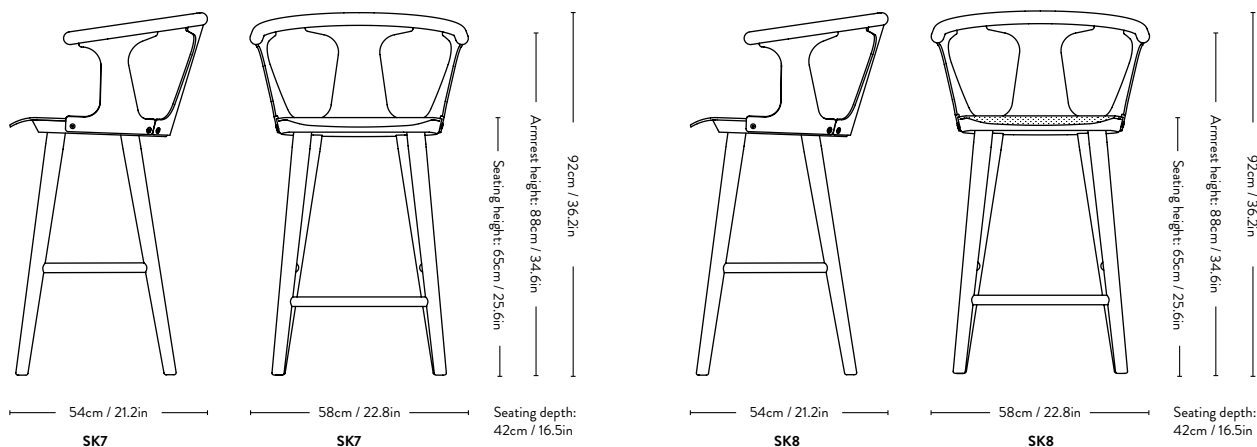
Material: Solid wood, formpressed veneer and HR foam.

Fabric usage: 0.36 meter based on a 140 cm roll.

Leather usage: 0.36 sqm.

COM must be approved by &Tradition to ensure suitability for upholstery.

Felt gliders installed as standard.



In Between ^{SK9 & SK10} Sami Kallio 2017



Item code	Product	Model	Colli qty.	Lead time	Weight	PRICE EX. VAT (EUR)
82030800	Smoked Oiled Oak	SK9	1 pc	Stock item	6.50 kg	454
82030892	Oiled Oak	SK9	1 pc	Stock item	6.50 kg	454
82030894	Black Lacquered Oak	SK9	1 pc	Stock item	6.50 kg	454

Item code	Upholstery	Model	Lead time	Weight	PRICE EX. VAT (EUR)
Fabric gr. 1	Canvas, Linara, Maple, Remix, Re-Wool	SK10	6-8 weeks	7.00 kg	545
Fabric gr. 2	Clay, Divina Melange, Duke, Fiord, Hallingdal, Loop, Ritz, Ruskin, Steelcut, Steelcut Trio, Tonus, Velvet, Zero	SK10	6-8 weeks	7.00 kg	590
Fabric gr. 3	Balder, Harald, Sisu, Skai Parotega Artificial leather*, Sunniva, Vidar	SK10	6-8 weeks	7.00 kg	601
Fabric gr. 4	Atlas, Baru, Fuse, Karakorum, Karandash, Serafino	SK10	6-8 weeks	7.00 kg	647
Leather gr. 1	Tailor	SK10	6-8 weeks	7.00 kg	624
Leather gr. 2	Noble	SK10	6-8 weeks	7.00 kg	647
Leather gr. 3	Elmo soft leather	SK10	6-8 weeks	7.00 kg	681
Fabric/ Leather COM	COM (Fabric & Leather)	SK10	6-8 weeks	7.00 kg	545

*Skai Parotega Artificial leather:
This product contains 0,1-0,2 % C,C'-azodi (formamide), CAS no. 123-77-3.

Frame	Finish
Wood	Oiled Oak, Smoked Oiled Oak, Black Lacquered Oak

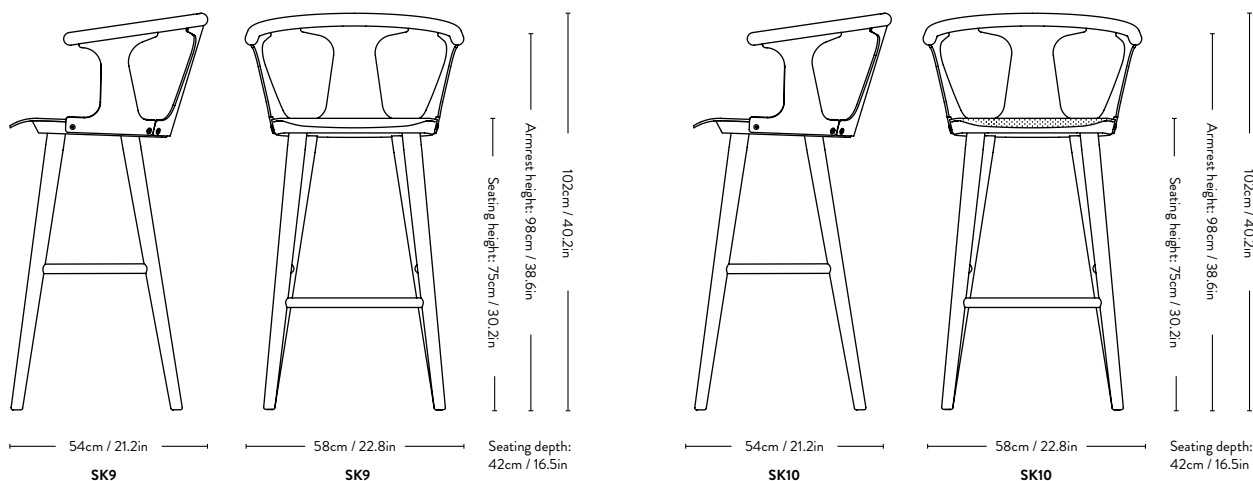
Material: Solid wood, formpressed veneer and HR foam.

Fabric usage: 0.36 meter based on a 140 cm roll.

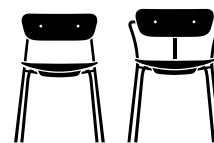
Leather usage: 0.36 sqm.

COM must be approved by &Tradition to ensure suitability for upholstery.

Felt gliders installed as standard.



Pavilion AV1 & AV2 Anderssen & Voll 2018



Item code	Product	Model	Base	Colli qty.	Lead time	Weight	PRICE EX. VAT (EUR)
50010092	Lacquered Oak	AV1	Black	2 pcs	Stock item	7.50 kg	283
50010094	Black Lacquered Oak	AV1	Black	2 pcs	Stock item	7.50 kg	283
50010096	Lacquered Walnut	AV1	Black	2 pcs	Stock item	7.50 kg	295
50010193	Clear or Black Lacquered Oak	AV1	Chrome	2 pcs	6-8 weeks	7.50 kg	306
50010197	Lacquered Walnut	AV1	Chrome	2 pcs	6-8 weeks	7.50 kg	317
50020092	Lacquered Oak	AV2	Black	2 pcs	Stock item	8.50 kg	317
50020094	Black Lacquered Oak	AV2	Black	2 pcs	Stock item	8.50 kg	317
50020096	Lacquered Walnut	AV2	Black	2 pcs	Stock item	8.50 kg	329
50021192	Clear or Black Lacquered Oak	AV2	Chrome	2 pcs	6-8 weeks	8.50 kg	351
50021196	Lacquered Walnut	AV2	Chrome	2 pcs	6-8 weeks	8.50 kg	363

Item code	Product	Model	Base	Colli qty.	Lead time	Weight	PRICE EX. VAT (EUR)
50099990	Pavilion Stacking Trolley				Stock item	20.00 kg	908
50010001	Pavilion chair hanger *can only be used for AV1, AV3 & AV12				6-8 weeks		22

Frame	Seat & back
Black	Lacquered Oak, Black Lacquered Oak, Lacquered Walnut
Chrome	Clear or Black Lacquered Oak, Lacquered Walnut

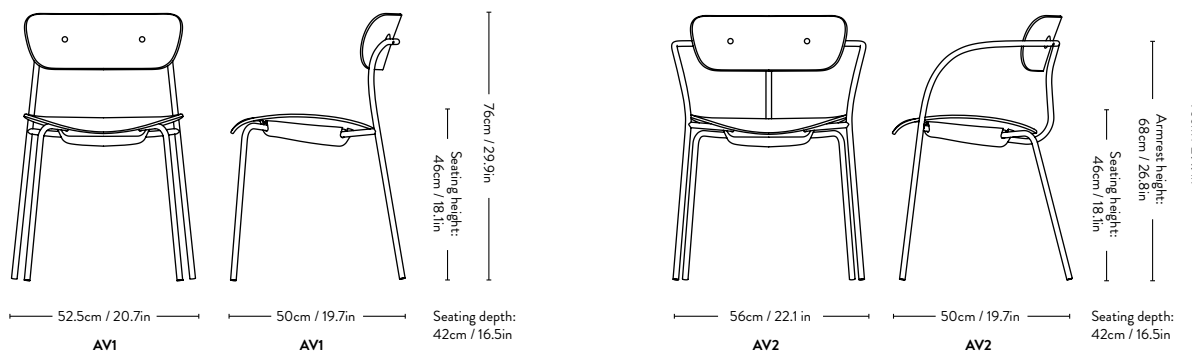
Material: Steel tubes and formpressed veneer.

Plastic gliders installed as standard.
Felt gliders available upon request (6-8 weeks lead time).

Black base: Black fittings for the front side of the back rest installed as standard. Brass & Chrome fittings available upon request.

Chrome base: Chrome fittings for the front side of the back rest installed as standard. Brass & Black fittings available upon request.

Stackable chair.
With trolley: 12 pcs / Without trolley: 10 pcs



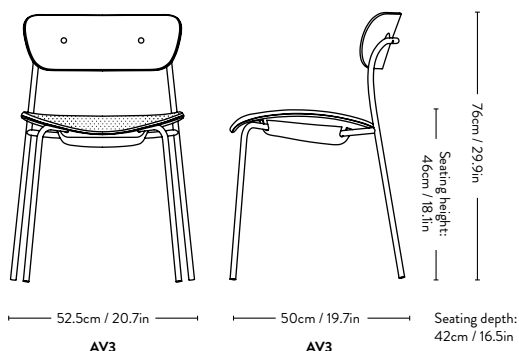
Pavilion ^{AV3} Anderssen & Voll 2018



Item code	Upholstery	Model	Base	Finish	Lead time	Weight	PRICE EX. VAT (EUR)
Fabric gr. 1	Canvas, Linara, Maple, Remix, Re-Wool	AV3	Black	Black or Lacquered Oak	6-8 weeks	8.00 kg	340
		AV3	Black	Lacquered Walnut	6-8 weeks	8.00 kg	351
		AV3	Chrome	Black or Lacquered Oak	6-8 weeks	8.00 kg	363
		AV3	Chrome	Lacquered Walnut	6-8 weeks	8.00 kg	374
Fabric gr. 2	Clay, Divina Melange, Duke, Fiord, Hallingdal, Loop, Ritz, Ruskin, Steelcut, Steelcut Trio, Velvet, Zero	AV3	Black	Black or Lacquered Oak	6-8 weeks	8.00 kg	397
		AV3	Black	Lacquered Walnut	6-8 weeks	8.00 kg	408
		AV3	Chrome	Black or Lacquered Oak	6-8 weeks	8.00 kg	420
		AV3	Chrome	Lacquered Walnut	6-8 weeks	8.00 kg	431
Fabric gr. 3	Balder, Harald, Sisu, Skai Parotega Artificial leather*, Sunniva, Vidar	AV3	Black	Black or Lacquered Oak	6-8 weeks	8.00 kg	408
		AV3	Black	Lacquered Walnut	6-8 weeks	8.00 kg	420
		AV3	Chrome	Black or Lacquered Oak	6-8 weeks	8.00 kg	431
		AV3	Chrome	Lacquered Walnut	6-8 weeks	8.00 kg	442
Fabric gr. 4	Atlas, Baru, Fuse, Karakorum, Karandash, Serafino	AV3	Black	Black or Lacquered Oak	6-8 weeks	8.00 kg	454
		AV3	Black	Lacquered Walnut	6-8 weeks	8.00 kg	465
		AV3	Chrome	Black or Lacquered Oak	6-8 weeks	8.00 kg	476
		AV3	Chrome	Lacquered Walnut	6-8 weeks	8.00 kg	488
Leather gr. 1	Tailor	AV3	Black	Black or Lacquered Oak	6-8 weeks	8.00 kg	431
		AV3	Black	Lacquered Walnut	6-8 weeks	8.00 kg	442
		AV3	Chrome	Black or Lacquered Oak	6-8 weeks	8.00 kg	454
		AV3	Chrome	Lacquered Walnut	6-8 weeks	8.00 kg	465
Leather gr. 2	Noble	AV3	Black	Black or Lacquered Oak	6-8 weeks	8.00 kg	454
		AV3	Black	Lacquered Walnut	6-8 weeks	8.00 kg	465
		AV3	Chrome	Black or Lacquered Oak	6-8 weeks	8.00 kg	476
		AV3	Chrome	Lacquered Walnut	6-8 weeks	8.00 kg	488
Leather gr. 3	Elmo soft leather	AV3	Black	Black or Lacquered Oak	6-8 weeks	8.00 kg	488
		AV3	Black	Lacquered Walnut	6-8 weeks	8.00 kg	499
		AV3	Chrome	Black or Lacquered Oak	6-8 weeks	8.00 kg	510
		AV3	Chrome	Lacquered Walnut	6-8 weeks	8.00 kg	522
Fabric/Leather COM	COM (Fabric & Leather)	AV3	Black	Black or Lacquered Oak	6-8 weeks	8.00 kg	340
		AV3	Black	Lacquered Walnut	6-8 weeks	8.00 kg	351
		AV3	Chrome	Black or Lacquered Oak	6-8 weeks	8.00 kg	363
		AV3	Chrome	Lacquered Walnut	6-8 weeks	8.00 kg	374

Item code	Product	Model	Base	Colli qty.	Lead time	Weight	PRICE EX. VAT (EUR)
50099990	Pavilion Stacking Trolley				Stock item	20.00 kg	908
50010001	Pavilion chair hanger *can only be used for AV1, AV3 & AV12				6-8 weeks		22

*Skai Parotega Artificial leather:
This product contains 0,1-0,2% C,C'-azodi (formamide), CAS no. 123-77-3.



Material: Steel tubes, formpressed veneer, HR foam, fabric or leather upholstery.

Fabric usage: 0.45 meters based on 140cm roll.

Leather usage: 0.55 square meters.

COM must be approved by Tradition to ensure suitability for upholstery.

Plastic gliders installed as standard. Felt gliders available upon request.

Black base: Black fittings for the front side of the back rest installed as standard. Brass & Chrome fittings available upon request.

Chrome base: Chrome fittings for the front side of the back rest installed as standard. Brass & Black fittings available upon request.

Stackable chair.

With trolley: 10 pcs / Without trolley: 8 pcs

Pavilion AV4 Anderssen & Voll 2018



Item code	Upholstery	Model	Base	Finish	Lead time	Weight	PRICE EX. VAT (EUR)
Fabric gr. 1	Canvas, Linara, Maple, Remix, Re-Wool	AV4	Black	Black or Lacquered Oak	6-8 weeks	9.00 kg	397
		AV4	Black	Lacquered Walnut	6-8 weeks	9.00 kg	408
		AV4	Chrome	Black or Lacquered Oak	6-8 weeks	9.00 kg	431
		AV4	Chrome	Lacquered Walnut	6-8 weeks	9.00 kg	442
Fabric gr. 2	Clay, Divina Melange, Duke, Fiord, Hallingdal, Loop, Ritz, Ruskin, Steelcut, Steelcut Trio, Velvet, Zero	AV4	Black	Black or Lacquered Oak	6-8 weeks	9.00 kg	454
		AV4	Black	Lacquered Walnut	6-8 weeks	9.00 kg	465
		AV4	Chrome	Black or Lacquered Oak	6-8 weeks	9.00 kg	488
		AV4	Chrome	Lacquered Walnut	6-8 weeks	9.00 kg	499
Fabric gr. 3	Balder, Harald, Sisu, Skai Parotega Artificial leather*, Sunniva, Vidar	AV4	Black	Black or Lacquered Oak	6-8 weeks	9.00 kg	465
		AV4	Black	Lacquered Walnut	6-8 weeks	9.00 kg	476
		AV4	Chrome	Black or Lacquered Oak	6-8 weeks	9.00 kg	499
		AV4	Chrome	Lacquered Walnut	6-8 weeks	9.00 kg	510
Fabric gr. 4	Atlas, Baru, Fuse, Karakorum, Karandash, Serafino	AV4	Black	Black or Lacquered Oak	6-8 weeks	9.00 kg	510
		AV4	Black	Lacquered Walnut	6-8 weeks	9.00 kg	522
		AV4	Chrome	Black or Lacquered Oak	6-8 weeks	9.00 kg	545
		AV4	Chrome	Lacquered Walnut	6-8 weeks	9.00 kg	556
Leather gr. 1	Tailor	AV4	Black	Black or Lacquered Oak	6-8 weeks	9.00 kg	488
		AV4	Black	Lacquered Walnut	6-8 weeks	9.00 kg	499
		AV4	Chrome	Black or Lacquered Oak	6-8 weeks	9.00 kg	522
		AV4	Chrome	Lacquered Walnut	6-8 weeks	9.00 kg	533
Leather gr. 2	Noble	AV4	Black	Black or Lacquered Oak	6-8 weeks	9.00 kg	510
		AV4	Black	Lacquered Walnut	6-8 weeks	9.00 kg	522
		AV4	Chrome	Black or Lacquered Oak	6-8 weeks	9.00 kg	545
		AV4	Chrome	Lacquered Walnut	6-8 weeks	9.00 kg	556
Leather gr. 3	Elmo soft leather	AV4	Black	Black or Lacquered Oak	6-8 weeks	9.00 kg	545
		AV4	Black	Lacquered Walnut	6-8 weeks	9.00 kg	669
		AV4	Chrome	Black or Lacquered Oak	6-8 weeks	9.00 kg	579
		AV4	Chrome	Lacquered Walnut	6-8 weeks	9.00 kg	590
Fabric/ Leather COM	COM (Fabric & Leather)	AV4	Black	Black or Lacquered Oak	6-8 weeks	9.00 kg	397
		AV4	Black	Lacquered Walnut	6-8 weeks	9.00 kg	408
		AV4	Chrome	Black or Lacquered Oak	6-8 weeks	9.00 kg	431
		AV4	Chrome	Lacquered Walnut	6-8 weeks	9.00 kg	442

Item code	Product	Lead time	Weight	PRICE EX. VAT (EUR)
50099990	Pavilion Stacking Trolley	Stock item	20.00 kg	908

*Skai Parotega Artificial leather:
This product contains 0,1-0,2% C,C'-azodi (formamide), CAS no. 123-77-3.

Material: Steel tubes, formpressed veneer, HR foam, fabric or leather upholstery.

Fabric usage: 0.45 meters based on 140cm roll.

Leather usage: 0.55 square meters.

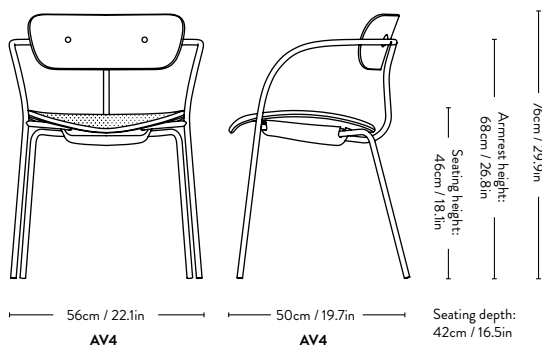
COM must be approved by Tradition to ensure suitability for upholstery.

Plastic gliders installed as standard. Felt gliders available upon request.

Black base: Black fittings for the front side of the back rest installed as standard.
Brass & Chrome fittings available upon request.

Chrome base: Chrome fittings for the front side of the back rest installed as standard.
Brass & Black fittings available upon request.

Stackable chair.
With trolley: 10 pcs / Without trolley: 8 pcs



Pavilion ^{AV12} Anderssen & Voll 2019



Item code	Upholstery	Model	Base	Lead time	Weight	PRICE EX. VAT (EUR)
Fabric gr. 1	Canvas, Linara, Maple, Remix, Re-Wool	AV12	Black	6-8 weeks	9.00 kg	431
		AV12	Chrome	6-8 weeks	9.00 kg	454
Fabric gr. 2	Clay, Divina Melange, Duke, Fiord, Hallingdal, Loop, Ritz, Ruskin, Steelcut, Steelcut Trio, Velvet, Zero	AV12	Black	6-8 weeks	9.00 kg	545
		AV12	Chrome	6-8 weeks	9.00 kg	567
Fabric gr. 3	Balder, Harald, Sisu, Sunniva, Vidar	AV12	Black	6-8 weeks	9.00 kg	567
		AV12	Chrome	6-8 weeks	9.00 kg	590
Fabric gr. 4	Atlas, Baru, Fuse, Karakorum, Karandash, Serafino	AV12	Black	6-8 weeks	9.00 kg	658
		AV12	Chrome	6-8 weeks	9.00 kg	681
Fabric COM	COM Fabric	AV12	Black	6-8 weeks	9.00 kg	431
		AV12	Chrome	6-8 weeks	9.00 kg	454

Item code	Product	Lead time	Weight	PRICE EX. VAT (EUR)
50099990	Pavilion Stacking Trolley	Stock item	20.00 kg	908
50010001	Pavilion chair hanger *can only be used for AV1, AV3 & AV12	6-8 weeks		22

Frame	Back	Seat
Black	Upholstered	Upholstered
Chrome	Upholstered	Upholstered

Material: Steel tubes, formpressed veneer, HR foam, fabric upholstery.

Fabric usage: 0.9 meter based on a 140cm roll.

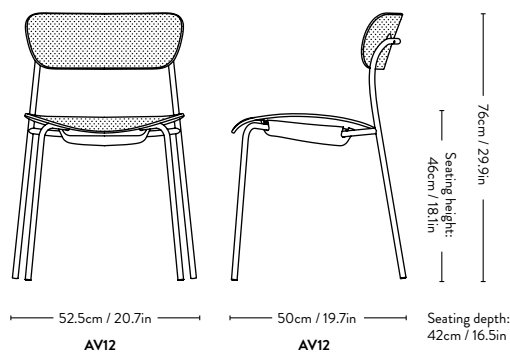
COM must be approved by Tradition to ensure suitability for upholstery.

Pavilion AV12 is not available in leather.

Plastic gliders installed as standard. Felt gliders available upon request.

Stackable chair.

With trolley: 10 pcs / Without trolley: 8 pcs



Pavilion ^{AV13} Anderssen & Voll 2019



Item code	Upholstery	Model	Base	Lead time	Weight	PRICE EX. VAT (EUR)
Fabric gr. 1	Canvas, Linara, Maple, Remix, Re-Wool	AV13	Black	6-8 weeks	9.00 kg	488
		AV13	Chrome	6-8 weeks	9.00 kg	522
Fabric gr. 2	Clay, Divina Melange, Duke, Fiord, Hallingdal, Loop, Ritz, Ruskin, Steelcut, Steelcut Trio, Velvet, Zero	AV13	Black	6-8 weeks	9.00 kg	601
		AV13	Chrome	6-8 weeks	9.00 kg	635
Fabric gr. 3	Balder, Harald, Sisu, Skai Parotega Artificial leather*, Sunniva, Vidar	AV13	Black	6-8 weeks	9.00 kg	624
		AV13	Chrome	6-8 weeks	9.00 kg	658
Fabric gr. 4	Atlas, Baru, Fuse, Karakorom, Karandash, Serafino	AV13	Black	6-8 weeks	9.00 kg	715
		AV13	Chrome	6-8 weeks	9.00 kg	749
Fabric COM	COM Fabric	AV13	Black	6-8 weeks	9.00 kg	488
		AV13	Chrome	6-8 weeks	9.00 kg	522

Item code	Product	Lead time	Weight	PRICE EX. VAT (EUR)
50099990	Pavilion Stacking Trolley	Stock item	20.00 kg	908

*Skai Parotega Artificial leather:
This product contains 0,1-0,2% C,C'-azodi (formamide), CAS no. 123-77-3.

Frame	Back	Seat
Black	Upholstered	Upholstered

Material: Steel tubes, formpressed veneer, HR foam, fabric upholstery.

Fabric usage: 0.9 meter based on a 140cm roll.

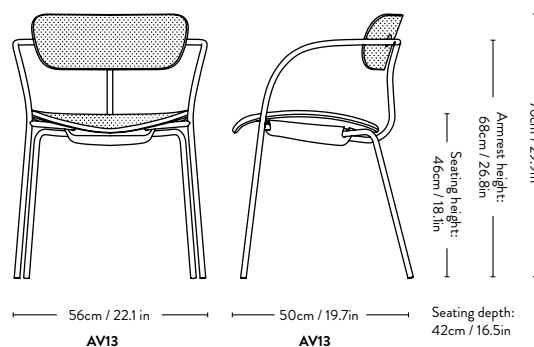
COM must be approved by &Tradition to ensure suitability for upholstery.

Pavilion AV13 is not available in leather.

Plastic gliders installed as standard. Felt gliders available upon request.

Stackable chair.

With trolley: 10 pcs / Without trolley: 8 pcs



Pavilion ^{AV5} Anderssen & Voll 2018



Item code	Base	Model	Finish	Colli qty.	Lead time	Weight	PRICE EX. VAT (EUR)
50030192	Black	AV5	Lacquered Oak	1 pc	6-8 weeks	5.50 kg	522
		AV5	Black Lacquered Oak	1 pc	6-8 weeks	5.50 kg	522
50030196	Black	AV5	Lacquered Walnut	1 pc	6-8 weeks	5.50 kg	556

Frame	Seat & back
Black	Lacquered Oak, Black Lacquered Oak, Lacquered Walnut

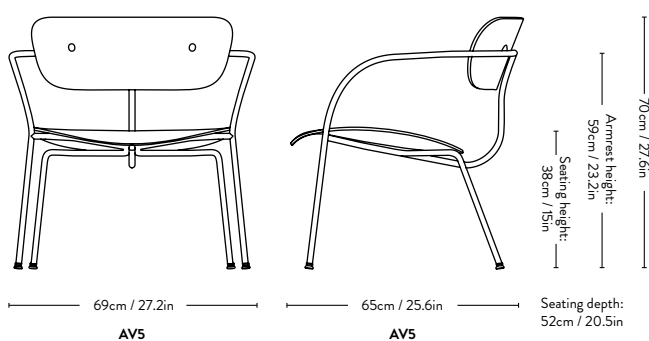
Material: Steel tubes and formpressed veneer.

Plastic gliders installed as standard.

Felt gliders available upon request (6-8 weeks lead time).

Black fittings for the front side of the back rest installed as standard.

Brass fittings available upon request (6-8 weeks lead time).



Pavilion ^{AV6} Anderssen & Voll 2018



	Upholstery	Model	Finish	Lead time	Weight	PRICE EX. VAT (EUR)
Fabric gr. 1	Canvas, Linara, Maple, Remix, Re-Wool	AV6	Black Lacquered Oak	6-8 weeks	6.50 kg	624
		AV6	Lacquered Oak	6-8 weeks	6.50 kg	624
		AV6	Lacquered Walnut	6-8 weeks	6.50 kg	658
Fabric gr. 2	Clay, Divina Melange, Duke, Fiord, Hallingdal, Loop, Ritz, Ruskin, Steelcut, Steelcut Trio, Velvet, Zero	AV6	Black Lacquered Oak	6-8 weeks	6.50 kg	692
		AV6	Lacquered Oak	6-8 weeks	6.50 kg	692
		AV6	Lacquered Walnut	6-8 weeks	6.50 kg	726
Fabric gr. 3	Balder, Harald, Sisu, Skai Parotega Artificial leather*, Sunniva, Vidar	AV6	Black Lacquered Oak	6-8 weeks	6.50 kg	715
		AV6	Lacquered Oak	6-8 weeks	6.50 kg	715
		AV6	Lacquered Walnut	6-8 weeks	6.50 kg	738
Fabric gr. 4	Atlas, Baru, Fuse, Karakorum, Karandash, Serafino	AV6	Black Lacquered Oak	6-8 weeks	6.50 kg	760
		AV6	Lacquered Oak	6-8 weeks	6.50 kg	760
		AV6	Lacquered Walnut	6-8 weeks	6.50 kg	783
Leather gr. 1	Tailor	AV6	Black Lacquered Oak	6-8 weeks	6.50 kg	738
		AV6	Lacquered Oak	6-8 weeks	6.50 kg	738
		AV6	Lacquered Walnut	6-8 weeks	6.50 kg	760
Leather gr. 2	Noble	AV6	Black Lacquered Oak	6-8 weeks	6.50 kg	760
		AV6	Lacquered Oak	6-8 weeks	6.50 kg	760
		AV6	Lacquered Walnut	6-8 weeks	6.50 kg	783
Leather gr. 3	Elmo soft leather	AV6	Black Lacquered Oak	6-8 weeks	6.50 kg	794
		AV6	Lacquered Oak	6-8 weeks	6.50 kg	794
		AV6	Lacquered Walnut	6-8 weeks	6.50 kg	817
Fabric COM	COM (Fabric & Leather)	AV6	Black Lacquered Oak	6-8 weeks	6.50 kg	624
		AV6	Lacquered Oak	6-8 weeks	6.50 kg	624
		AV6	Lacquered Walnut	6-8 weeks	6.50 kg	658

*Skai Parotega Artificial leather:
This product contains 0,1-0,2% C,C'-azodi (formamide), CAS no. 123-77-3.

Frame	Back	Seat
Black	Black Lacquered Oak, Lacquered Oak or Walnut	Upholstered

Material: Steel tubes, formpressed veneer, HR foam, fabric or leather upholstery.

Fabric usage: 0.64 meters based on 140cm roll

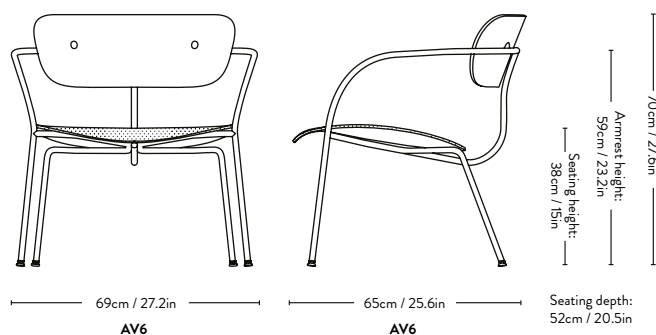
Leather usage: 0.64 square meters.

COM must be approved by &Tradition to ensure suitability for upholstery.

Plastic gliders installed as standard. Felt gliders available upon request.

Black fittings for the front side of the back rest installed as standard.

Brass fittings available upon request (6-8 weeks lead time).



Pavilion ^{AV11} Anderssen & Voll 2019



	Upholstery	Model	Lead time	Weight	PRICE EX. VAT (EUR)
Fabric gr. 1	Canvas, Linara, Maple, Remix, Re-Wool	AV11	6-8 weeks	6.50 kg	715
Fabric gr. 2	Clay, Divina Melange, Duke, Fiord, Hallingdal, Loop, Ritz, Ruskin, Steelcut, Steelcut Trio, Velvet, Zero	AV11	6-8 weeks	6.50 kg	783
Fabric gr. 3	Balder, Harald, Sisu, Skai Parotega Artificial leather*, Sunniva, Vidar	AV11	6-8 weeks	6.50 kg	806
Fabric gr. 4	Atlas, Baru, Fuse, Karakorum, Karandash, Serafino	AV11	6-8 weeks	6.50 kg	851
Fabric COM	COM Fabric	AV11	6-8 weeks	6.50 kg	715

*Skai Parotega Artificial leather:
This product contains 0,1-0,2 % C,C'-azodi (formamide), CAS no. 123-77-3.

Frame	Back	Seat
Black	Upholstered	Upholstered

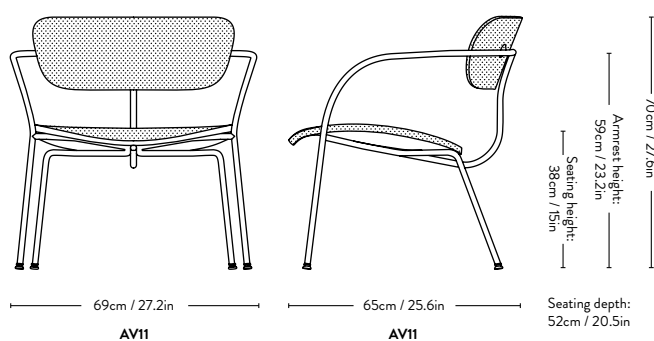
Material: Steel tubes, formpressed veneer, HR foam, fabric or leather upholstery.

Fabric usage: 1 meter based on a 140cm roll.

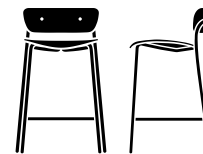
COM must be approved by &Tradition to ensure suitability for upholstery.

Pavilion AV11 is not available in leather.

Plastic gliders installed as standard.
Felt gliders available upon request.



Pavilion AV7 & AV8 Anderssen & Voll 2018



Item code	Product	Model	Colli qty.	Lead time	Weight	PRICE EX. VAT (EUR)
50060092	Lacquered Oak	AV7	1 pc	Stock item	5.00 kg	386
50060094	Black Lacquered Oak	AV7	1 pc	Stock item	5.00 kg	386
50060096	Lacquered Walnut	AV7	1 pc	Stock item	5.00 kg	386

	Upholstery	Model	Finish	Lead time	Weight	PRICE EX. VAT (EUR)
Fabric gr. 1	Canvas, Linara, Maple, Remix, Re-Wool	AV8	Black Lacquered Oak	6-8 weeks	5.50 kg	465
		AV8	Lacquered Oak	6-8 weeks	5.50 kg	465
		AV8	Lacquered Walnut	6-8 weeks	5.50 kg	476
Fabric gr. 2	Clay, Divina Melange, Duke, Fiord, Hallingdal, Loop, Ritz, Ruskin, Steelcut, Steelcut Trio, Velvet, Zero	AV8	Black Lacquered Oak	6-8 weeks	5.50 kg	522
		AV8	Lacquered Oak	6-8 weeks	5.50 kg	522
		AV8	Lacquered Walnut	6-8 weeks	5.50 kg	533
Fabric gr. 3	Balder, Harald, Sisu, Skai Parotega Artificial leather*, Sunniva, Vidar	AV8	Black Lacquered Oak	6-8 weeks	5.50 kg	533
		AV8	Lacquered Oak	6-8 weeks	5.50 kg	533
		AV8	Lacquered Walnut	6-8 weeks	5.50 kg	545
Fabric gr. 4	Atlas, Baru, Fuse, Karakorum, Karandash, Serafino	AV8	Black Lacquered Oak	6-8 weeks	5.50 kg	579
		AV8	Lacquered Oak	6-8 weeks	5.50 kg	579
		AV8	Lacquered Walnut	6-8 weeks	5.50 kg	590
Leather gr. 1	Tailor	AV8	Black Lacquered Oak	6-8 weeks	5.50 kg	556
		AV8	Lacquered Oak	6-8 weeks	5.50 kg	556
		AV8	Lacquered Walnut	6-8 weeks	5.50 kg	567
Leather gr. 2	Noble	AV8	Black Lacquered Oak	6-8 weeks	5.50 kg	579
		AV8	Lacquered Oak	6-8 weeks	5.50 kg	579
		AV8	Lacquered Walnut	6-8 weeks	5.50 kg	590
Leather gr. 3	Elmo soft leather	AV8	Black Lacquered Oak	6-8 weeks	5.50 kg	613
		AV8	Lacquered Oak	6-8 weeks	5.50 kg	613
		AV8	Lacquered Walnut	6-8 weeks	5.50 kg	624
Fabric/ Leather COM	COM (Fabric & Leather)	AV8	Black Lacquered Oak	6-8 weeks	5.50 kg	465
		AV8	Lacquered Oak	6-8 weeks	5.50 kg	465
		AV8	Lacquered Walnut	6-8 weeks	5.50 kg	476

Material: Steel tubes, formpressed veneer, HR foam, fabric or leather upholstery.

Fabric usage (Pavilion AV8): 0.45 meters based on 140cm roll.

Leather usage (Pavilion AV8): 0.55 square meters.

COM must be approved by &Tradition to ensure suitability for upholstery.

*Skai Parotega Artificial leather:

This product contains 0,1-0,2% C,C'-azodi (formamide), CAS no. 123-77-3.

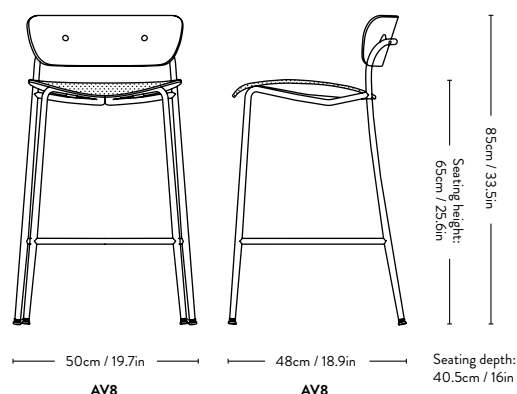
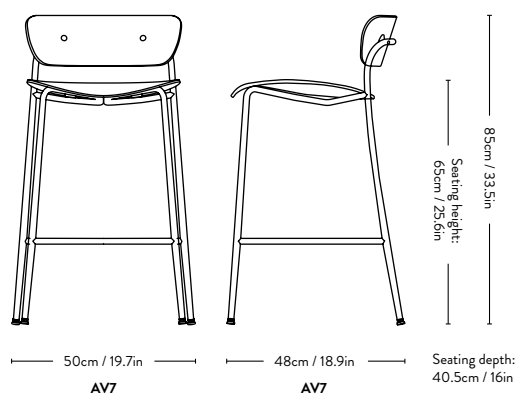
Frame Seat & back

Black Lacquered Oak, Black Lacquered Oak, Lacquered Walnut

Plastic gliders installed as standard. Felt gliders available upon request.

Black fittings for the front side of the back rest installed as standard.

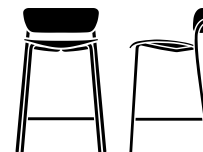
Brass fittings available upon request (6-8 weeks lead time).



Pavilion AV14

Anderssen & Voll

2019



	Upholstery	Model	Lead time	Weight	PRICE EX. VAT (EUR)
Fabric gr. 1	Canvas, Linara, Maple, Remix, Re-Wool	AV14	6-8 weeks	5.50 kg	556
Fabric gr. 2	Clay, Divina Melange, Duke, Fiord, Hallingdal, Loop, Ritz, Ruskin, Steelcut, Steelcut Trio, Velvet, Zero	AV14	6-8 weeks	5.50 kg	669
Fabric gr. 3	Balder, Harald, Sisu, Skai Parotega Artificial leather*, Sunniva, Vidar	AV14	6-8 weeks	5.50 kg	692
Fabric gr. 4	Atlas, Baru, Fuse, Karakorum, Karandash, Serafino	AV14	6-8 weeks	5.50 kg	783
Fabric COM	COM Fabric	AV14	6-8 weeks	5.50 kg	556

*Skai Parotega Artificial leather:
This product contains 0,1-0,2 % C,C'-azodi (formamide), CAS no. 123-77-3.

Frame	Back	Seat
Black	Upholstered	Upholstered

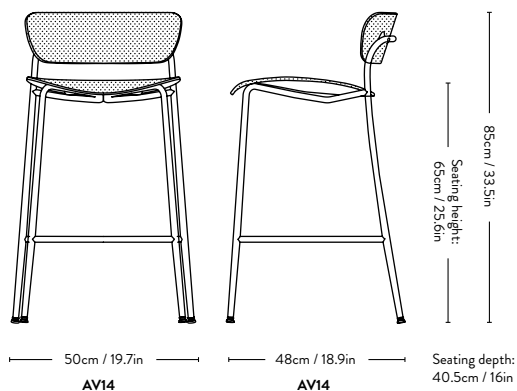
Material: Steel tubes, formpressed veneer, HR foam, fabric or leather upholstery.

Fabric usage: 0.8 meter based on a 140cm roll.

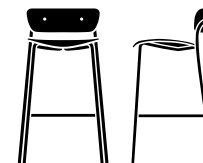
COM must be approved by &Tradition to ensure suitability for upholstery.

Pavilion AV14 is not available in leather.

Plastic gliders installed as standard.
Felt gliders available upon request.



Pavilion AV9 & AV10 Anderssen & Voll 2018



Item code	Product	Model	Colli qty.	Lead time	Weight	PRICE EX. VAT (EUR)
50090092	Lacquered Oak	AV9	1 pc	Stock item	5.30 kg	397
50090094	Black Lacquered Oak	AV9	1 pc	Stock item	5.30 kg	397
50090096	Lacquered Walnut	AV9	1 pc	Stock item	5.30 kg	397
	Upholstery	Model	Finish	Lead time	Weight	PRICE EX. VAT (EUR)
Fabric gr. 1	Canvas, Linara, Maple, Remix, Re-Wool	AV10	Black Lacquered Oak	6-8 weeks	5.80 kg	476
		AV10	Lacquered Oak	6-8 weeks	5.80 kg	476
		AV10	Lacquered Walnut	6-8 weeks	5.80 kg	488
Fabric gr. 2	Clay, Divina Melange, Duke, Fiord, Hallingdal, Loop, Ritz, Ruskin, Steelcut, Steelcut Trio, Velvet, Zero	AV10	Black Lacquered Oak	6-8 weeks	5.50 kg	533
		AV10	Lacquered Oak	6-8 weeks	5.50 kg	533
		AV10	Lacquered Walnut	6-8 weeks	5.50 kg	545
Fabric gr. 3	Balder, Harald, Sisu, Skai Parotega Artificial leather*, Sunniva, Vidar	AV10	Black Lacquered Oak	6-8 weeks	5.50 kg	545
		AV10	Lacquered Oak	6-8 weeks	5.50 kg	545
		AV10	Lacquered Walnut	6-8 weeks	5.50 kg	556
Fabric gr. 4	Atlas, Baru, Fuse, Karakorom, Karandash, Serafino	AV10	Black Lacquered Oak	6-8 weeks	5.50 kg	590
		AV10	Lacquered Oak	6-8 weeks	5.50 kg	590
		AV10	Lacquered Walnut	6-8 weeks	5.50 kg	601
Leather gr. 1	Tailor	AV10	Black Lacquered Oak	6-8 weeks	5.50 kg	567
		AV10	Lacquered Oak	6-8 weeks	5.50 kg	567
		AV10	Lacquered Walnut	6-8 weeks	5.50 kg	579
Leather gr. 2	Noble	AV10	Black Lacquered Oak	6-8 weeks	5.50 kg	590
		AV10	Lacquered Oak	6-8 weeks	5.50 kg	590
		AV10	Lacquered Walnut	6-8 weeks	5.50 kg	601
Leather gr. 3	Elmo soft leather	AV10	Black Lacquered Oak	6-8 weeks	5.50 kg	624
		AV10	Lacquered Oak	6-8 weeks	5.50 kg	624
		AV10	Lacquered Walnut	6-8 weeks	5.50 kg	635
Fabric/ Leather COM	COM (Fabric & Leather)	AV10	Black Lacquered Oak	6-8 weeks	5.50 kg	476
		AV10	Lacquered Oak	6-8 weeks	5.50 kg	476
		AV10	Lacquered Walnut	6-8 weeks	5.50 kg	488

Material: Steel tubes, formpressed veneer, HR foam, fabric or leather upholstery.

Fabric usage (AV10 only): 0.45 meters based on 140cm roll.

Leather usage (AV10 only): 0.55 square meters

COM must be approved by &Tradition to ensure suitability for upholstery.

*Skai Parotega Artificial leather:

This product contains 0,1-0,2 % C,C'-azodi (formamide), CAS no. 123-77-3.

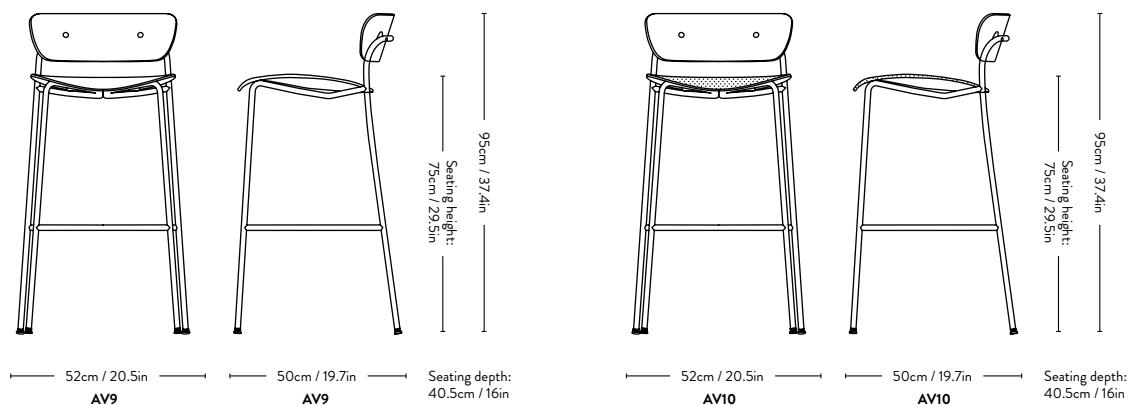
Frame Seat & back

Black Lacquered Oak, Black Lacquered Oak, Lacquered Walnut

Plastic gliders installed as standard. Felt gliders available upon request.

Black fittings for the front side of the back rest installed as standard.

Brass fittings available upon request (6-8 weeks lead time, on AV9 only).



Pavilion ^{AV15} Anderssen & Voll 2019



	Upholstery	Model	Lead time	Weight	PRICE EX. VAT (EUR)
Fabric gr. 1	Canvas, Linara, Maple, Remix, Re-Wool	AV15	6-8 weeks	5.80 kg	567
Fabric gr. 2	Clay, Divina Melange, Duke, Fiord, Hallingdal, Loop, Ritz, Ruskin, Steelcut, Steelcut Trio, Velvet, Zero	AV15	6-8 weeks	5.80 kg	681
Fabric gr. 3	Balder, Harald, Sisu, Skai Parotega Artificial leather*, Sunniva, Vidar	AV15	6-8 weeks	5.80 kg	703
Fabric gr. 4	Atlas, Baru, Fuse, Karakorum, Karandash, Serafino	AV15	6-8 weeks	5.80 kg	794
Fabric COM	COM Fabric	AV15	6-8 weeks	5.80 kg	567

*Skai Parotega Artificial leather:
This product contains 0,1-0,2 % C,C'-azodi (formamide), CAS no. 123-77-3.

Frame	Back	Seat
Black	Upholstered	Upholstered

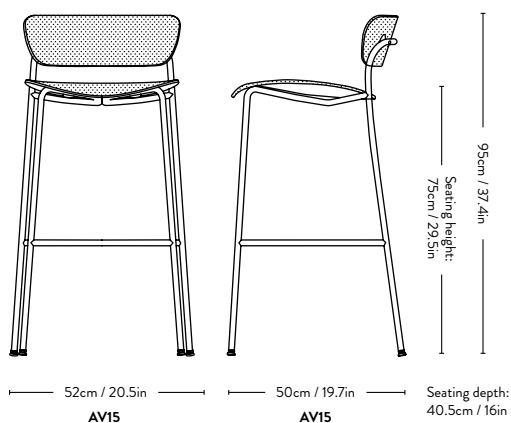
Material: Steel tubes, formpressed veneer, HR foam, fabric upholstery.

Fabric usage: 0.8 meter based on a 140cm roll.

COM must be approved by &Tradition to ensure suitability for upholstery.

Pavilion AV15 is not available in leather.

Plastic gliders installed as standard.
Felt gliders available upon request.



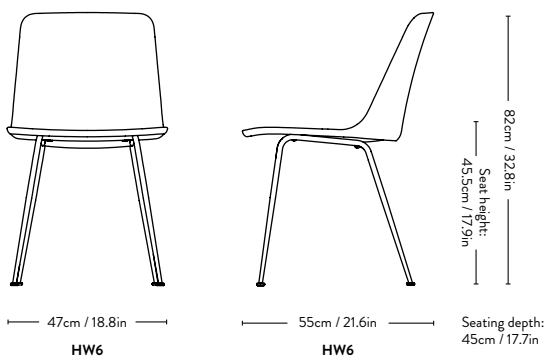
Rely ^{HW6} Hee Welling 2020



Item code	Shell Colour	Model	Base	Colli qty.	Lead time	Weight	PRICE EX. VAT (EUR)
HW	Black	HW6	Black, Bronzed, Chrome	1 pc 4 pcs	2-3 weeks	4.90 kg	215 192
HW	White	HW6	Black, Bronzed, Chrome	1 pc 4 pcs	2-3 weeks	4.90 kg	215 192
HW	Beige Sand	HW6	Black, Bronzed, Chrome	1 pc 4 pcs	2-3 weeks	4.90 kg	215 192
HW	Red Brown	HW6	Black, Bronzed, Chrome	1 pc 4 pcs	2-3 weeks	4.90 kg	215 192
HW	Light Blue	HW6	Black, Bronzed, Chrome	1 pc 4 pcs	2-3 weeks	4.90 kg	215 192
HW	Stone Grey	HW6	Black, Bronzed, Chrome	1 pc 4 pcs	2-3 weeks	4.90 kg	215 192

Material: Shell made from 100% recycled polypropylene with fiber glass and a steel tube base.

Plastic gliders installed as standard.
Felt gliders available upon request.



Rely ^{HW7} Hee Welling 2020



Item code	Shell Colour	Seat Cushion Upholstery	Model	Base	Lead time	Weight	PRICE EX. VAT (EUR)
Fabric gr. 1	Black, White, Beige Sand, Red Brown, Light Blue, Stone Grey	Canvas, Linara, Remix, Re-Wool	HW7	Black, Bronzed, Chrome	3-6 weeks	6.50 kg	329
Fabric gr. 2	Black, White, Beige Sand, Red Brown, Light Blue, Stone Grey	Clay, Divina Melange, Duke, Fiord, Hallingdal, Loop, Ritz, Ruskin, Steelcut, Steelcut Trio, Tonus, Velvet, Zero	HW7	Black, Bronzed, Chrome	3-6 weeks	6.50 kg	363
Fabric gr. 3	Black, White, Beige Sand, Red Brown, Light Blue, Stone Grey	Balder, Sisu, Skai Parotega Artificial leather*, Vidar	HW7	Black, Bronzed, Chrome	3-6 weeks	6.50 kg	408
Fabric gr. 4	Black, White, Beige Sand, Red Brown, Light Blue, Stone Grey	Baru, Fuse, Gentle, Karakorom, Karandash	HW7	Black, Bronzed, Chrome	3-6 weeks	6.50 kg	454
Leather gr 1	Black, White, Beige Sand, Red Brown, Light Blue, Stone Grey	Tailor	HW7	Black, Bronzed, Chrome	3-6 weeks	6.50 kg	374
Leather gr 2	Black, White, Beige Sand, Red Brown, Light Blue, Stone Grey	Noble	HW7	Black, Bronzed, Chrome	3-6 weeks	6.50 kg	408
Leather gr. 3	Black, White, Beige Sand, Red Brown, Light Blue, Stone Grey	Elmo soft leather	HW7	Black, Bronzed, Chrome	3-6 weeks	6.50 kg	442
Fabric COM	Black, White, Beige Sand, Red Brown, Light Blue, Stone Grey	COM Fabric	HW7	Black, Bronzed, Chrome	3-6 weeks	6.50 kg	329
Leather COL	Black, White, Beige Sand, Red Brown, Light Blue, Stone Grey	COL Leather	HW7	Black, Bronzed, Chrome	3-6 weeks	6.50 kg	374

*Skai Parotega Artificial leather:
This product contains 0,1-0,2% C,C'-azodi (formamide), CAS no. 123-77-3.

Material: Shell made from 100% recycled polypropylene with fiber glass, HR foam seat covered with fabric or leather upholstery, steel tube base.

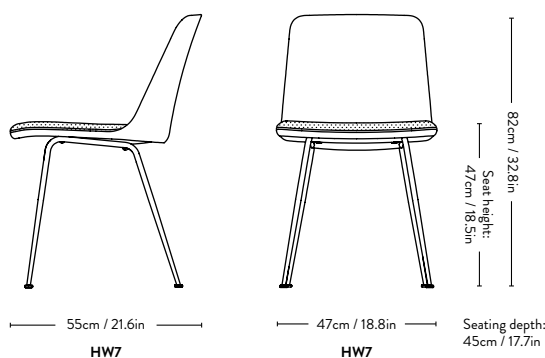
Fabric usage: 0.49 meter based on a 140 cm roll.

Leather usage: 1 square meter.

COM must be approved by &Tradition to ensure suitability for upholstery.

Plastic gliders installed as standard.

Felt gliders available upon request.



Rely ^{HW8} Hee Welling 2020



	Upholstery	Model	Base	Lead time	Weight	PRICE EX. VAT (EUR)
Fabric gr. 1	Canvas, Linara, Remix, Re-Wool	HW8	Black, Bronzed, Chrome	3-6 weeks	5.70 kg	420
Fabric gr. 2	Clay, Divina Melange, Duke, Fiord, Hallingdal, Loop, Ritz, Ruskin, Steelcut, Steelcut Trio, Tonus, Velvet, Zero	HW8	Black, Bronzed, Chrome	3-6 weeks	5.70 kg	488
Fabric gr. 3	Balder, Sisu, Skai Parotega Artificial leather*, Vidar	HW8	Black, Bronzed, Chrome	3-6 weeks	5.70 kg	567
Fabric gr. 4	Baru, Fuse, Gentle, Karakorum, Karandash	HW8	Black, Bronzed, Chrome	3-6 weeks	5.70 kg	703
Leather gr. 1	Tailor	HW8	Black, Bronzed, Chrome	3-6 weeks	5.70 kg	590
Leather gr. 2	Noble	HW8	Black, Bronzed, Chrome	3-6 weeks	5.70 kg	624
Leather gr. 3	Elmo soft leather	HW8	Black, Bronzed, Chrome	3-6 weeks	5.70 kg	681
Fabric COM	COM Fabric	HW8	Black, Bronzed, Chrome	3-6 weeks	5.70 kg	420
Leather COL	COL Leather	HW8	Black, Bronzed, Chrome	3-6 weeks	5.70 kg	590

*Skai Parotega Artificial leather:
This product contains 0,1-0,2% C,C'-azodi (formamide), CAS no. 123-77-3.

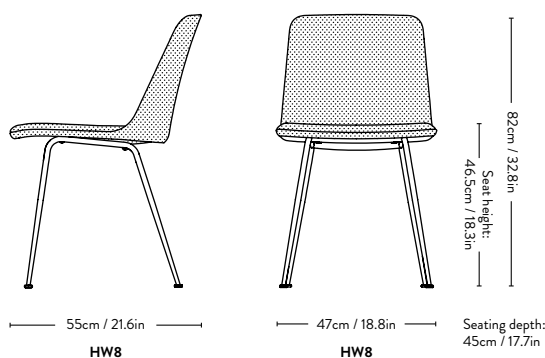
Material: Shell made from 100% recycled polypropylene with fiber glass, covered with HR foam with fabric or leather upholstery, steel tube base.

Fabric usage: 1.40 meters based on a 140cm roll.

Leather usage: 2.2 square meters.

COM must be approved by &Tradition to ensure suitability for upholstery.

Plastic gliders installed as standard.
Felt gliders available upon request.



Rely ^{HW9} Hee Welling 2020



Item no.	Upholstery	Colli qty.	Model	Base	Lead time	Weight	PRICE EX. VAT (EUR)
16090101	Re-Wool 128	1 pc	HW9	Black	1-2 weeks	6.80 kg	442
16090102	Re-Wool 198	1 pc	HW9	Black	1-2 weeks	6.80 kg	442
16090103	Nimbus 009	1 pc	HW9	Black	1-2 weeks	6.80 kg	590
16090201	Linara Stone 2494/266	1 pc	HW9	Bronzed	1-2 weeks	6.80 kg	442
16090202	Zero 0011	1 pc	HW9	Bronzed	1-2 weeks	6.80 kg	510
16090203	Karakorum 003	1 pc	HW9	Bronzed	1-2 weeks	6.80 kg	726

	Upholstery	Model	Base	Lead time	Weight	PRICE EX. VAT (EUR)
Fabric gr. 1	Canvas, Linara, Remix, Re-Wool	HW9	Black, Bronzed, Chrome	3-6 weeks	6.80 kg	442
Fabric gr. 2	Clay, Divina Melange, Duke, Fiord, Hallingdal, Loop, Ritz, Ruskin, Steelcut, Steelcut Trio, Tonus, Velvet, Zero	HW9	Black, Bronzed, Chrome	3-6 weeks	6.80 kg	510
Fabric gr. 3	Balder, Sisu, Skai Parotega Artificial leather*, Vidar	HW9	Black, Bronzed, Chrome	3-6 weeks	6.80 kg	590
Fabric gr. 4	Baru, Fuse, Gentle, Karakorum, Karandash	HW9	Black, Bronzed, Chrome	3-6 weeks	6.80 kg	726
Leather gr. 1	Tailor	HW9	Black, Bronzed, Chrome	3-6 weeks	6.80 kg	613
Leather gr. 2	Noble	HW9	Black, Bronzed, Chrome	3-6 weeks	6.80 kg	647
Leather gr. 3	Elmo soft leather	HW9	Black, Bronzed, Chrome	3-6 weeks	6.80 kg	715
Fabric COM	COM Fabric	HW9	Black, Bronzed, Chrome	3-6 weeks	6.80 kg	442
Leather COL	COL Leather	HW9	Black, Bronzed, Chrome	3-6 weeks	6.80 kg	613

*Skai Parotega Artificial leather:
This product contains 0,1-0,2% C,C'-azodi (formamide), CAS no. 123-77-3.

Material: Shell made from 100% recycled polypropylene with fiber glass, covered with HR foam with fabric or leather upholstery, steel tube base.

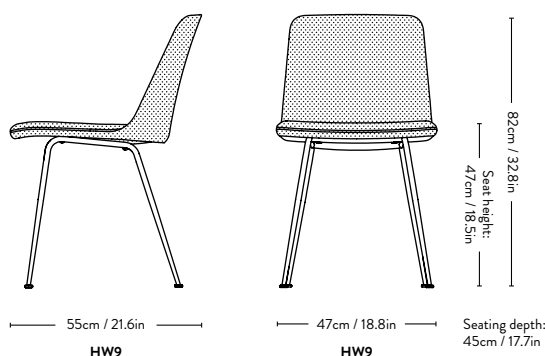
Fabric usage: 1.8 meters based on a 140cm roll.

Leather usage: 2.7 square meters.

COM must be approved by &Tradition to ensure suitability for upholstery.

Predefined variants: Felt gliders installed as standard.

MTO: Plastic gliders installed as standard. Felt gliders available upon request.



Rely^{HW10} Hee Welling 2020



Please note that price is accumulated price of shell & seat.

Price group	Shell Upholstery	Model	Base	Lead time	Weight	PRICE EX. VAT (EUR)
Fabric gr. 1	Canvas, Linara, Remix, Re-Wool	HW10	Black, Bronzed, Chrome	3-6 weeks	6.80 kg	329
Fabric gr. 2	Clay, Divina Melange, Duke, Fiord, Hallingdal, Loop, Ritz, Ruskin, Steelcut, Steelcut Trio, Tonus, Velvet, Zero	HW10	Black, Bronzed, Chrome	3-6 weeks	6.80 kg	363
Fabric gr. 3	Balder, Sisu, Skai Parotega Artificial leather*, Vidar	HW10	Black, Bronzed, Chrome	3-6 weeks	6.80 kg	397
Fabric gr. 4	Baru, Fuse, Gentle, Karakorum, Karandash	HW10	Black, Bronzed, Chrome	3-6 weeks	6.80 kg	488
Leather gr. 1	Tailor	HW10	Black, Bronzed, Chrome	3-6 weeks	6.80 kg	431
Leather gr. 2	Noble	HW10	Black, Bronzed, Chrome	3-6 weeks	6.80 kg	454
Leather gr. 3	Elmo soft leather	HW10	Black, Bronzed, Chrome	3-6 weeks	6.80 kg	476
Fabric COM	COM Fabric	HW10	Black, Bronzed, Chrome	3-6 weeks	6.80 kg	329
Leather COL	COL Leather	HW10	Black, Bronzed, Chrome	3-6 weeks	6.80 kg	431

Price group	Seat Upholstery	Lead time	PRICE EX. VAT (EUR)
Fabric gr. 1	Canvas, Linara, Remix, Re-Wool	3-6 weeks	114
Fabric gr. 2	Clay, Divina Melange, Duke, Fiord, Hallingdal, Loop, Ritz, Ruskin, Steelcut, Steelcut Trio, Tonus, Velvet, Zero	3-6 weeks	148
Fabric gr. 3	Balder, Sisu, Skai Parotega Artificial leather*, Vidar	3-6 weeks	193
Fabric gr. 4	Baru, Fuse, Gentle, Karakorum, Karandash	3-6 weeks	238
Leather gr. 1	Tailor	3-6 weeks	182
Leather gr. 2	Noble	3-6 weeks	193
Leather gr. 3	Elmo soft leather	3-6 weeks	238
Fabric COM	COM Fabric	3-6 weeks	114
Leather COL	COL Leather	3-6 weeks	182

*Skai Parotega Artificial leather:
This product contains 0,1-0,2 % C,C'-azodi (formamide), CAS no. 123-77-3.

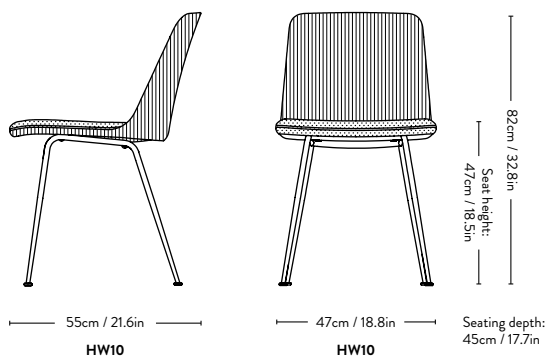
Material: Shell made from 100% recycled polypropylene with fiber glass, covered with HR foam with fabric or leather upholstery, steel tube base.

Fabric usage:
1.9 meter (Shell: 1.2 meters / Seat: 0.7 meter based on a 140 cm roll).
Leather usage: 2.9 square meters (Shell: 2 sqm / Seat: 0.9 sqm).

COM must be approved by &Tradition to ensure suitability for upholstery.

Plastic gliders installed as standard.
Felt gliders available upon request.

Minimum order quantity of same variant: 4 pcs.



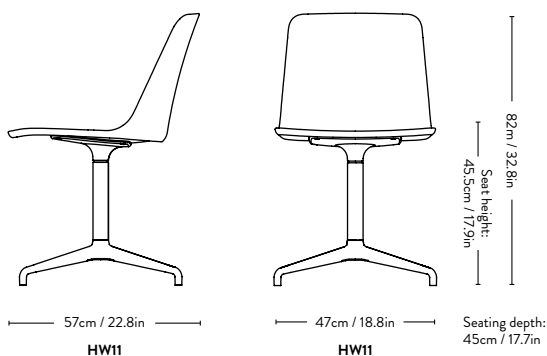
Rely ^{HW11} Hee Welling 2020



Item code	Shell Colour	Model	Base	Lead time	Weight	PRICE EX. VAT (EUR)
HW	Black	HW11	Black, Bronzed, Polished Aluminium	2-3 weeks	7.10 kg	317
HW	White	HW11	Black, Bronzed, Polished Aluminium	2-3 weeks	7.10 kg	317
HW	Beige Sand	HW11	Black, Bronzed, Polished Aluminium	2-3 weeks	7.10 kg	317
HW	Red Brown	HW11	Black, Bronzed, Polished Aluminium	2-3 weeks	7.10 kg	317
HW	Light Blue	HW11	Black, Bronzed, Polished Aluminium	2-3 weeks	7.10 kg	317
HW	Stone Grey	HW11	Black, Bronzed, Polished Aluminium	2-3 weeks	7.10 kg	317

Material: Shell made from 100% recycled polypropylene with fiber glass and an aluminium swivel base.

Plastic gliders installed as standard.
Felt gliders available upon request.



Rely ^{HW12} Hee Welling 2020



Item code	Shell Colour	Seat Cushion Upholstery	Base	Lead time	Weight	PRICE EX. VAT (EUR)
Fabric gr. 1	Black, White, Beige Sand, Red Brown, Light Blue, Stone Grey	Canvas, Linara, Remix, Re-Wool	Black, Bronzed, Polished Aluminium	3-6 weeks	9.10 kg	431
Fabric gr. 2	Black, White, Beige Sand, Red Brown, Light Blue, Stone Grey	Clay, Divina Melange, Duke, Fiord, Hallingdal, Loop, Ritz, Ruskin, Steelcut, Steelcut Trio, Tonus, Velvet, Zero	Black, Bronzed, Polished Aluminium	3-6 weeks	9.10 kg	465
Fabric gr. 3	Black, White, Beige Sand, Red Brown, Light Blue, Stone Grey	Balder, Sisu, Skai Parotega Artificial leather*, Vidar	Black, Bronzed, Polished Aluminium	3-6 weeks	9.10 kg	510
Fabric gr. 4	Black, White, Beige Sand, Red Brown, Light Blue, Stone Grey	Baru, Fuse, Gentle, Karakorom, Karandash	Black, Bronzed, Polished Aluminium	3-6 weeks	9.10 kg	556
Leather gr. 1	Black, White, Beige Sand, Red Brown, Light Blue, Stone Grey	Tailor	Black, Bronzed, Polished Aluminium	3-6 weeks	9.10 kg	476
Leather gr. 2	Black, White, Beige Sand, Red Brown, Light Blue, Stone Grey	Noble	Black, Bronzed, Polished Aluminium	3-6 weeks	9.10 kg	510
Leather gr. 3	Black, White, Beige Sand, Red Brown, Light Blue, Stone Grey	Elmo soft leather	Black, Bronzed, Polished Aluminium	3-6 weeks	9.10 kg	545
Fabric COM	Black, White, Beige Sand, Red Brown, Light Blue, Stone Grey	COM Fabric	Black, Bronzed, Polished Aluminium	3-6 weeks	9.10 kg	431
Leather COL	Black, White, Beige Sand, Red Brown, Light Blue, Stone Grey	COL Leather	Black, Bronzed, Polished Aluminium	3-6 weeks	9.10 kg	476

*Skai Parotega Artificial leather:
This product contains 0,1-0,2% C,C'-azodi (formamide), CAS no. 123-77-3.

Material: Shell made from 100% recycled polypropylene with fiber glass, HR foam seat covered with fabric or leather upholstery, aluminium swivel base.

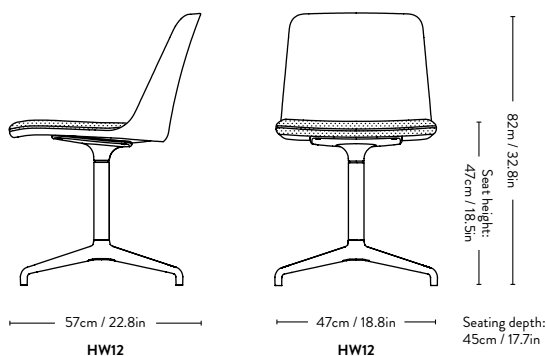
Fabric usage: 0.49 meter based on a 140 cm roll.

Leather usage: 1 square meter.

COM must be approved by &Tradition to ensure suitability for upholstery.

Plastic gliders installed as standard.

Felt gliders available upon request.



Rely ^{HW13} Hee Welling 2020



Item code	Upholstery	Model	Base	Lead time	Weight	PRICE EX. VAT (EUR)
Fabric gr. 1	Canvas, Linara, Remix, Re-Wool	HW13	Black, Bronzed, Polished Aluminium	3-6 weeks	8.30 kg	499
Fabric gr. 2	Clay, Divina Melange, Duke, Fiord, Hallingdal, Loop, Ritz, Ruskin, Steelcut, Steelcut Trio, Tonus, Velvet, Zero	HW13	Black, Bronzed, Polished Aluminium	3-6 weeks	8.30 kg	567
Fabric gr. 3	Balder, Sisu, Skai Parotega Artificial leather*, Vidar	HW13	Black, Bronzed, Polished Aluminium	3-6 weeks	8.30 kg	647
Fabric gr. 4	Baru, Fuse, Gentle, Karakorum, Karandash	HW13	Black, Bronzed, Polished Aluminium	3-6 weeks	8.30 kg	783
Leather gr. 1	Tailor	HW13	Black, Bronzed, Polished Aluminium	3-6 weeks	8.30 kg	669
Leather gr. 2	Noble	HW13	Black, Bronzed, Polished Aluminium	3-6 weeks	8.30 kg	703
Leather gr. 3	Elmo soft leather	HW13	Black, Bronzed, Polished Aluminium	3-6 weeks	8.30 kg	760
Fabric COM	COM Fabric	HW13	Black, Bronzed, Polished Aluminium	3-6 weeks	8.30 kg	499
Leather COL	COL Leather	HW13	Black, Bronzed, Polished Aluminium	3-6 weeks	8.30 kg	669

*Skai Parotega Artificial leather:
This product contains 0,1-0,2 % C,C'-azodi (formamide), CAS no. 123-77-3.

Material: Shell made from 100% recycled polypropylene with fiber glass, covered in HR foam with fabric or leather upholstery, aluminium swivel base.

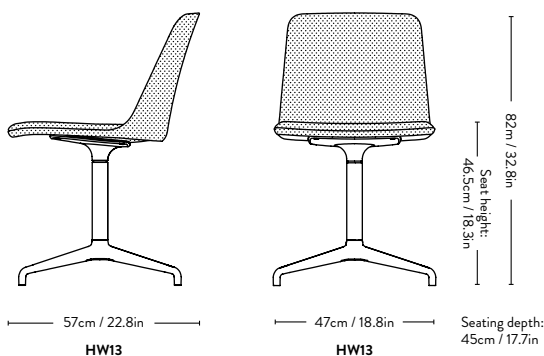
Fabric usage: 1.40 meters based on a 140cm roll.

Leather usage: 2.2 square meters.

COM must be approved by &Tradition to ensure suitability for upholstery.

Plastic gliders installed as standard.

Felt gliders available upon request.



Rely ^{HW14} Hee Welling 2020



	Upholstery	Model	Base	Lead time	Weight	PRICE EX. VAT (EUR)
Fabric gr. 1	Canvas, Linara, Remix, Re-Wool	HW14	Black, Bronzed, Polished Aluminium	3-6 weeks	9.40 kg	522
Fabric gr. 2	Clay, Divina Melange, Duke, Fiord, Hallingdal, Loop, Ritz, Ruskin, Steelcut, Steelcut Trio, Tonus, Velvet, Zero	HW14	Black, Bronzed, Polished Aluminium	3-6 weeks	9.40 kg	590
Fabric gr. 3	Balder, Sisu, Skai Parotega Artificial leather*, Vidar	HW14	Black, Bronzed, Polished Aluminium	3-6 weeks	9.40 kg	669
Fabric gr. 4	Baru, Fuse, Gentle, Karakorum, Karandash	HW14	Black, Bronzed, Polished Aluminium	3-6 weeks	9.40 kg	806
Leather gr. 1	Tailor	HW14	Black, Bronzed, Polished Aluminium	3-6 weeks	9.40 kg	692
Leather gr. 2	Noble	HW14	Black, Bronzed, Polished Aluminium	3-6 weeks	9.40 kg	726
Leather gr. 3	Elmo soft leather	HW14	Black, Bronzed, Polished Aluminium	3-6 weeks	9.40 kg	806
Fabric COM	COM Fabric	HW14	Black, Bronzed, Polished Aluminium	3-6 weeks	9.40 kg	522
Leather COL	COL Leather	HW14	Black, Bronzed, Polished Aluminium	3-6 weeks	9.40 kg	692

*Skai Parotega Artificial leather:
This product contains 0,1-0,2 % C,C'-azodi (formamide), CAS no. 123-77-3.

Material: Shell made from 100% recycled polypropylene with fiber glass, covered in HR foam with fabric or leather upholstery, aluminium swivel base.

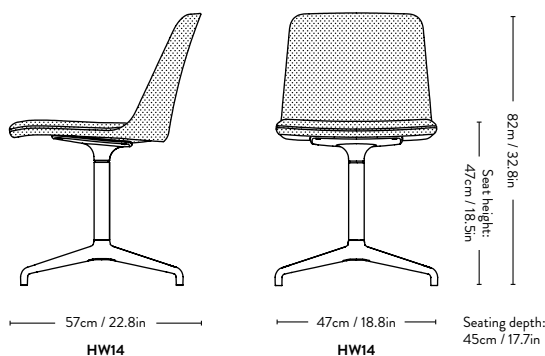
Fabric usage: 1.8 meters based on a 140cm roll.

Leather usage: 2.7 square meters.

COM must be approved by &Tradition to ensure suitability for upholstery.

Plastic gliders installed as standard.

Felt gliders available upon request.



Rely^{HW15} Hee Welling 2020



Please note that price is accumulated price of shell & seat.

Price group	Shell Upholstery	Base	Lead time	Weight	PRICE EX. VAT (EUR)
Fabric gr. 1	Canvas, Linara, Remix, Re-Wool	Black, Bronzed, Polished Aluminium	3-6 weeks	9.40 kg	408
Fabric gr. 2	Clay, Divina Melange, Duke, Fiord, Hallingdal, Loop, Ritz, Ruskin, Steelcut, Steelcut Trio, Tonus, Velvet, Zero	Black, Bronzed, Polished Aluminium	3-6 weeks	9.40 kg	442
Fabric gr. 3	Balder, Sisu, Skai Parotega Artificial leather*, Vidar	Black, Bronzed, Polished Aluminium	3-6 weeks	9.40 kg	476
Fabric gr. 4	Baru, Fuse, Gentle, Karakorum, Karandash	Black, Bronzed, Polished Aluminium	3-6 weeks	9.40 kg	567
Leather gr. 1	Tailor	Black, Bronzed, Polished Aluminium	3-6 weeks	9.40 kg	510
Leather gr. 2	Noble	Black, Bronzed, Polished Aluminium	3-6 weeks	9.40 kg	533
Leather gr. 3	Elmo soft leather	Black, Bronzed, Polished Aluminium	3-6 weeks	9.40 kg	567
Fabric COM	COM Fabric	Black, Bronzed, Polished Aluminium	3-6 weeks	9.40 kg	408
Leather COL	COL Leather	Black, Bronzed, Polished Aluminium	3-6 weeks	9.40 kg	510

Price group	Seat Upholstery	Lead time	PRICE EX. VAT (EUR)
Fabric gr. 1	Canvas, Linara, Remix, Re-Wool	3-6 weeks	114
Fabric gr. 2	Clay, Divina Melange, Duke, Fiord, Hallingdal, Loop, Ritz, Ruskin, Steelcut, Steelcut Trio, Tonus, Velvet, Zero	3-6 weeks	148
Fabric gr. 3	Balder, Sisu, Skai Parotega Artificial leather*, Vidar	3-6 weeks	193
Fabric gr. 4	Baru, Fuse, Gentle, Karakorum, Karandash	3-6 weeks	238
Leather gr. 1	Tailor	3-6 weeks	182
Leather gr. 2	Noble	3-6 weeks	193
Leather gr. 3	Elmo soft leather	3-6 weeks	238
Fabric COM	COM Fabric	3-6 weeks	114
Leather COL	COL Leather	3-6 weeks	182

*Skai Parotega Artificial leather:
This product contains 0,1-0,2% C,C'-azodi (formamide), CAS no. 123-77-3.

Material: Shell made from 100% recycled polypropylene with fiber glass, covered in HR foam with fabric or leather upholstery, aluminium swivel base.

Fabric usage: 1.9 meter (Shell: 1.2 meters / Seat: 0.7 meter).

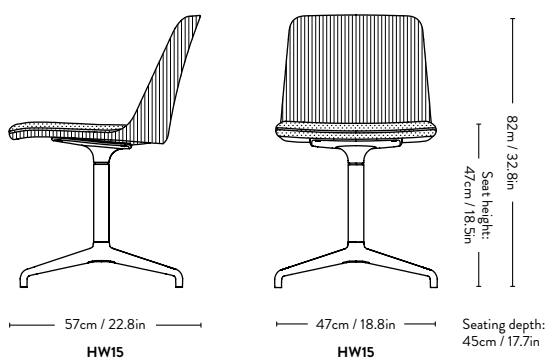
Leather usage: 2.9 square meters (Shell: 2 sqm / Seat: 0.9 sqm).

COM must be approved by &Tradition to ensure suitability for upholstery.

Plastic gliders installed as standard.

Felt gliders available upon request.

Minimum order quantity of same variant: 4 pcs.



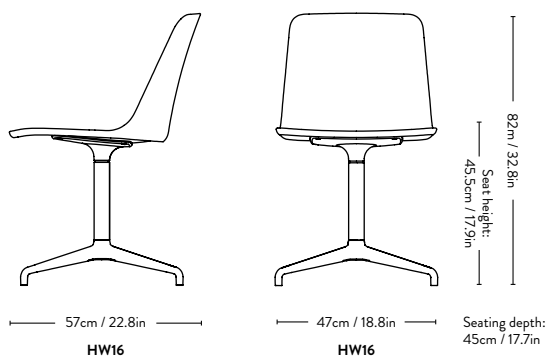
Rely ^{HW16} Hee Welling 2020



Item code	Shell Colour	Model	Base	Lead time	Weight	PRICE EX. VAT (EUR)
HW	Black	HW16	Black, Bronzed, Polished Aluminium	2-3 weeks	7.10 kg	363
HW	White	HW16	Black, Bronzed, Polished Aluminium	2-3 weeks	7.10 kg	363
HW	Beige Sand	HW16	Black, Bronzed, Polished Aluminium	2-3 weeks	7.10 kg	363
HW	Red Brown	HW16	Black, Bronzed, Polished Aluminium	2-3 weeks	7.10 kg	363
HW	Light Blue	HW16	Black, Bronzed, Polished Aluminium	2-3 weeks	7.10 kg	363
HW	Stone Grey	HW16	Black, Bronzed, Polished Aluminium	2-3 weeks	7.10 kg	363

Material: Shell made from 100% recycled polypropylene with fiber glass, aluminium swivel base with return.

Plastic gliders installed as standard.
Felt gliders available upon request.



Rely ^{HW17} Hee Welling 2020



Item code	Shell Colour	Seat Cushion Upholstery	Base	Lead time	Weight	PRICE EX. VAT (EUR)
Fabric gr. 1	Black, White, Beige Sand, Red Brown, Light Blue, Stone Grey	Canvas, Linara, Remix, Re-Wool	Black, Bronzed, Polished Aluminium	3-6 weeks	9.10 kg	476
Fabric gr. 2	Black, White, Beige Sand, Red Brown, Light Blue, Stone Grey	Clay, Divina Melange, Duke, Fiord, Hallingdal, Loop, Ritz, Ruskin, Steelcut, Steelcut Trio, Tonus, Velvet, Zero	Black, Bronzed, Polished Aluminium	3-6 weeks	9.10 kg	510
Fabric gr. 3	Black, White, Beige Sand, Red Brown, Light Blue, Stone Grey	Balder, Sisu, Skai Parotega Artificial leather*, Vidar	Black, Bronzed, Polished Aluminium	3-6 weeks	9.10 kg	556
Fabric gr. 4	Black, White, Beige Sand, Red Brown, Light Blue, Stone Grey	Baru, Fuse, Gentle, Karakorum, Karandash	Black, Bronzed, Polished Aluminium	3-6 weeks	9.10 kg	601
Leather gr. 1	Black, White, Beige Sand, Red Brown, Light Blue, Stone Grey	Tailor	Black, Bronzed, Polished Aluminium	3-6 weeks	9.10 kg	522
Leather gr. 2	Black, White, Beige Sand, Red Brown, Light Blue, Stone Grey	Noble	Black, Bronzed, Polished Aluminium	3-6 weeks	9.10 kg	556
Leather gr. 3	Black, White, Beige Sand, Red Brown, Light Blue, Stone Grey	Elmo soft leather	Black, Bronzed, Polished Aluminium	3-6 weeks	9.10 kg	590
Fabric COM	Black, White, Beige Sand, Red Brown, Light Blue, Stone Grey	COM Fabric	Black, Bronzed, Polished Aluminium	3-6 weeks	9.10 kg	476
Leather COL	Black, White, Beige Sand, Red Brown, Light Blue, Stone Grey	COL Leather	Black, Bronzed, Polished Aluminium	3-6 weeks	9.10 kg	522

*Skai Parotega Artificial leather:
This product contains 0,1-0,2% C,C'-azodi (formamide), CAS no. 123-77-3.

Material: Shell made from 100% recycled polypropylene with fiber glass, seat covered in HR foam with fabric or leather upholstery, aluminium swivel base with return function.

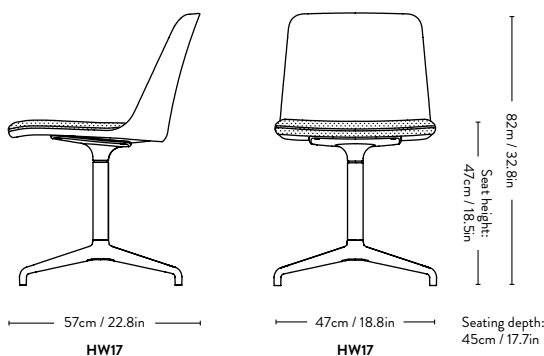
Fabric usage: 0.49 meter based on a 140 cm roll.

Leather usage: 1 square meter.

COM must be approved by &Tradition to ensure suitability for upholstery.

Plastic gliders installed as standard.

Felt gliders available upon request.



Rely ^{HW18} Hee Welling 2020



	Upholstery	Model	Base	Lead time	Weight	PRICE EX. VAT (EUR)
Fabric gr. 1	Canvas, Linara, Remix, Re-Wool	HW18	Black, Bronzed, Polished Aluminium	3-6 weeks	8.30 kg	545
Fabric gr. 2	Clay, Divina Melange, Duke, Fiord, Hallingdal, Loop, Ritz, Ruskin, Steelcut, Steelcut Trio, Tonus, Velvet, Zero	HW18	Black, Bronzed, Polished Aluminium	3-6 weeks	8.30 kg	613
Fabric gr. 3	Balder, Sisu, Skai Parotega Artificial leather*, Vidar	HW18	Black, Bronzed, Polished Aluminium	3-6 weeks	8.30 kg	692
Fabric gr. 4	Baru, Fuse, Gentle, Karakorum, Karandash	HW18	Black, Bronzed, Polished Aluminium	3-6 weeks	8.30 kg	828
Leather gr. 1	Tailor	HW18	Black, Bronzed, Polished Aluminium	3-6 weeks	8.30 kg	715
Leather gr. 2	Noble	HW18	Black, Bronzed, Polished Aluminium	3-6 weeks	8.30 kg	749
Leather gr. 3	Elmo soft leather	HW18	Black, Bronzed, Polished Aluminium	3-6 weeks	8.30 kg	795
Fabric COM	COM Fabric	HW18	Black, Bronzed, Polished Aluminium	3-6 weeks	8.30 kg	545
Leather COL	COL Leather	HW18	Black, Bronzed, Polished Aluminium	3-6 weeks	8.30 kg	715

*Skai Parotega Artificial leather:
This product contains 0,1-0,2% C,C'-azodi (formamide), CAS no. 123-77-3.

Material: Shell made from 100% recycled polypropylene with fiber glass, covered in HR foam with fabric or leather upholstery, aluminium swivel base with return function.

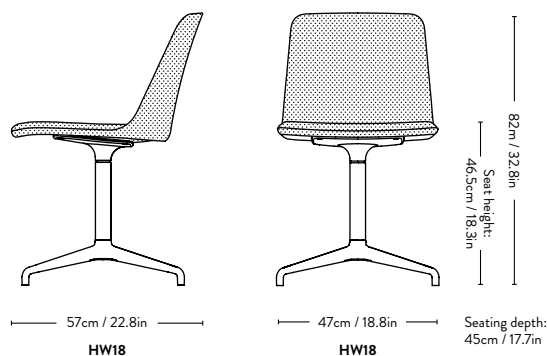
Fabric usage: 1.40 meters based on a 140cm roll.

Leather usage: 2.2 square meters.

COM must be approved by &Tradition to ensure suitability for upholstery.

Plastic gliders installed as standard.

Felt gliders available upon request.



Rely ^{HW19} Hee Welling 2020



	Upholstery	Model	Base	Lead time	Weight	PRICE EX. VAT (EUR)
Fabric gr. 1	Canvas, Linara, Remix, Re-Wool	HW19	Black, Bronzed, Polished Aluminium	3-6 weeks	9.40 kg	567
Fabric gr. 2	Clay, Divina Melange, Duke, Fiord, Hallingdal, Loop, Ritz, Ruskin, Steelcut, Steelcut Trio, Tonus, Velvet, Zero	HW19	Black, Bronzed, Polished Aluminium	3-6 weeks	9.40 kg	635
Fabric gr. 3	Balder, Sisu, Skai Parotega Artificial leather*, Vidar	HW19	Black, Bronzed, Polished Aluminium	3-6 weeks	9.40 kg	715
Fabric gr. 4	Baru, Fuse, Gentle, Karakorum, Karandash	HW19	Black, Bronzed, Polished Aluminium	3-6 weeks	9.40 kg	851
Leather gr. 1	Tailor	HW19	Black, Bronzed, Polished Aluminium	3-6 weeks	9.40 kg	738
Leather gr. 2	Noble	HW19	Black, Bronzed, Polished Aluminium	3-6 weeks	9.40 kg	772
Leather gr. 3	Elmo soft leather	HW19	Black, Bronzed, Polished Aluminium	3-6 weeks	9.40 kg	851
Fabric COM	COM Fabric	HW19	Black, Bronzed, Polished Aluminium	3-6 weeks	9.40 kg	567
Leather COL	COL Leather	HW19	Black, Bronzed, Polished Aluminium	3-6 weeks	9.40 kg	738

*Skai Parotega Artificial leather:
This product contains 0,1-0,2 % C,C'-azodi (formamide), CAS no. 123-77-3.

Material: Shell made from 100% recycled polypropylene with fiber glass, covered in HR foam with fabric or leather upholstery, aluminium swivel base with return function.

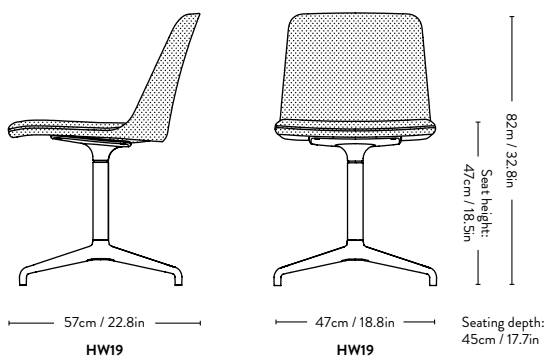
Fabric usage: 1.8 meters based on a 140cm roll.

Leather usage: 2.7 square meters.

COM must be approved by &Tradition to ensure suitability for upholstery.

Plastic gliders installed as standard.

Felt gliders available upon request.



Rely ^{HW20} Hee Welling 2020



Please note that price is accumulated price of shell & seat.

Price group	Shell Upholstery	Base	Lead time	Weight	PRICE EX. VAT (EUR)
Fabric gr. 1	Canvas, Linara, Remix, Re-Wool	Black, Bronzed, Polished Aluminium	3-6 weeks	9.40 kg	454
Fabric gr. 2	Clay, Divina Melange, Duke, Fiord, Hallingdal, Loop, Ritz, Ruskin, Steelcut, Steelcut Trio, Tonus, Velvet, Zero	Black, Bronzed, Polished Aluminium	3-6 weeks	9.40 kg	488
Fabric gr. 3	Balder, Sisu, Skai Parotega Artificial leather*, Vidar	Black, Bronzed, Polished Aluminium	3-6 weeks	9.40 kg	522
Fabric gr. 4	Baru, Fuse, Gentle, Karakorum, Karandash	Black, Bronzed, Polished Aluminium	3-6 weeks	9.40 kg	613
Leather gr. 1	Tailor	Black, Bronzed, Polished Aluminium	3-6 weeks	9.40 kg	556
Leather gr. 2	Noble	Black, Bronzed, Polished Aluminium	3-6 weeks	9.40 kg	579
Leather gr. 3	Elmo soft leather	Black, Bronzed, Polished Aluminium	3-6 weeks	9.40 kg	613
Fabric COM	COM Fabric	Black, Bronzed, Polished Aluminium	3-6 weeks	9.40 kg	454
Leather COL	COL Leather	Black, Bronzed, Polished Aluminium	3-6 weeks	9.40 kg	556

Price group	Seat Upholstery	Lead time	PRICE EX. VAT (EUR)
Fabric gr. 1	Canvas, Linara, Remix, Re-Wool	3-6 weeks	114
Fabric gr. 2	Clay, Divina Melange, Duke, Fiord, Hallingdal, Loop, Ritz, Ruskin, Steelcut, Steelcut Trio, Tonus, Velvet, Zero	3-6 weeks	148
Fabric gr. 3	Balder, Sisu, Skai Parotega Artificial leather*, Vidar	3-6 weeks	193
Fabric gr. 4	Baru, Fuse, Gentle, Karakorum, Karandash	3-6 weeks	238
Leather gr. 1	Tailor	3-6 weeks	182
Leather gr. 2	Noble	3-6 weeks	193
Leather gr. 3	Elmo soft leather	3-6 weeks	238
Fabric COM	COM Fabric	3-6 weeks	114
Leather COL	COL Leather	3-6 weeks	182

*Skai Parotega Artificial leather:
This product contains 0,1-0,2% C,C'-azodi (formamide), CAS no. 123-77-3.

Material: Shell made from 100% recycled polypropylene with fiber glass, covered in HR foam with fabric or leather upholstery, aluminium swivel base with return function.

Fabric usage: 1.9 meter (Shell: 1.2 meters / Seat: 0.7 meter).

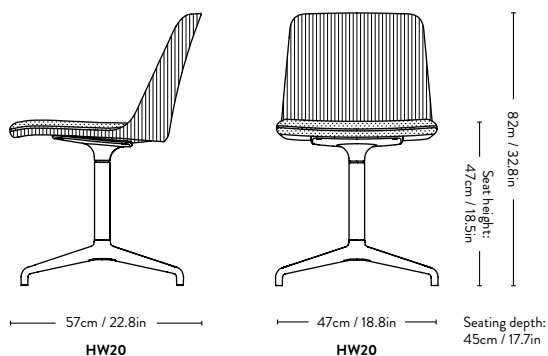
Leather usage: 2.9 square meters (Shell: 2 sqm / Seat: 0.9 sqm).

COM must be approved by &Tradition to ensure suitability for upholstery.

Plastic gliders installed as standard.

Felt gliders available upon request.

Minimum order quantity of same variant: 4 pcs.

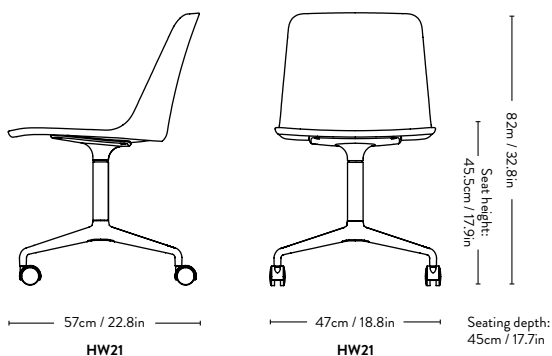


Rely ^{HW21} Hee Welling 2020



Item code	Shell Colour	Model	Base	Lead time	Weight	PRICE EX. VAT (EUR)
HW	Black	HW21	Black, Bronzed, Polished Aluminium	2-3 weeks	7.60 kg	363
HW	White	HW21	Black, Bronzed, Polished Aluminium	2-3 weeks	7.60 kg	363
HW	Beige Sand	HW21	Black, Bronzed, Polished Aluminium	2-3 weeks	7.60 kg	363
HW	Red Brown	HW21	Black, Bronzed, Polished Aluminium	2-3 weeks	7.60 kg	363
HW	Light Blue	HW21	Black, Bronzed, Polished Aluminium	2-3 weeks	7.60 kg	363
HW	Stone Grey	HW21	Black, Bronzed, Polished Aluminium	2-3 weeks	7.60 kg	363

Material: Shell made from 100% recycled polypropylene with fiber glass, aluminium swivel base with castors.



Rely ^{HW22} Hee Welling 2020



Item code	Shell Colour	Seat Cushion Upholstery	Base	Lead time	Weight	PRICE EX. VAT (EUR)
Fabric gr. 1	Black, White, Beige Sand, Red Brown, Light Blue, Stone Grey	Canvas, Linara, Remix, Re-Wool	Black, Bronzed, Polished Aluminium	3-6 weeks	9.10 kg	476
Fabric gr. 2	Black, White, Beige Sand, Red Brown, Light Blue, Stone Grey	Clay, Divina Melange, Duke, Fiord, Hallingdal, Loop, Ritz, Ruskin, Steelcut, Steelcut Trio, Tonus, Velvet, Zero	Black, Bronzed, Polished Aluminium	3-6 weeks	9.10 kg	510
Fabric gr. 3	Black, White, Beige Sand, Red Brown, Light Blue, Stone Grey	Balder, Sisu, Skai Parotega Artificial leather*, Vidar	Black, Bronzed, Polished Aluminium	3-6 weeks	9.10 kg	556
Fabric gr. 4	Black, White, Beige Sand, Red Brown, Light Blue, Stone Grey	Baru, Fuse, Gentle, Karakorom, Karandash	Black, Bronzed, Polished Aluminium	3-6 weeks	9.10 kg	601
Leather gr. 1	Black, White, Beige Sand, Red Brown, Light Blue, Stone Grey	Tailor	Black, Bronzed, Polished Aluminium	3-6 weeks	9.10 kg	522
Leather gr. 2	Black, White, Beige Sand, Red Brown, Light Blue, Stone Grey	Noble	Black, Bronzed, Polished Aluminium	3-6 weeks	9.10 kg	556
Leather gr. 3	Black, White, Beige Sand, Red Brown, Light Blue, Stone Grey	Elmo soft leather	Black, Bronzed, Polished Aluminium	3-6 weeks	9.10 kg	590
Fabric COM	Black, White, Beige Sand, Red Brown, Light Blue, Stone Grey	COM Fabric	Black, Bronzed, Polished Aluminium	3-6 weeks	9.10 kg	476
Leather COL	Black, White, Beige Sand, Red Brown, Light Blue, Stone Grey	COL Leather	Black, Bronzed, Polished Aluminium	3-6 weeks	9.10 kg	522

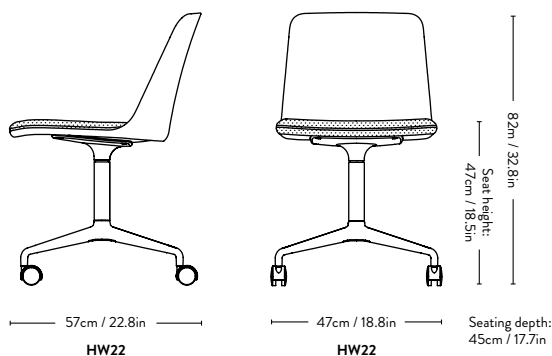
*Skai Parotega Artificial leather:
This product contains 0,1-0,2 % C,C'-azodi (formamide), CAS no. 123-77-3.

Material: Shell made from 100% recycled polypropylene with fiber glass, seat covered in HR foam with fabric or leather upholstery, aluminium swivel base with castors.

Fabric usage: 70x70cm (0.49 meter).

Leather usage: 100x100cm (1 square meter).

COM must be approved by &Tradition to ensure suitability for upholstery.



Rely ^{HW23} Hee Welling 2020



	Upholstery	Model	Base	Lead time	Weight	PRICE EX. VAT (EUR)
Fabric gr. 1	Canvas, Linara, Remix, Re-Wool	HW23	Black, Bronzed, Polished Aluminium	3-6 weeks	8.30 kg	545
Fabric gr. 2	Clay, Divina Melange, Duke, Fiord, Hallingdal, Loop, Ritz, Ruskin, Steelcut, Steelcut Trio, Tonus, Velvet, Zero	HW23	Black, Bronzed, Polished Aluminium	3-6 weeks	8.30 kg	613
Fabric gr. 3	Balder, Sisu, Skai Parotega Artificial leather*, Vidar	HW23	Black, Bronzed, Polished Aluminium	3-6 weeks	8.30 kg	692
Fabric gr. 4	Baru, Fuse, Gentle, Karakorum, Karandash	HW23	Black, Bronzed, Polished Aluminium	3-6 weeks	8.30 kg	828
Leather gr. 1	Tailor	HW23	Black, Bronzed, Polished Aluminium	3-6 weeks	8.30 kg	715
Leather gr. 2	Noble	HW23	Black, Bronzed, Polished Aluminium	3-6 weeks	8.30 kg	749
Leather gr. 3	Elmo soft leather	HW23	Black, Bronzed, Polished Aluminium	3-6 weeks	8.30 kg	806
Fabric COM	COM Fabric	HW23	Black, Bronzed, Polished Aluminium	3-6 weeks	8.30 kg	545
Leather COL	COL Leather	HW23	Black, Bronzed, Polished Aluminium	3-6 weeks	8.30 kg	715

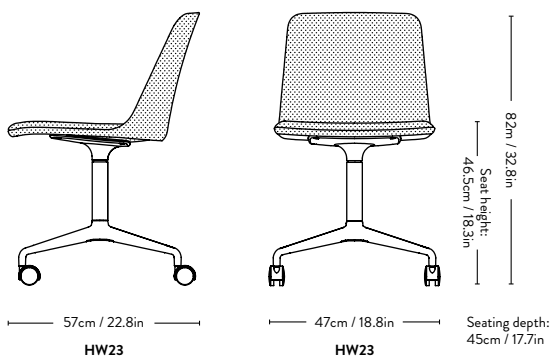
*Skai Parotega Artificial leather:
This product contains 0,1-0,2 % C,C'-azodi (formamide), CAS no. 123-77-3.

Material: Shell made from 100% recycled polypropylene with fiber glass, covered in HR foam with fabric or leather upholstery, aluminium swivel base with castors.

Fabric usage: 1.40 meters based on a 140cm roll.

Leather usage: 2.2 square meters.

COM must be approved by &Tradition to ensure suitability for upholstery.



Rely ^{HW24} Hee Welling 2020



	Upholstery	Model	Base	Lead time	Weight	PRICE EX. VAT (EUR)
Fabric gr. 1	Canvas, Linara, Remix, Re-Wool	HW24	Black, Bronzed, Polished Aluminium	3-6 weeks	9.40 kg	567
Fabric gr. 2	Clay, Divina Melange, Duke, Fiord, Hallingdal, Loop, Ritz, Ruskin, Steelcut, Steelcut Trio, Tonus, Velvet, Zero	HW24	Black, Bronzed, Polished Aluminium	3-6 weeks	9.40 kg	635
Fabric gr. 3	Balder, Sisu, Skai Parotega Artificial leather*, Vidar	HW24	Black, Bronzed, Polished Aluminium	3-6 weeks	9.40 kg	715
Fabric gr. 4	Baru, Fuse, Gentle, Karakorum, Karandash	HW24	Black, Bronzed, Polished Aluminium	3-6 weeks	9.40 kg	851
Leather gr. 1	Tailor	HW24	Black, Bronzed, Polished Aluminium	3-6 weeks	9.40 kg	738
Leather gr. 2	Noble	HW24	Black, Bronzed, Polished Aluminium	3-6 weeks	9.40 kg	772
Leather gr. 3	Elmo soft leather	HW24	Black, Bronzed, Polished Aluminium	3-6 weeks	9.40 kg	851
Fabric COM	COM Fabric	HW24	Black, Bronzed, Polished Aluminium	3-6 weeks	9.40 kg	567
Leather COL	COL Leather	HW24	Black, Bronzed, Polished Aluminium	3-6 weeks	9.40 kg	738

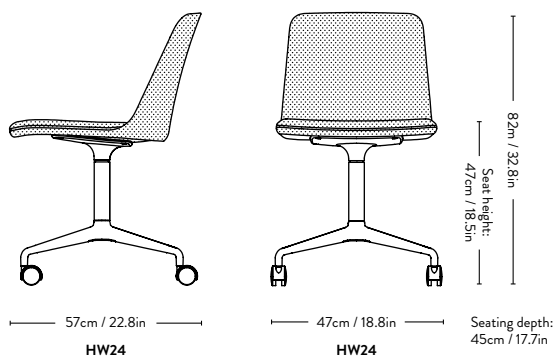
*Skai Parotega Artificial leather:
This product contains 0,1-0,2 % C,C'-azodi (formamide), CAS no. 123-77-3.

Material: Shell made from 100% recycled polypropylene with fiber glass, covered in HR foam with fabric or leather upholstery, aluminium swivel base with castors.

Fabric usage: 1.8 meters based on a 140cm roll.

Leather usage: 2.7 square meters.

COM must be approved by &Tradition to ensure suitability for upholstery.



Rely ^{HW25} Hee Welling 2020



Please note that price is accumulated price of shell & seat.

Price group	Shell Upholstery	Base	Lead time	Weight	PRICE EX. VAT (EUR)
Fabric gr. 1	Canvas, Linara, Remix, Re-Wool	Black, Bronzed, Polished Aluminium	3-6 weeks	9.40 kg	454
Fabric gr. 2	Clay, Divina Melange, Duke, Fiord, Hallingdal, Loop, Ritz, Ruskin, Steelcut, Steelcut Trio, Tonus, Velvet, Zero	Black, Bronzed, Polished Aluminium	3-6 weeks	9.40 kg	488
Fabric gr. 3	Balder, Sisu, Skai Parotega Artificial leather*, Vidar	Black, Bronzed, Polished Aluminium	3-6 weeks	9.40 kg	522
Fabric gr. 4	Baru, Fuse, Gentle, Karakorum, Karandash	Black, Bronzed, Polished Aluminium	3-6 weeks	9.40 kg	613
Leather gr. 1	Tailor	Black, Bronzed, Polished Aluminium	3-6 weeks	9.40 kg	556
Leather gr. 2	Noble	Black, Bronzed, Polished Aluminium	3-6 weeks	9.40 kg	579
Leather gr. 3	Elmo soft leather	Black, Bronzed, Polished Aluminium	3-6 weeks	9.40 kg	613
Fabric COM	COM Fabric	Black, Bronzed, Polished Aluminium	3-6 weeks	9.40 kg	454
Leather COL	COL Leather	Black, Bronzed, Polished Aluminium	3-6 weeks	9.40 kg	556

Price group	Seat Upholstery	Lead time	PRICE EX. VAT (EUR)
Fabric gr. 1	Canvas, Linara, Remix, Re-Wool	3-6 weeks	114
Fabric gr. 2	Clay, Divina Melange, Duke, Fiord, Hallingdal, Loop, Ritz, Ruskin, Steelcut, Steelcut Trio, Tonus, Velvet, Zero	3-6 weeks	148
Fabric gr. 3	Balder, Sisu, Skai Parotega Artificial leather*, Vidar	3-6 weeks	193
Fabric gr. 4	Baru, Fuse, Gentle, Karakorum, Karandash	3-6 weeks	238
Leather gr. 1	Tailor	3-6 weeks	182
Leather gr. 2	Noble	3-6 weeks	193
Leather gr. 3	Elmo soft leather	3-6 weeks	238
Fabric COM	COM Fabric	3-6 weeks	114
Leather COL	COL Leather	3-6 weeks	182

*Skai Parotega Artificial leather:
This product contains 0,1-0,2% C,C'-azodi (formamide), CAS no. 123-77-3.

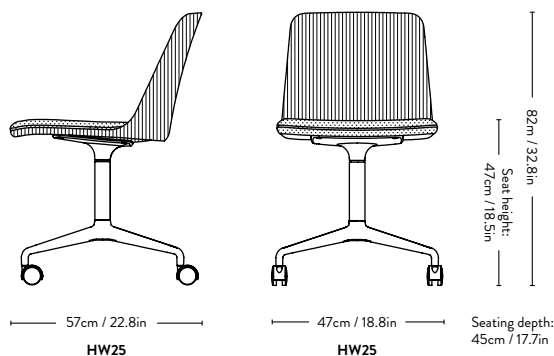
Material: Shell made from 100% recycled polypropylene with fiber glass, covered in HR foam with fabric or leather upholstery, aluminium swivel base with castors.

Fabric usage: 1.9 meter (Shell: 1.2 meters / Seat: 0.7 meter).

Leather usage: 2.9 square meters (Shell: 2 sqm / Seat: 0.9 sqm).

COM must be approved by &Tradition to ensure suitability for upholstery.

Minimum order quantity of same variant: 4 pcs.



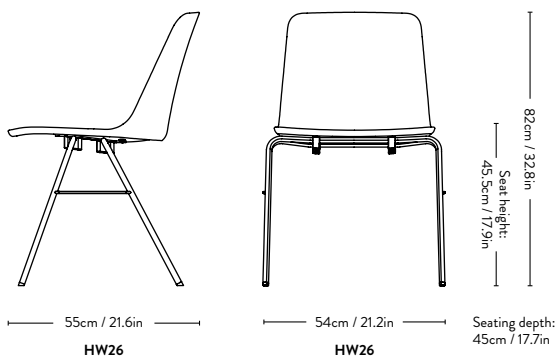
Rely ^{HW26} Hee Welling 2020



Item code	Shell Colour	Model	Base	Lead time	Weight	PRICE EX. VAT (EUR)
HW	Black	HW26	Chrome, Black	2-3 weeks	5.60 kg	204
HW	White	HW26	Chrome, Black	2-3 weeks	5.60 kg	204
HW	Beige Sand	HW26	Chrome, Black	2-3 weeks	5.60 kg	204
HW	Red Brown	HW26	Chrome, Black	2-3 weeks	5.60 kg	204
HW	Light Blue	HW26	Chrome, Black	2-3 weeks	5.60 kg	204
HW	Stone Grey	HW26	Chrome, Black	2-3 weeks	5.60 kg	204
16000000	Rely stacking trolley			2-3 weeks		510

Material: Shell made from 100% recycled polypropylene with fiber glass and a steel tube base.

Stacking quantity: 12 pcs (Chrome only).



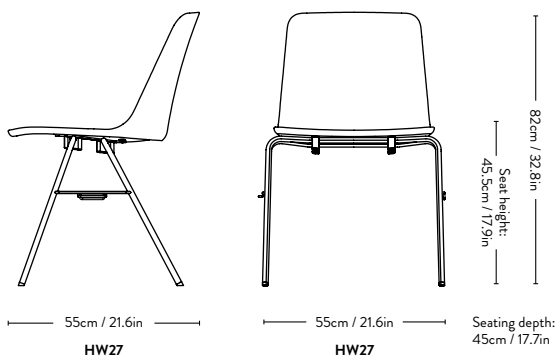
Rely ^{HW27} Hee Welling 2020



Item code	Shell Colour	Model	Base	Lead time	Weight	PRICE EX. VAT (EUR)
HW	Black	HW27	Chrome	2-3 weeks	5.60 kg	215
HW	White	HW27	Chrome	2-3 weeks	5.60 kg	215
HW	Beige Sand	HW27	Chrome	2-3 weeks	5.60 kg	215
HW	Red Brown	HW27	Chrome	2-3 weeks	5.60 kg	215
HW	Light Blue	HW27	Chrome	2-3 weeks	5.60 kg	215
HW	Stone Grey	HW27	Chrome	2-3 weeks	5.60 kg	215
16000000	Rely stacking trolley			2-3 weeks		510

Material: Shell made from 100% recycled polypropylene with fiber glass and a steel tube base.

Stacking quantity: 12 pcs

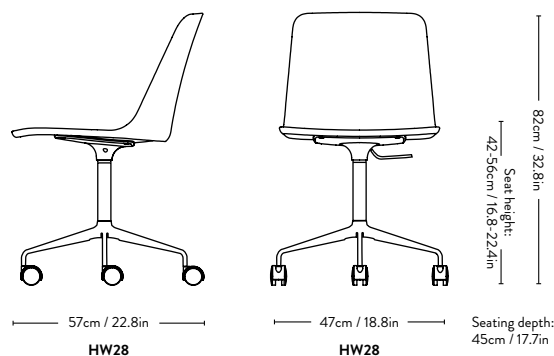


Rely ^{HW28} Hee Welling 2020



Item code	Shell Colour	Model	Base	Lead time	Weight	PRICE EX. VAT (EUR)
HW	Black	HW28	Black, Polished Aluminium	2-3 weeks	8.90 kg	397
HW	White	HW28	Black, Polished Aluminium	2-3 weeks	8.90 kg	397
HW	Beige Sand	HW28	Black, Polished Aluminium	2-3 weeks	8.90 kg	397
HW	Red Brown	HW28	Black, Polished Aluminium	2-3 weeks	8.90 kg	397
HW	Light Blue	HW28	Black, Polished Aluminium	2-3 weeks	8.90 kg	397
HW	Stone Grey	HW28	Black, Polished Aluminium	2-3 weeks	8.90 kg	397

Material: Shell made from 100% recycled polypropylene with fiber glass, cast aluminium 5-star swivel base w. gaslift & castors. Suitable for all floortypes.



Rely ^{HW29} Hee Welling 2020



Item code	Shell Colour	Seat Cushion Upholstery	Base	Lead time	Weight	PRICE EX. VAT (EUR)
Fabric gr. 1	Black, White, Beige Sand, Red Brown, Light Blue, Stone Grey	Canvas, Linara, Remix, Re-Wool	Black, Polished Aluminium	3-6 weeks	10.20 kg	510
Fabric gr. 2	Black, White, Beige Sand, Red Brown, Light Blue, Stone Grey	Clay, Divina Melange, Duke, Fiord, Hallingdal, Loop, Ritz, Ruskin, Steelcut, Steelcut Trio, Tonus, Velvet, Zero	Black, Polished Aluminium	3-6 weeks	10.20 kg	545
Fabric gr. 3	Black, White, Beige Sand, Red Brown, Light Blue, Stone Grey	Balder, Sisu, Skai Parotega Artificial leather*, Vidar	Black, Polished Aluminium	3-6 weeks	10.20 kg	590
Fabric gr. 4	Black, White, Beige Sand, Red Brown, Light Blue, Stone Grey	Baru, Fuse, Gentle, Karakorum, Karandash	Black, Polished Aluminium	3-6 weeks	10.20 kg	635
Leather gr. 1	Black, White, Beige Sand, Red Brown, Light Blue, Stone Grey	Tailor	Black, Polished Aluminium	3-6 weeks	10.20 kg	556
Leather gr. 2	Black, White, Beige Sand, Red Brown, Light Blue, Stone Grey	Noble	Black, Polished Aluminium	3-6 weeks	10.20 kg	590
Leather gr. 3	Black, White, Beige Sand, Red Brown, Light Blue, Stone Grey	Elmo soft leather	Black, Polished Aluminium	3-6 weeks	10.20 kg	624
Fabric COM	Black, White, Beige Sand, Red Brown, Light Blue, Stone Grey	COM Fabric	Black, Polished Aluminium	3-6 weeks	10.20 kg	510
Leather COL	Black, White, Beige Sand, Red Brown, Light Blue, Stone Grey	COL Leather	Black, Polished Aluminium	3-6 weeks	10.20 kg	556

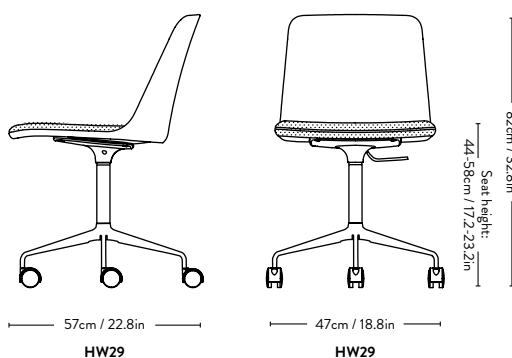
*Skai Parotega Artificial leather:
This product contains 0,1-0,2 % C,C'-azodi (formamide), CAS no. 123-77-3.

Material: Shell made from 100% recycled polypropylene with fiber glass, seat covered in HR foam with fabric or leather upholstery, cast aluminium 5-star swivel base w. gaslift & castors. Suitable for all floor types.

Fabric usage: 0.49 meter based on a 140 cm roll.

Leather usage: 1 square meter.

COM must be approved by &Tradition to ensure suitability for upholstery.



Rely ^{HW30} Hee Welling 2020



	Upholstery	Model	Base	Lead time	Weight	PRICE EX. VAT (EUR)
Fabric gr. 1	Canvas, Linara, Remix, Re-Wool	HW30	Black, Polished Aluminium	3-6 weeks	9.40 kg	579
Fabric gr. 2	Clay, Divina Melange, Duke, Fiord, Hallingdal, Loop, Ritz, Ruskin, Steelcut, Steelcut Trio, Tonus, Velvet, Zero	HW30	Black, Polished Aluminium	3-6 weeks	9.40 kg	647
Fabric gr. 3	Balder, Sisu, Skai Parotega Artificial leather*, Vidar	HW30	Black, Polished Aluminium	3-6 weeks	9.40 kg	726
Fabric gr. 4	Baru, Fuse, Gentle, Karakorum, Karandash	HW30	Black, Polished Aluminium	3-6 weeks	9.40 kg	862
Leather gr. 1	Tailor	HW30	Black, Polished Aluminium	3-6 weeks	9.40 kg	749
Leather gr. 2	Noble	HW30	Black, Polished Aluminium	3-6 weeks	9.40 kg	783
Leather gr. 3	Elmo soft leather	HW30	Black, Polished Aluminium	3-6 weeks	9.40 kg	840
Fabric COM	COM Fabric	HW30	Black, Polished Aluminium	3-6 weeks	9.40 kg	579
Leather COL	COL Leather	HW30	Black, Polished Aluminium	3-6 weeks	9.40 kg	749

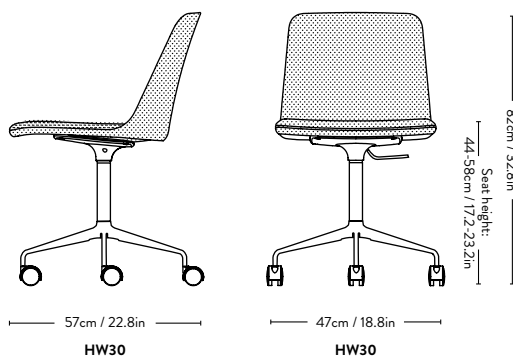
*Skai Parotega Artificial leather:
This product contains 0,1-0,2 % C,C'-azodi (formamide), CAS no. 123-77-3.

Material: Shell made from 100% recycled polypropylene with fiber glass, covered in HR foam with fabric or leather upholstery, cast aluminium 5-star swivel base w. gaslift & castors. Suitable for all floor types.

Fabric usage: 1.40 meters based on a 140cm roll.

Leather usage: 2.2 square meters.

COM must be approved by &Tradition to ensure suitability for upholstery.



Rely ^{HW31} Hee Welling 2020



	Upholstery	Model	Base	Lead time	Weight	PRICE EX. VAT (EUR)
Fabric gr. 1	Canvas, Linara, Remix, Re-Wool	HW31	Black, Polished Aluminium	3-6 weeks	10.50 kg	601
Fabric gr. 2	Clay, Divina Melange, Duke, Fiord, Hallingdal, Loop, Ritz, Ruskin, Steelcut, Steelcut Trio, Tonus, Velvet, Zero	HW31	Black, Polished Aluminium	3-6 weeks	10.50 kg	669
Fabric gr. 3	Balder, Sisu, Skai Parotega Artificial leather*, Vidar	HW31	Black, Polished Aluminium	3-6 weeks	10.50 kg	749
Fabric gr. 4	Baru, Fuse, Gentle, Karakorum, Karandash	HW31	Black, Polished Aluminium	3-6 weeks	10.50 kg	885
Leather gr. 1	Tailor	HW31	Black, Polished Aluminium	3-6 weeks	10.50 kg	772
Leather gr. 2	Noble	HW31	Black, Polished Aluminium	3-6 weeks	10.50 kg	806
Leather gr. 3	Elmo soft leather	HW31	Black, Polished Aluminium	3-6 weeks	10.50 kg	885
Fabric COM	COM Fabric	HW31	Black, Polished Aluminium	3-6 weeks	10.50 kg	601
Leather COL	COL Leather	HW31	Black, Polished Aluminium	3-6 weeks	10.50 kg	772

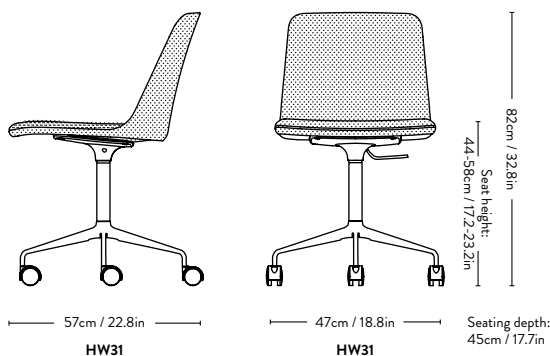
*Skai Parotega Artificial leather:
This product contains 0,1-0,2 % C,C'-azodi (formamide), CAS no. 123-77-3.

Material: Shell made from 100% recycled polypropylene with fiber glass, covered in HR foam with fabric or leather upholstery, cast aluminium 5-star swivel base w. gaslift & castors. Suitable for all floor types.

Fabric usage: 1.8 meters based on a 140cm roll.

Leather usage: 2.7 square meters.

COM must be approved by &Tradition to ensure suitability for upholstery.



Rely ^{HW32} Hee Welling 2020



Please note that price is accumulated price of shell & seat.

Price group	Shell Upholstery	Base	Lead time	Weight	PRICE EX. VAT (EUR)
Fabric gr. 1	Canvas, Linara, Remix, Re-Wool	Black, Polished Aluminium	3-6 weeks	10.50 kg	488
Fabric gr. 2	Clay, Divina Melange, Duke, Fiord, Hallingdal, Loop, Ritz, Ruskin, Steelcut, Steelcut Trio, Tonus, Velvet, Zero	Black, Polished Aluminium	3-6 weeks	10.50 kg	522
Fabric gr. 3	Balder, Sisu, Skai Parotega Artificial leather*, Vidar	Black, Polished Aluminium	3-6 weeks	10.50 kg	556
Fabric gr. 4	Baru, Fuse, Gentle, Karakorum, Karandash	Black, Polished Aluminium	3-6 weeks	10.50 kg	647
Leather gr. 1	Tailor	Black, Polished Aluminium	3-6 weeks	10.50 kg	590
Leather gr. 2	Noble	Black, Polished Aluminium	3-6 weeks	10.50 kg	613
Leather gr. 3	Elmo soft leather	Black, Polished Aluminium	3-6 weeks	10.50 kg	647
Fabric COM	COM Fabric	Black, Polished Aluminium	3-6 weeks	10.50 kg	488
Leather COL	COL Leather	Black, Polished Aluminium	3-6 weeks	10.50 kg	590

Price group	Seat Upholstery	Lead time	PRICE EX. VAT (EUR)
Fabric gr. 1	Canvas, Linara, Remix, Re-Wool	3-6 weeks	114
Fabric gr. 2	Clay, Divina Melange, Duke, Fiord, Hallingdal, Loop, Ritz, Ruskin, Steelcut, Steelcut Trio, Tonus, Velvet, Zero	3-6 weeks	148
Fabric gr. 3	Balder, Sisu, Skai Parotega Artificial leather*, Vidar	3-6 weeks	193
Fabric gr. 4	Baru, Fuse, Gentle, Karakorum, Karandash	3-6 weeks	238
Leather gr. 1	Tailor	3-6 weeks	182
Leather gr. 2	Noble	3-6 weeks	193
Leather gr. 3	Elmo soft leather	3-6 weeks	238
Fabric COM	COM Fabric	3-6 weeks	114
Leather COL	COL Leather	3-6 weeks	182

*Skai Parotega Artificial leather:
This product contains 0,1-0,2% C,C'-azodi (formamide), CAS no. 123-77-3.

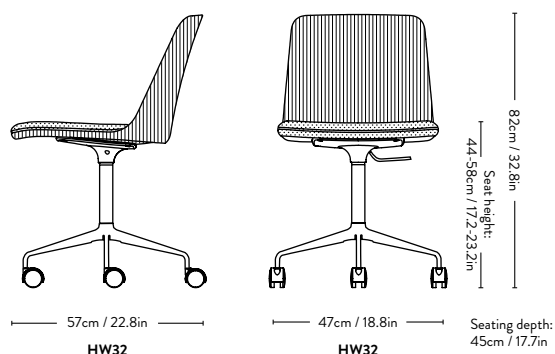
Material: Shell made from 100% recycled polypropylene with fiber glass, covered in HR foam with fabric or leather upholstery, cast aluminium 5-star swivel base w. gaslift & castors. Suitable for all floor types.

Fabric usage: 1.9 meter (Shell: 1.2 meters / Seat: 0.7 meter).

Leather usage: 2.9 square meters (Shell: 2 sqm / Seat: 0.9 sqm).

COM must be approved by &Tradition to ensure suitability for upholstery.

Minimum order quantity of same variant: 4 pcs.



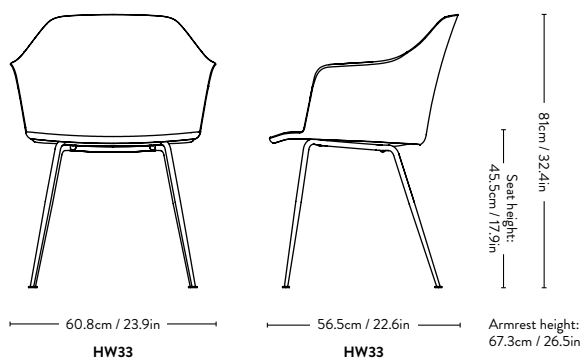
Rely ^{HW33} Hee Welling 2021



Item code	Shell Colour	Model	Base	Colli qty.	Lead time	Weight	PRICE EX. VAT (EUR)
HW	Black	HW33	Black, Bronzed, Chrome	1 pc 4 pcs	2-3 weeks	4.90 kg	249 215
HW	White	HW33	Black, Bronzed, Chrome	1 pc 4 pcs	2-3 weeks	4.90 kg	249 215
HW	Beige Sand	HW33	Black, Bronzed, Chrome	1 pc 4 pcs	2-3 weeks	4.90 kg	249 215
HW	Red Brown	HW33	Black, Bronzed, Chrome	1 pc 4 pcs	2-3 weeks	4.90 kg	249 215
HW	Light Blue	HW33	Black, Bronzed, Chrome	1 pc 4 pcs	2-3 weeks	4.90 kg	249 215
HW	Stone Grey	HW33	Black, Bronzed, Chrome	1 pc 4 pcs	2-3 weeks	4.90 kg	249 215

Material: Shell made from 100% recycled polypropylene with fiber glass and a steel tube base.

Plastic gliders installed as standard.
Felt gliders available upon request.



Rely^{HW34} Hee Welling 2021



Item code	Shell Colour	Seat Cushion Upholstery	Model	Base	Lead time	Weight	PRICE EX. VAT (EUR)
Fabric gr. 1	Black, White, Beige Sand, Red Brown, Light Blue, Stone Grey	Canvas, Linara, Remix, Re-Wool	HW34	Black, Bronzed, Chrome	3-6 weeks	6.50 kg	363
Fabric gr. 2	Black, White, Beige Sand, Red Brown, Light Blue, Stone Grey	Clay, Divina Melange, Duke, Fiord, Hallingdal, Loop, Ritz, Ruskin, Steelcut, Steelcut Trio, Tonus, Velvet, Zero	HW34	Black, Bronzed, Chrome	3-6 weeks	6.50 kg	397
Fabric gr. 3	Black, White, Beige Sand, Red Brown, Light Blue, Stone Grey	Balder, Sisu, Skai Parotega Artificial leather*, Vidar	HW34	Black, Bronzed, Chrome	3-6 weeks	6.50 kg	442
Fabric gr. 4	Black, White, Beige Sand, Red Brown, Light Blue, Stone Grey	Baru, Fuse, Gentle, Karakorum, Karandash	HW34	Black, Bronzed, Chrome	3-6 weeks	6.50 kg	488
Leather gr 1	Black, White, Beige Sand, Red Brown, Light Blue, Stone Grey	Tailor	HW34	Black, Bronzed, Chrome	3-6 weeks	6.50 kg	408
Leather gr 2	Black, White, Beige Sand, Red Brown, Light Blue, Stone Grey	Noble	HW34	Black, Bronzed, Chrome	3-6 weeks	6.50 kg	442
Leather gr. 3	Black, White, Beige Sand, Red Brown, Light Blue, Stone Grey	Elmo soft leather	HW34	Black, Bronzed, Chrome	3-6 weeks	6.50 kg	476
Fabric COM	Black, White, Beige Sand, Red Brown, Light Blue, Stone Grey	COM Fabric	HW34	Black, Bronzed, Chrome	3-6 weeks	6.50 kg	363
Leather COL	Black, White, Beige Sand, Red Brown, Light Blue, Stone Grey	COL Leather	HW34	Black, Bronzed, Chrome	3-6 weeks	6.50 kg	408

*Skai Parotega Artificial leather:
This product contains 0,1-0,2% C,C'-azodi (formamide), CAS no. 123-77-3.

Material: Shell made from 100% recycled polypropylene with fiber glass, HR foam seat covered with fabric or leather upholstery, steel tube base.

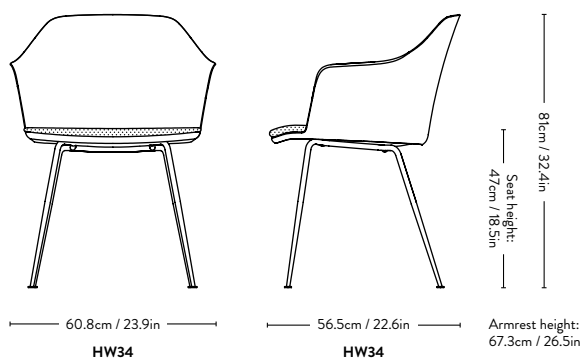
Fabric usage: 0.49 meter based on a 140 cm roll.

Leather usage: 1 square meter.

COM must be approved by &Tradition to ensure suitability for upholstery.

Plastic gliders installed as standard.

Felt gliders available upon request.



Rely ^{HW35} Hee Welling 2021



Price group	Shell Upholstery	Model	Base	Lead time	Weight	PRICE EX. VAT (EUR)
Fabric gr. 1	Canvas, Linara, Remix, Re-Wool	HW35	Black, Bronzed, Chrome	3-6 weeks	5.70 kg	476
Fabric gr. 2	Clay, Divina Melange, Duke, Fiord, Hallingdal, Loop, Ritz, Ruskin, Steelcut, Steelcut Trio, Tonus, Velvet, Zero	HW35	Black, Bronzed, Chrome	3-6 weeks	5.70 kg	545
Fabric gr. 3	Balder, Sisu, Skai Parotega Artificial leather*, Vidar	HW35	Black, Bronzed, Chrome	3-6 weeks	5.70 kg	635
Fabric gr. 4	Baru, Fuse, Gentle, Karakorum, Karandash	HW35	Black, Bronzed, Chrome	3-6 weeks	5.70 kg	851
Leather gr. 1	Tailor	HW35	Black, Bronzed, Chrome	3-6 weeks	5.70 kg	658
Leather gr. 2	Noble	HW35	Black, Bronzed, Chrome	3-6 weeks	5.70 kg	794
Leather gr. 3	Elmo soft leather	HW35	Black, Bronzed, Chrome	3-6 weeks	5.70 kg	874
Fabric COM	COM Fabric	HW35	Black, Bronzed, Chrome	3-6 weeks	5.70 kg	476
Leather COL	COL Leather	HW35	Black, Bronzed, Chrome	3-6 weeks	5.70 kg	658

*Skai Parotega Artificial leather:
This product contains 0,1-0,2% C,C'-azodi (formamide), CAS no. 123-77-3.

Material: Shell made from 100% recycled polypropylene with fiber glass, covered with HR foam with fabric or leather upholstery, steel tube base.

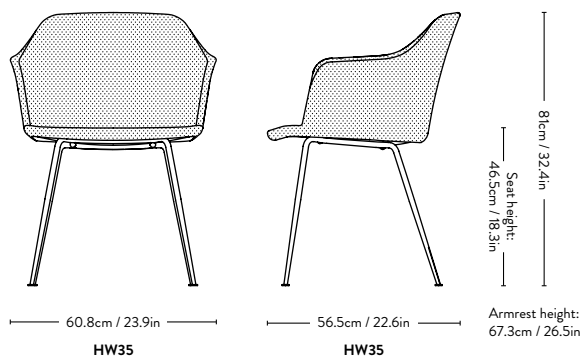
Fabric usage: 1.5 meters based on 140cm roll.

Leather usage: 2.64 square meters.

COM must be approved by &Tradition to ensure suitability for upholstery.

Plastic gliders installed as standard.

Felt gliders available upon request.



Rely ^{HW36} Hee Welling 2021



Price group	Shell Upholstery	Model	Base	Lead time	Weight	PRICE EX. VAT (EUR)
Fabric gr. 1	Canvas, Linara, Remix, Re-Wool	HW36	Black, Bronzed, Chrome	3-6 weeks	6.80 kg	397
Fabric gr. 2	Clay, Divina Melange, Duke, Fiord, Hallingdal, Loop, Ritz, Ruskin, Steelcut, Steelcut Trio, Tonus, Velvet, Zero	HW36	Black, Bronzed, Chrome	3-6 weeks	6.80 kg	431
Fabric gr. 3	Balder, Sisu, Skai Parotega Artificial leather*, Vidar	HW36	Black, Bronzed, Chrome	3-6 weeks	6.80 kg	476
Fabric gr. 4	Baru, Fuse, Gentle, Karakorum, Karandash	HW36	Black, Bronzed, Chrome	3-6 weeks	6.80 kg	647
Leather gr. 1	Tailor	HW36	Black, Bronzed, Chrome	3-6 weeks	6.80 kg	510
Leather gr. 2	Noble	HW36	Black, Bronzed, Chrome	3-6 weeks	6.80 kg	635
Leather gr. 3	Elmo soft leather	HW36	Black, Bronzed, Chrome	3-6 weeks	6.80 kg	692
Fabric COM	COM Fabric	HW36	Black, Bronzed, Chrome	3-6 weeks	6.80 kg	397
Leather COL	COL Leather	HW36	Black, Bronzed, Chrome	3-6 weeks	6.80 kg	510

*Skai Parotega Artificial leather:
This product contains 0,1-0,2 % C,C'-azodi (formamide), CAS no. 123-77-3.

Material: Shell made from 100% recycled polypropylene with fiber glass, covered with HR foam with fabric or leather upholstery, steel tube base.

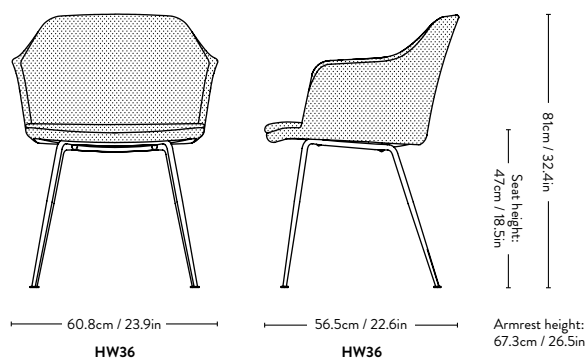
Fabric usage: 2.3 meters based on 140cm roll.

Leather usage: 3.4 square meters.

COM must be approved by &Tradition to ensure suitability for upholstery.

Plastic gliders installed as standard.

Felt gliders available upon request.



Rely ^{HW37} Hee Welling 2021



Please note that price is accumulated price of shell & seat.

Price group	Shell Upholstery	Base	Lead time	Weight	PRICE EX. VAT (EUR)
Fabric gr. 1	Canvas, Linara, Remix, Re-Wool	Black, Bronzed, Chrome	3-6 weeks	6.80 kg	355
Fabric gr. 2	Clay, Divina Melange, Duke, Fiord, Hallingdal, Loop, Ritz, Ruskin, Steelcut, Steelcut Trio, Tonus, Velvet, Zero	Black, Bronzed, Chrome	3-6 weeks	6.80 kg	375
Fabric gr. 3	Balder, Sisu, Skai Parotega Artificial leather*, Vidar	Black, Bronzed, Chrome	3-6 weeks	6.80 kg	420
Fabric gr. 4	Baru, Fuse, Gentle, Karakorum, Karandash	Black, Bronzed, Chrome	3-6 weeks	6.80 kg	490
Leather gr. 1	Tailor	Black, Bronzed, Chrome	3-6 weeks	6.80 kg	455
Leather gr. 2	Noble	Black, Bronzed, Chrome	3-6 weeks	6.80 kg	510
Leather gr. 3	Elmo soft leather	Black, Bronzed, Chrome	3-6 weeks	6.80 kg	715
Fabric COM	COM Fabric	Black, Bronzed, Chrome	3-6 weeks	6.80 kg	355
Leather COL	COL Leather	Black, Bronzed, Chrome	3-6 weeks	6.80 kg	455

Price group	Seat Upholstery	Lead time	PRICE EX. VAT (EUR)
Fabric gr. 1	Canvas, Linara, Remix, Re-Wool	3-6 weeks	114
Fabric gr. 2	Clay, Divina Melange, Duke, Fiord, Hallingdal, Loop, Ritz, Ruskin, Steelcut, Steelcut Trio, Tonus, Velvet, Zero	3-6 weeks	148
Fabric gr. 3	Balder, Sisu, Skai Parotega Artificial leather*, Vidar	3-6 weeks	193
Fabric gr. 4	Baru, Fuse, Gentle, Karakorum, Karandash	3-6 weeks	238
Leather gr. 1	Tailor	3-6 weeks	182
Leather gr. 2	Noble	3-6 weeks	193
Leather gr. 3	Elmo soft leather	3-6 weeks	238
Fabric COM	COM Fabric	3-6 weeks	114
Leather COL	COL Leather	3-6 weeks	182

*Skai Parotega Artificial leather:
This product contains 0,1-0,2% C,C'-azodi (formamide), CAS no. 123-77-3.

Material: Shell made from 100% recycled polypropylene with fiber glass, covered with HR foam with fabric or leather upholstery, steel tube base.

Fabric usage: 1.5 meters (shell), 0.77 meters (cushion) based on 140cm roll.

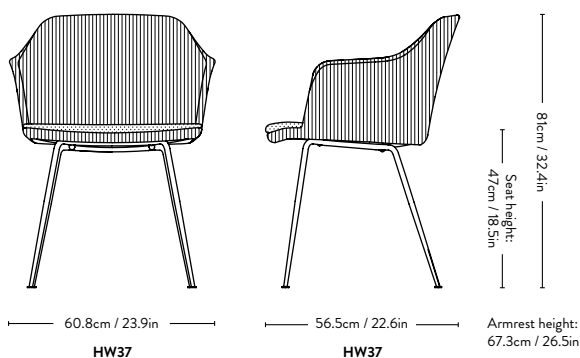
Leather usage: 2.64 square meters (shell), 0.77 square meters (cushion).

COM must be approved by &Tradition to ensure suitability for upholstery.

Plastic gliders installed as standard.

Felt gliders available upon request.

Minimum order quantity of same variant: 4 pcs.



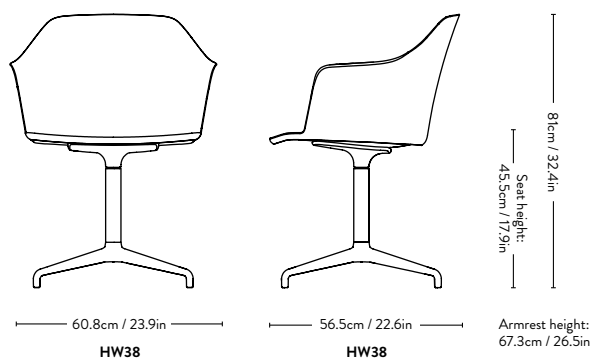
Rely ^{HW38} Hee Welling 2021



Item code	Shell Colour	Model	Base	Lead time	Weight	PRICE EX. VAT (EUR)
HW	Black	HW38	Black, Bronzed, Polished Aluminium	2-3 weeks	7.10 kg	351
HW	White	HW38	Black, Bronzed, Polished Aluminium	2-3 weeks	7.10 kg	351
HW	Beige Sand	HW38	Black, Bronzed, Polished Aluminium	2-3 weeks	7.10 kg	351
HW	Red Brown	HW38	Black, Bronzed, Polished Aluminium	2-3 weeks	7.10 kg	351
HW	Light Blue	HW38	Black, Bronzed, Polished Aluminium	2-3 weeks	7.10 kg	351
HW	Stone Grey	HW38	Black, Bronzed, Polished Aluminium	2-3 weeks	7.10 kg	351

Material: Shell made from 100% recycled polypropylene with fiber glass and an aluminium swivel base.

Plastic gliders installed as standard.
Felt gliders available upon request.



Rely ^{HW39} Hee Welling 2021



Item code	Shell Colour	Seat Cushion Upholstery	Base	Lead time	Weight	PRICE EX. VAT (EUR)
Fabric gr. 1	Black, White, Beige Sand, Red Brown, Light Blue, Stone Grey	Canvas, Linara, Remix, Re-Wool	Black, Bronzed, Polished Aluminium	3-6 weeks	9.10 kg	465
Fabric gr. 2	Black, White, Beige Sand, Red Brown, Light Blue, Stone Grey	Clay, Divina Melange, Duke, Fiord, Hallingdal, Loop, Ritz, Ruskin, Steelcut, Steelcut Trio, Tonus, Velvet, Zero	Black, Bronzed, Polished Aluminium	3-6 weeks	9.10 kg	499
Fabric gr. 3	Black, White, Beige Sand, Red Brown, Light Blue, Stone Grey	Balder, Sisu, Skai Parotega Artificial leather*, Vidar	Black, Bronzed, Polished Aluminium	3-6 weeks	9.10 kg	545
Fabric gr. 4	Black, White, Beige Sand, Red Brown, Light Blue, Stone Grey	Baru, Fuse, Gentle, Karakorom, Karandash	Black, Bronzed, Polished Aluminium	3-6 weeks	9.10 kg	590
Leather gr. 1	Black, White, Beige Sand, Red Brown, Light Blue, Stone Grey	Tailor	Black, Bronzed, Polished Aluminium	3-6 weeks	9.10 kg	510
Leather gr. 2	Black, White, Beige Sand, Red Brown, Light Blue, Stone Grey	Noble	Black, Bronzed, Polished Aluminium	3-6 weeks	9.10 kg	545
Leather gr. 3	Black, White, Beige Sand, Red Brown, Light Blue, Stone Grey	Elmo soft leather	Black, Bronzed, Polished Aluminium	3-6 weeks	9.10 kg	579
Fabric COM	Black, White, Beige Sand, Red Brown, Light Blue, Stone Grey	COM Fabric	Black, Bronzed, Polished Aluminium	3-6 weeks	9.10 kg	465
Leather COL	Black, White, Beige Sand, Red Brown, Light Blue, Stone Grey	COL Leather	Black, Bronzed, Polished Aluminium	3-6 weeks	9.10 kg	510

*Skai Parotega Artificial leather:
This product contains 0,1-0,2 % C,C'-azodi (formamide), CAS no. 123-77-3.

Material: Shell made from 100% recycled polypropylene with fiber glass, HR foam seat covered with fabric or leather upholstery, aluminium swivel base.

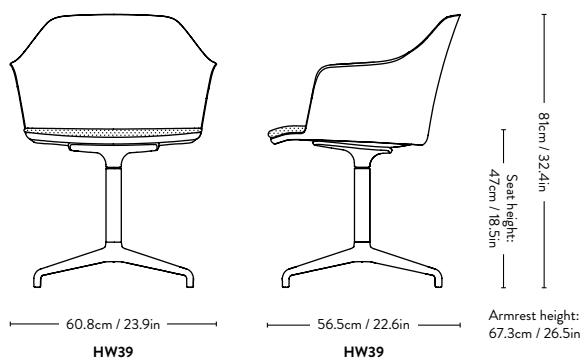
Fabric usage: 0.49 meter based on a 140 cm roll.

Leather usage: 1 square meter.

COM must be approved by &Tradition to ensure suitability for upholstery.

Plastic gliders installed as standard.

Felt gliders available upon request.



Rely ^{HW40} Hee Welling 2021



Price group	Shell Upholstery	Model	Base	Lead time	Weight	PRICE EX. VAT (EUR)
Fabric gr. 1	Canvas, Linara, Remix, Re-Wool	HW40	Black, Bronzed, Polished Aluminium	3-6 weeks	8.30 kg	556
Fabric gr. 2	Clay, Divina Melange, Duke, Fiord, Hallingdal, Loop, Ritz, Ruskin, Steelcut, Steelcut Trio, Tonus, Velvet, Zero	HW40	Black, Bronzed, Polished Aluminium	3-6 weeks	8.30 kg	624
Fabric gr. 3	Balder, Sisu, Skai Parotega Artificial leather*, Vidar	HW40	Black, Bronzed, Polished Aluminium	3-6 weeks	8.30 kg	715
Fabric gr. 4	Baru, Fuse, Gentle, Karakorum, Karandash	HW40	Black, Bronzed, Polished Aluminium	3-6 weeks	8.30 kg	931
Leather gr. 1	Tailor	HW40	Black, Bronzed, Polished Aluminium	3-6 weeks	8.30 kg	738
Leather gr. 2	Noble	HW40	Black, Bronzed, Polished Aluminium	3-6 weeks	8.30 kg	730
Leather gr. 3	Elmo soft leather	HW40	Black, Bronzed, Polished Aluminium	3-6 weeks	8.30 kg	953
Fabric COM	COM Fabric	HW40	Black, Bronzed, Polished Aluminium	3-6 weeks	8.30 kg	556
Leather COL	COL Leather	HW40	Black, Bronzed, Polished Aluminium	3-6 weeks	8.30 kg	738

*Skai Parotega Artificial leather:

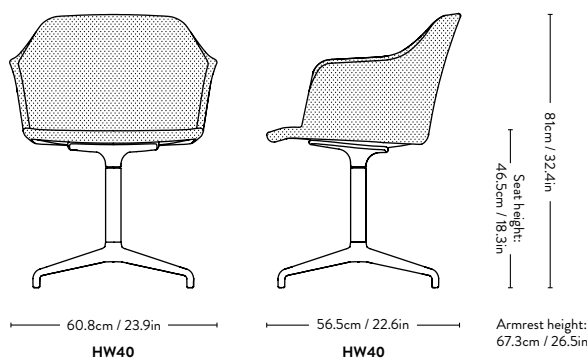
This product contains 0,1-0,2 % C,C'-azodi (formamide), CAS no. 123-77-3.

Material: Shell made from 100% recycled polypropylene with fiber glass, covered with HR foam with fabric or leather upholstery, aluminium swivel base.

Fabric usage: 1.5 meters based on 140cm roll.

Leather usage: 2.64 square meters.

COM must be approved by &Tradition to ensure suitability for upholstery.



Rely ^{HW41} Hee Welling 2021



Price group	Shell Upholstery	Model	Base	Lead time	Weight	PRICE EX. VAT (EUR)
Fabric gr. 1	Canvas, Linara, Remix, Re-Wool	HW41	Black, Bronzed, Polished Aluminium	3-6 weeks	9.40 kg	590
Fabric gr. 2	Clay, Divina Melange, Duke, Fiord, Hallingdal, Loop, Ritz, Ruskin, Steelcut, Steelcut Trio, Tonus, Velvet, Zero	HW41	Black, Bronzed, Polished Aluminium	3-6 weeks	9.40 kg	658
Fabric gr. 3	Balder, Sisu, Skai Parotega Artificial leather*, Vidar	HW41	Black, Bronzed, Polished Aluminium	3-6 weeks	9.40 kg	749
Fabric gr. 4	Baru, Fuse, Gentle, Karakorum, Karandash	HW41	Black, Bronzed, Polished Aluminium	3-6 weeks	9.40 kg	965
Leather gr. 1	Tailor	HW41	Black, Bronzed, Polished Aluminium	3-6 weeks	9.40 kg	772
Leather gr. 2	Noble	HW41	Black, Bronzed, Polished Aluminium	3-6 weeks	9.40 kg	908
Leather gr. 3	Elmo soft leather	HW41	Black, Bronzed, Polished Aluminium	3-6 weeks	9.40 kg	1.010
Fabric COM	COM Fabric	HW41	Black, Bronzed, Polished Aluminium	3-6 weeks	9.40 kg	590
Leather COL	COL Leather	HW41	Black, Bronzed, Polished Aluminium	3-6 weeks	9.40 kg	772

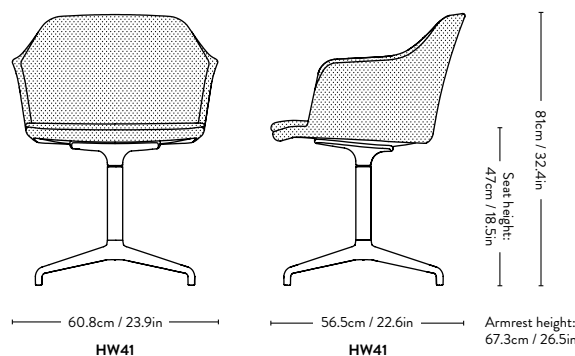
*Skai Parotega Artificial leather:
This product contains 0,1-0,2 % C,C'-azodi (formamide), CAS no. 123-77-3.

Material: Shell made from 100% recycled polypropylene with fiber glass, covered with HR foam with fabric or leather upholstery, aluminium swivel base.

Fabric usage: 2.3 meters based on 140cm roll.

Leather usage: 3.4 square meters.

COM must be approved by &Tradition to ensure suitability for upholstery.



Rely ^{HW42} Hee Welling 2021



Please note that price is accumulated price of shell & seat.

Price group	Shell Upholstery	Base	Lead time	Weight	PRICE EX. VAT (EUR)
Fabric gr. 1	Canvas, Linara, Remix, Re-Wool	Black, Bronzed, Polished Aluminium	3-6 weeks	9.40 kg	476
Fabric gr. 2	Clay, Divina Melange, Duke, Fiord, Hallingdal, Loop, Ritz, Ruskin, Steelcut, Steelcut Trio, Tonus, Velvet, Zero	Black, Bronzed, Polished Aluminium	3-6 weeks	9.40 kg	510
Fabric gr. 3	Balder, Sisu, Skai Parotega Artificial leather*, Vidar	Black, Bronzed, Polished Aluminium	3-6 weeks	9.40 kg	556
Fabric gr. 4	Baru, Fuse, Gentle, Karakorum, Karandash	Black, Bronzed, Polished Aluminium	3-6 weeks	9.40 kg	726
Leather gr. 1	Tailor	Black, Bronzed, Polished Aluminium	3-6 weeks	9.40 kg	590
Leather gr. 2	Noble	Black, Bronzed, Polished Aluminium	3-6 weeks	9.40 kg	715
Leather gr. 3	Elmo soft leather	Black, Bronzed, Polished Aluminium	3-6 weeks	9.40 kg	772
Fabric COM	COM Fabric	Black, Bronzed, Polished Aluminium	3-6 weeks	9.40 kg	476
Leather COL	COL Leather	Black, Bronzed, Polished Aluminium	3-6 weeks	9.40 kg	590

Price group	Seat Upholstery	Lead time	PRICE EX. VAT (EUR)
Fabric gr. 1	Canvas, Linara, Remix, Re-Wool	3-6 weeks	114
Fabric gr. 2	Clay, Divina Melange, Duke, Fiord, Hallingdal, Loop, Ritz, Ruskin, Steelcut, Steelcut Trio, Tonus, Velvet, Zero	3-6 weeks	148
Fabric gr. 3	Balder, Sisu, Skai Parotega Artificial leather*, Vidar	3-6 weeks	193
Fabric gr. 4	Baru, Fuse, Gentle, Karakorum, Karandash	3-6 weeks	238
Leather gr. 1	Tailor	3-6 weeks	182
Leather gr. 2	Noble	3-6 weeks	193
Leather gr. 3	Elmo soft leather	3-6 weeks	238
Fabric COM	COM Fabric	3-6 weeks	114
Leather COL	COL Leather	3-6 weeks	182

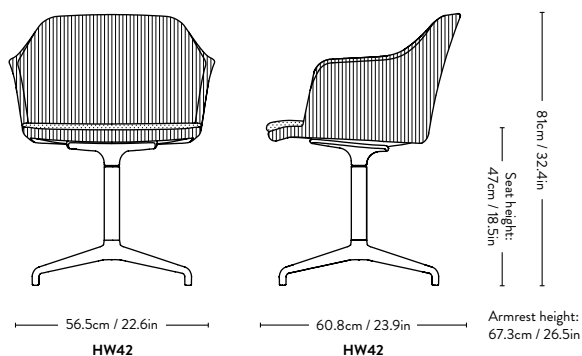
*Skai Parotega Artificial leather:
This product contains 0,1-0,2 % C,C'-azodi (formamide), CAS no. 123-77-3.

Material: Shell made from 100% recycled polypropylene with fiber glass, covered with HR foam with fabric or leather upholstery, aluminium swivel base.

Fabric usage: 1.5 meters (shell), 0.77 meters (cushion) based on 140cm roll.
Leather usage: 2.64 square meters (shell), 0.77 square meters (cushion).

COM must be approved by &Tradition to ensure suitability for upholstery.

Minimum order quantity of same variant: 4 pcs.



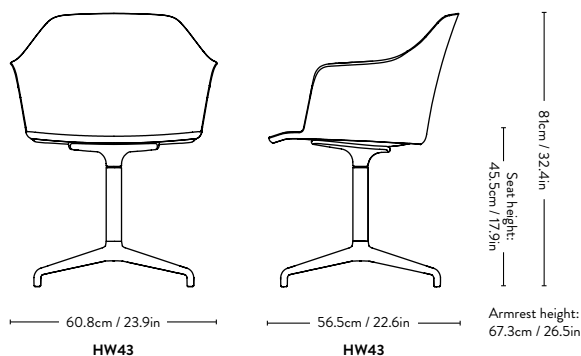
Rely ^{HW43} Hee Welling 2021



Item code	Shell Colour	Model	Base	Lead time	Weight	PRICE EX. VAT (EUR)
HW	Black	HW43	Black, Bronzed, Polished Aluminium	2-3 weeks	7.10 kg	397
HW	White	HW43	Black, Bronzed, Polished Aluminium	2-3 weeks	7.10 kg	397
HW	Beige Sand	HW43	Black, Bronzed, Polished Aluminium	2-3 weeks	7.10 kg	397
HW	Red Brown	HW43	Black, Bronzed, Polished Aluminium	2-3 weeks	7.10 kg	397
HW	Light Blue	HW43	Black, Bronzed, Polished Aluminium	2-3 weeks	7.10 kg	397
HW	Stone Grey	HW43	Black, Bronzed, Polished Aluminium	2-3 weeks	7.10 kg	397

Material: Shell made from 100% recycled polypropylene with fiber glass and an aluminium swivel base w. return function.

Plastic gliders installed as standard.
Felt gliders available upon request.



Rely ^{HW44} Hee Welling 2021



Item code	Shell Colour	Seat Cushion Upholstery	Base	Lead time	Weight	PRICE EX. VAT (EUR)
Fabric gr. 1	Black, White, Beige Sand, Red Brown, Light Blue, Stone Grey	Canvas, Linara, Remix, Re-Wool	Black, Bronzed, Polished Aluminium	3-6 weeks	9.10 kg	510
Fabric gr. 2	Black, White, Beige Sand, Red Brown, Light Blue, Stone Grey	Clay, Divina Melange, Duke, Fiord, Hallingdal, Loop, Ritz, Ruskin, Steelcut, Steelcut Trio, Tonus, Velvet, Zero	Black, Bronzed, Polished Aluminium	3-6 weeks	9.10 kg	545
Fabric gr. 3	Black, White, Beige Sand, Red Brown, Light Blue, Stone Grey	Balder, Sisu, Skai Parotega Artificial leather*, Vidar	Black, Bronzed, Polished Aluminium	3-6 weeks	9.10 kg	590
Fabric gr. 4	Black, White, Beige Sand, Red Brown, Light Blue, Stone Grey	Baru, Fuse, Gentle, Karakorom, Karandash	Black, Bronzed, Polished Aluminium	3-6 weeks	9.10 kg	635
Leather gr. 1	Black, White, Beige Sand, Red Brown, Light Blue, Stone Grey	Tailor	Black, Bronzed, Polished Aluminium	3-6 weeks	9.10 kg	556
Leather gr. 2	Black, White, Beige Sand, Red Brown, Light Blue, Stone Grey	Noble	Black, Bronzed, Polished Aluminium	3-6 weeks	9.10 kg	590
Leather gr. 3	Black, White, Beige Sand, Red Brown, Light Blue, Stone Grey	Elmo soft leather	Black, Bronzed, Polished Aluminium	3-6 weeks	9.10 kg	624
Fabric COM	Black, White, Beige Sand, Red Brown, Light Blue, Stone Grey	COM Fabric	Black, Bronzed, Polished Aluminium	3-6 weeks	9.10 kg	510
Leather COL	Black, White, Beige Sand, Red Brown, Light Blue, Stone Grey	COL Leather	Black, Bronzed, Polished Aluminium	3-6 weeks	9.10 kg	556

*Skai Parotega Artificial leather:
This product contains 0,1-0,2% C,C'-azodi (formamide), CAS no. 123-77-3.

Material: Shell made from 100% recycled polypropylene with fiber glass, HR foam seat covered with fabric or leather upholstery, aluminium swivel base w. return function.

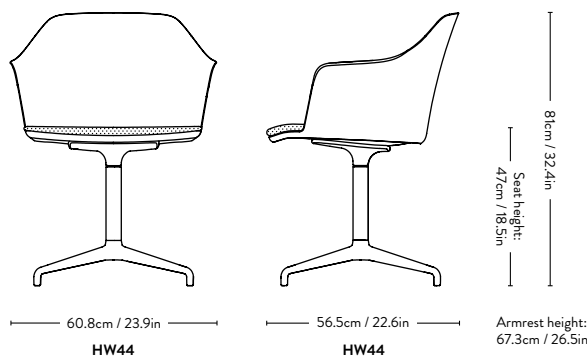
Fabric usage: 0.49 meter based on a 140 cm roll.

Leather usage: 1 square meter.

COM must be approved by &Tradition to ensure suitability for upholstery.

Plastic gliders installed as standard.

Felt gliders available upon request.



Rely ^{HW45} Hee Welling 2021



Price group	Shell Upholstery	Model	Base	Lead time	Weight	PRICE EX. VAT (EUR)
Fabric gr. 1	Canvas, Linara, Remix, Re-Wool	HW45	Black, Bronzed, Polished Aluminium	3-6 weeks	8.30 kg	601
Fabric gr. 2	Clay, Divina Melange, Duke, Fiord, Hallingdal, Loop, Ritz, Ruskin, Steelcut, Steelcut Trio, Tonus, Velvet, Zero	HW45	Black, Bronzed, Polished Aluminium	3-6 weeks	8.30 kg	669
Fabric gr. 3	Balder, Sisu, Skai Parotega Artificial leather*, Vidar	HW45	Black, Bronzed, Polished Aluminium	3-6 weeks	8.30 kg	760
Fabric gr. 4	Baru, Fuse, Gentle, Karakorum, Karandash	HW45	Black, Bronzed, Polished Aluminium	3-6 weeks	8.30 kg	976
Leather gr. 1	Tailor	HW45	Black, Bronzed, Polished Aluminium	3-6 weeks	8.30 kg	783
Leather gr. 2	Noble	HW45	Black, Bronzed, Polished Aluminium	3-6 weeks	8.30 kg	919
Leather gr. 3	Elmo soft leather	HW45	Black, Bronzed, Polished Aluminium	3-6 weeks	8.30 kg	999
Fabric COM	COM Fabric	HW45	Black, Bronzed, Polished Aluminium	3-6 weeks	8.30 kg	601
Leather COL	COL Leather	HW45	Black, Bronzed, Polished Aluminium	3-6 weeks	8.30 kg	783

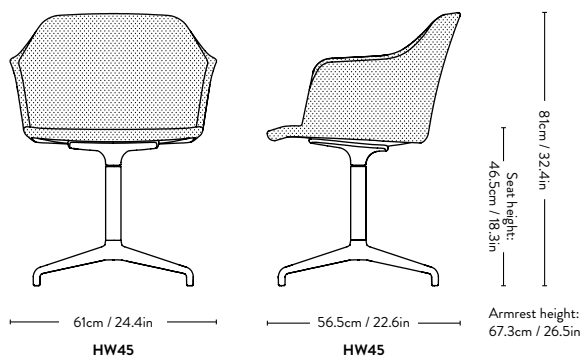
*Skai Parotega Artificial leather:
This product contains 0,1-0,2 % C,C'-azodi (formamide), CAS no. 123-77-3.

Material: Shell made from 100% recycled polypropylene with fiber glass, covered with HR foam with fabric or leather upholstery, aluminium swivel base with return.

Fabric usage: 1.7 meters based on 140cm roll.

Leather usage: 3 square meters.

COM must be approved by &Tradition to ensure suitability for upholstery.



Rely ^{HW46} Hee Welling 2021



Price group	Shell Upholstery	Model	Base	Lead time	Weight	PRICE EX. VAT (EUR)
Fabric gr. 1	Canvas, Linara, Remix, Re-Wool	HW46	Black, Bronzed, Polished Aluminium	3-6 weeks	9.40 kg	635
Fabric gr. 2	Clay, Divina Melange, Duke, Fiord, Hallingdal, Loop, Ritz, Ruskin, Steelcut, Steelcut Trio, Tonus, Velvet, Zero	HW46	Black, Bronzed, Polished Aluminium	3-6 weeks	9.40 kg	703
Fabric gr. 3	Balder, Sisu, Skai Parotega Artificial leather*, Vidar	HW46	Black, Bronzed, Polished Aluminium	3-6 weeks	9.40 kg	794
Fabric gr. 4	Baru, Fuse, Gentle, Karakorum, Karandash	HW46	Black, Bronzed, Polished Aluminium	3-6 weeks	9.40 kg	1.010
Leather gr. 1	Tailor	HW46	Black, Bronzed, Polished Aluminium	3-6 weeks	9.40 kg	817
Leather gr. 2	Noble	HW46	Black, Bronzed, Polished Aluminium	3-6 weeks	9.40 kg	953
Leather gr. 3	Elmo soft leather	HW46	Black, Bronzed, Polished Aluminium	3-6 weeks	9.40 kg	1.056
Fabric COM	COM Fabric	HW46	Black, Bronzed, Polished Aluminium	3-6 weeks	9.40 kg	635
Leather COL	COL Leather	HW46	Black, Bronzed, Polished Aluminium	3-6 weeks	9.40 kg	817

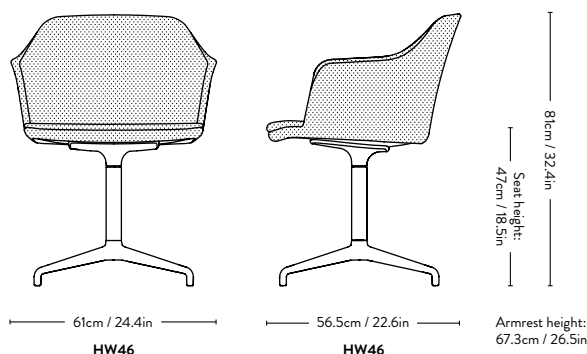
*Skai Parotega Artificial leather:
This product contains 0,1-0,2 % C,C'-azodi (formamide), CAS no. 123-77-3.

Material: Shell made from 100% recycled polypropylene with fiber glass, covered with HR foam with fabric or leather upholstery, aluminium swivel base with return.

Fabric usage: 2.3 meters based on 140cm roll.

Leather usage: 3.4 square meters.

COM must be approved by &Tradition to ensure suitability for upholstery.



Rely ^{HW47} Hee Welling 2021



Please note that price is accumulated price of shell & seat.

Price group	Shell Upholstery	Base	Lead time	Weight	PRICE EX. VAT (EUR)
Fabric gr. 1	Canvas, Linara, Remix, Re-Wool	Black, Bronzed, Polished Aluminium	3-6 weeks	9.40 kg	522
Fabric gr. 2	Clay, Divina Melange, Duke, Fiord, Hallingdal, Loop, Ritz, Ruskin, Steelcut, Steelcut Trio, Tonus, Velvet, Zero	Black, Bronzed, Polished Aluminium	3-6 weeks	9.40 kg	556
Fabric gr. 3	Balder, Sisu, Skai Parotega Artificial leather*, Vidar	Black, Bronzed, Polished Aluminium	3-6 weeks	9.40 kg	601
Fabric gr. 4	Baru, Fuse, Gentle, Karakorum, Karandash	Black, Bronzed, Polished Aluminium	3-6 weeks	9.40 kg	772
Leather gr. 1	Tailor	Black, Bronzed, Polished Aluminium	3-6 weeks	9.40 kg	635
Leather gr. 2	Noble	Black, Bronzed, Polished Aluminium	3-6 weeks	9.40 kg	760
Leather gr. 3	Elmo soft leather	Black, Bronzed, Polished Aluminium	3-6 weeks	9.40 kg	817
Fabric COM	COM Fabric	Black, Bronzed, Polished Aluminium	3-6 weeks	9.40 kg	522
Leather COL	COL Leather	Black, Bronzed, Polished Aluminium	3-6 weeks	9.40 kg	635

Price group	Seat Upholstery	Lead time	PRICE EX. VAT (EUR)
Fabric gr. 1	Canvas, Linara, Remix, Re-Wool	3-6 weeks	114
Fabric gr. 2	Clay, Divina Melange, Duke, Fiord, Hallingdal, Loop, Ritz, Ruskin, Steelcut, Steelcut Trio, Tonus, Velvet, Zero	3-6 weeks	148
Fabric gr. 3	Balder, Sisu, Skai Parotega Artificial leather*, Vidar	3-6 weeks	193
Fabric gr. 4	Baru, Fuse, Gentle, Karakorum, Karandash	3-6 weeks	238
Leather gr. 1	Tailor	3-6 weeks	182
Leather gr. 2	Noble	3-6 weeks	193
Leather gr. 3	Elmo soft leather	3-6 weeks	238
Fabric COM	COM Fabric	3-6 weeks	114
Leather COL	COL Leather	3-6 weeks	182

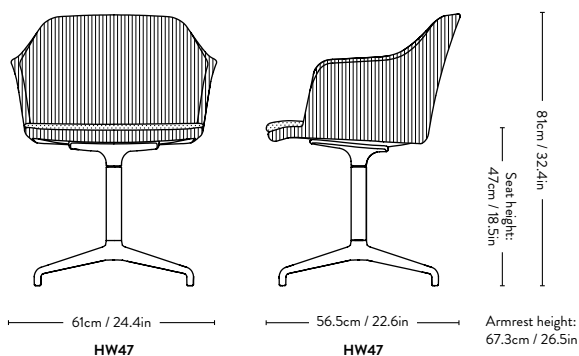
*Skai Parotega Artificial leather:
This product contains 0,1-0,2 % C,C'-azodi (formamide), CAS no. 123-77-3.

Material: Shell made from 100% recycled polypropylene with fiber glass, covered with HR foam with fabric or leather upholstery, aluminium swivel base with return.

Fabric usage: 1.5 meters (shell), 0.77 meters (cushion) based on 140cm roll.
Leather usage: 2.64 square meters (shell), 0.77 square meters (cushion).

COM must be approved by &Tradition to ensure suitability for upholstery.

Minimum order quantity of same variant: 4 pcs.



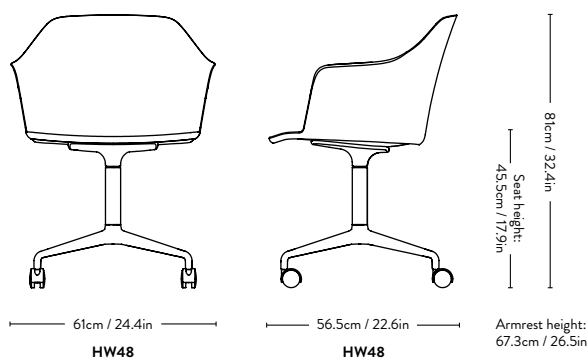
Rely ^{HW48} Hee Welling 2021



Item code	Shell Colour	Model	Base	Lead time	Weight	PRICE EX. VAT (EUR)
HW	Black	HW48	Black, Bronzed, Polished Aluminium	2-3 weeks	9.40 kg	397
HW	White	HW48	Black, Bronzed, Polished Aluminium	2-3 weeks	9.40 kg	397
HW	Beige Sand	HW48	Black, Bronzed, Polished Aluminium	2-3 weeks	9.40 kg	397
HW	Red Brown	HW48	Black, Bronzed, Polished Aluminium	2-3 weeks	9.40 kg	397
HW	Light Blue	HW48	Black, Bronzed, Polished Aluminium	2-3 weeks	9.40 kg	397
HW	Stone Grey	HW48	Black, Bronzed, Polished Aluminium	2-3 weeks	9.40 kg	397

Material: Shell made from 100% recycled polypropylene with fiber glass, aluminium swivel base with castors.

Suitable for all floor types.



Rely ^{HW49} Hee Welling 2021



Item code	Shell Colour	Seat Cushion Upholstery	Base	Lead time	Weight	PRICE EX. VAT (EUR)
Fabric gr. 1	Black, White, Beige Sand, Red Brown, Light Blue, Stone Grey	Canvas, Linara, Remix, Re-Wool	Black, Bronzed, Polished Aluminium	3-6 weeks	10.70 kg	510
Fabric gr. 2	Black, White, Beige Sand, Red Brown, Light Blue, Stone Grey	Clay, Divina Melange, Duke, Fiord, Hallingdal, Loop, Ritz, Ruskin, Steelcut, Steelcut Trio, Tonus, Velvet, Zero	Black, Bronzed, Polished Aluminium	3-6 weeks	10.70 kg	545
Fabric gr. 3	Black, White, Beige Sand, Red Brown, Light Blue, Stone Grey	Balder, Sisu, Skai Parotega Artificial leather*, Vidar	Black, Bronzed, Polished Aluminium	3-6 weeks	10.70 kg	590
Fabric gr. 4	Black, White, Beige Sand, Red Brown, Light Blue, Stone Grey	Baru, Fuse, Gentle, Karakorum, Karandash	Black, Bronzed, Polished Aluminium	3-6 weeks	10.70 kg	635
Leather gr. 1	Black, White, Beige Sand, Red Brown, Light Blue, Stone Grey	Tailor	Black, Bronzed, Polished Aluminium	3-6 weeks	10.70 kg	556
Leather gr. 2	Black, White, Beige Sand, Red Brown, Light Blue, Stone Grey	Noble	Black, Bronzed, Polished Aluminium	3-6 weeks	10.70 kg	590
Leather gr. 3	Black, White, Beige Sand, Red Brown, Light Blue, Stone Grey	Elmo soft leather	Black, Bronzed, Polished Aluminium	3-6 weeks	10.70 kg	624
Fabric COM	Black, White, Beige Sand, Red Brown, Light Blue, Stone Grey	COM Fabric	Black, Bronzed, Polished Aluminium	3-6 weeks	10.70 kg	510
Leather COL	Black, White, Beige Sand, Red Brown, Light Blue, Stone Grey	COL Leather	Black, Bronzed, Polished Aluminium	3-6 weeks	10.70 kg	556

*Skai Parotega Artificial leather:
This product contains 0,1-0,2% C,C'-azodi (formamide), CAS no. 123-77-3.

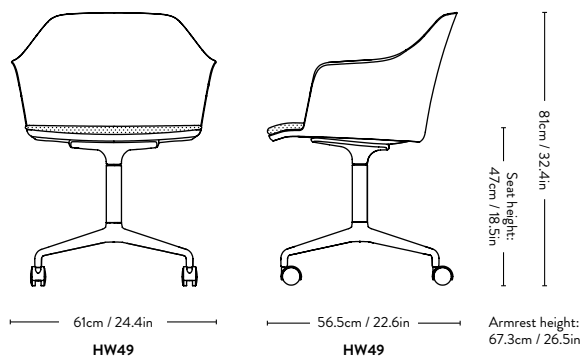
Material: Shell made from 100% recycled polypropylene with fiber glass, HR foam seat covered with fabric or leather upholstery, aluminium swivel base and castors.

Suitable for all floor types.

Fabric usage: 0.49 meter based on a 140 cm roll.

Leather usage: 1 square meter.

COM must be approved by &Tradition to ensure suitability for upholstery.



Rely^{HW50} Hee Welling 2021



Price group	Shell Upholstery	Model	Base	Lead time	Weight	PRICE EX. VAT (EUR)
Fabric gr. 1	Canvas, Linara, Remix, Re-Wool	HW50	Black, Bronzed, Polished Aluminium	3-6 weeks	8.30 kg	601
Fabric gr. 2	Clay, Divina Melange, Duke, Fiord, Hallingdal, Loop, Ritz, Ruskin, Steelcut, Steelcut Trio, Tonus, Velvet, Zero	HW50	Black, Bronzed, Polished Aluminium	3-6 weeks	8.30 kg	669
Fabric gr. 3	Balder, Sisu, Skai Parotega Artificial leather*, Vidar	HW50	Black, Bronzed, Polished Aluminium	3-6 weeks	8.30 kg	760
Fabric gr. 4	Baru, Fuse, Gentle, Karakorum, Karandash	HW50	Black, Bronzed, Polished Aluminium	3-6 weeks	8.30 kg	976
Leather gr. 1	Tailor	HW50	Black, Bronzed, Polished Aluminium	3-6 weeks	8.30 kg	783
Leather gr. 2	Noble	HW50	Black, Bronzed, Polished Aluminium	3-6 weeks	8.30 kg	919
Leather gr. 3	Elmo soft leather	HW50	Black, Bronzed, Polished Aluminium	3-6 weeks	8.30 kg	999
Fabric COM	COM Fabric	HW50	Black, Bronzed, Polished Aluminium	3-6 weeks	8.30 kg	601
Leather COL	COL Leather	HW50	Black, Bronzed, Polished Aluminium	3-6 weeks	8.30 kg	783

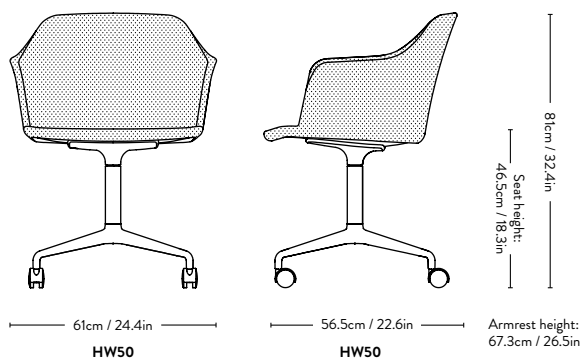
*Skai Parotega Artificial leather:
This product contains 0,1-0,2% C,C'-azodi (formamide), CAS no. 123-77-3.

Material: Shell made from 100% recycled polypropylene with fiber glass, covered with HR foam with fabric or leather upholstery, aluminium swivel base with castors.

Fabric usage: 1.5 meters based on 140cm roll.

Leather usage: 2.64 square meters.

COM must be approved by &Tradition to ensure suitability for upholstery.



Rely ^{HW51} Hee Welling 2021



Price group	Shell Upholstery	Model	Base	Lead time	Weight	PRICE EX. VAT (EUR)
Fabric gr. 1	Canvas, Linara, Remix, Re-Wool	HW51	Black, Bronzed, Polished Aluminium	3-6 weeks	9.40 kg	635
Fabric gr. 2	Clay, Divina Melange, Duke, Fiord, Hallingdal, Loop, Ritz, Ruskin, Steelcut, Steelcut Trio, Tonus, Velvet, Zero	HW51	Black, Bronzed, Polished Aluminium	3-6 weeks	9.40 kg	703
Fabric gr. 3	Balder, Sisu, Skai Parotega Artificial leather*, Vidar	HW51	Black, Bronzed, Polished Aluminium	3-6 weeks	9.40 kg	794
Fabric gr. 4	Baru, Fuse, Gentle, Karakorum, Karandash	HW51	Black, Bronzed, Polished Aluminium	3-6 weeks	9.40 kg	1.010
Leather gr. 1	Tailor	HW51	Black, Bronzed, Polished Aluminium	3-6 weeks	9.40 kg	817
Leather gr. 2	Noble	HW51	Black, Bronzed, Polished Aluminium	3-6 weeks	9.40 kg	953
Leather gr. 3	Elmo soft leather	HW51	Black, Bronzed, Polished Aluminium	3-6 weeks	9.40 kg	1.056
Fabric COM	COM Fabric	HW51	Black, Bronzed, Polished Aluminium	3-6 weeks	9.40 kg	635
Leather COL	COL Leather	HW51	Black, Bronzed, Polished Aluminium	3-6 weeks	9.40 kg	817

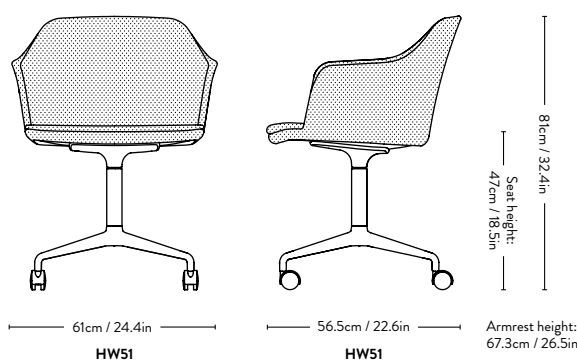
*Skai Parotega Artificial leather:
This product contains 0,1-0,2 % C,C'-azodi (formamide), CAS no. 123-77-3.

Material: Shell made from 100% recycled polypropylene with fiber glass, covered with HR foam with fabric or leather upholstery, aluminium swivel base with castors.

Fabric usage: 2.3 meters based on 140cm roll.

Leather usage: 3.4 square meters.

COM must be approved by &Tradition to ensure suitability for upholstery.



Rely ^{HW52} Hee Welling 2021



Please note that price is accumulated price of shell & seat.

Price group	Shell Upholstery	Base	Lead time	Weight	PRICE EX. VAT (EUR)
Fabric gr. 1	Canvas, Linara, Remix, Re-Wool	Black, Bronzed, Polished Aluminium	3-6 weeks	9.40 kg	522
Fabric gr. 2	Clay, Divina Melange, Duke, Fiord, Hallingdal, Loop, Ritz, Ruskin, Steelcut, Steelcut Trio, Tonus, Velvet, Zero	Black, Bronzed, Polished Aluminium	3-6 weeks	9.40 kg	556
Fabric gr. 3	Balder, Sisu, Skai Parotega Artificial leather*, Vidar	Black, Bronzed, Polished Aluminium	3-6 weeks	9.40 kg	601
Fabric gr. 4	Baru, Fuse, Gentle, Karakorum, Karandash	Black, Bronzed, Polished Aluminium	3-6 weeks	9.40 kg	772
Leather gr. 1	Tailor	Black, Bronzed, Polished Aluminium	3-6 weeks	9.40 kg	635
Leather gr. 2	Noble	Black, Bronzed, Polished Aluminium	3-6 weeks	9.40 kg	760
Leather gr. 3	Elmo soft leather	Black, Bronzed, Polished Aluminium	3-6 weeks	9.40 kg	817
Fabric COM	COM Fabric	Black, Bronzed, Polished Aluminium	3-6 weeks	9.40 kg	522
Leather COL	COL Leather	Black, Bronzed, Polished Aluminium	3-6 weeks	9.40 kg	635

Price group	Seat Upholstery	Lead time	PRICE EX. VAT (EUR)
Fabric gr. 1	Canvas, Linara, Remix, Re-Wool	3-6 weeks	114
Fabric gr. 2	Clay, Divina Melange, Duke, Fiord, Hallingdal, Loop, Ritz, Ruskin, Steelcut, Steelcut Trio, Tonus, Velvet, Zero	3-6 weeks	148
Fabric gr. 3	Balder, Sisu, Skai Parotega Artificial leather*, Vidar	3-6 weeks	193
Fabric gr. 4	Baru, Fuse, Gentle, Karakorum, Karandash	3-6 weeks	238
Leather gr. 1	Tailor	3-6 weeks	182
Leather gr. 2	Noble	3-6 weeks	193
Leather gr. 3	Elmo soft leather	3-6 weeks	238
Fabric COM	COM Fabric	3-6 weeks	114
Leather COL	COL Leather	3-6 weeks	182

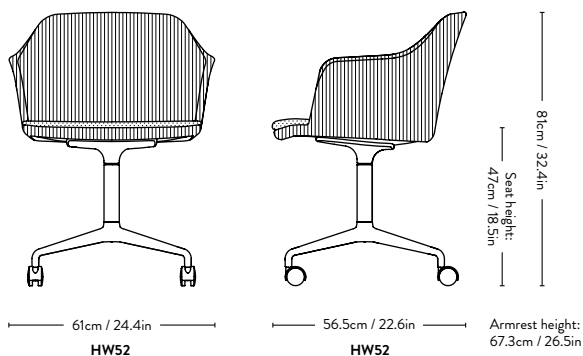
*Skai Parotega Artificial leather:
This product contains 0,1-0,2 % C,C'-azodi (formamide), CAS no. 123-77-3.

Material: Shell made from 100% recycled polypropylene with fiber glass, covered with HR foam with fabric or leather upholstery, aluminium swivel base with castors.

Fabric usage: 1.5 meters (shell), 0.77 meters (cushion) based on 140cm roll.
Leather usage: 2.64 square meters (shell), 0.77 square meters (cushion).

COM must be approved by &Tradition to ensure suitability for upholstery.

Minimum order quantity of same variant: 4 pcs.

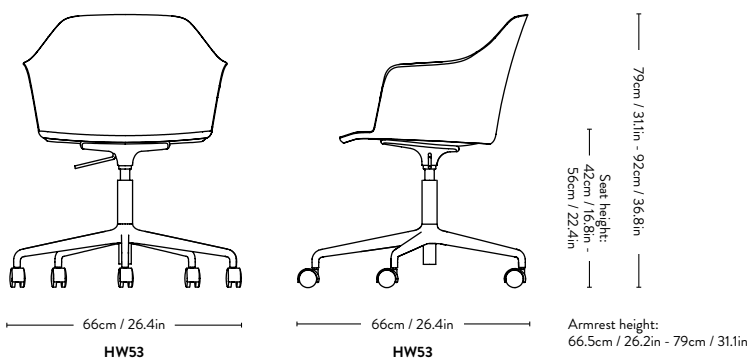


Rely ^{HW53} Hee Welling 2021



Item code	Shell Colour	Model	Base	Lead time	Weight	PRICE EX. VAT (EUR)
HW	Black	HW53	Black, Polished Aluminium	2-3 weeks	9.40 kg	442
HW	White	HW53	Black, Polished Aluminium	2-3 weeks	9.40 kg	442
HW	Beige Sand	HW53	Black, Polished Aluminium	2-3 weeks	9.40 kg	442
HW	Red Brown	HW53	Black, Polished Aluminium	2-3 weeks	9.40 kg	442
HW	Light Blue	HW53	Black, Polished Aluminium	2-3 weeks	9.40 kg	442
HW	Stone Grey	HW53	Black, Polished Aluminium	2-3 weeks	9.40 kg	442

Material: Shell made from 100% recycled polypropylene with fiber glass, cast aluminium 5-star swivel base w. gaslift & castors. Suitable for all floortypes.



Rely ^{HW54} Hee Welling 2021



Item code	Shell Colour	Seat Cushion Upholstery	Base	Lead time	Weight	PRICE EX. VAT (EUR)
Fabric gr. 1	Black, White, Beige Sand, Red Brown, Light Blue, Stone Grey	Canvas, Linara, Remix, Re-Wool	Black, Polished Aluminium	3-6 weeks	11.80 kg	556
Fabric gr. 2	Black, White, Beige Sand, Red Brown, Light Blue, Stone Grey	Clay, Divina Melange, Duke, Fiord, Hallingdal, Loop, Ritz, Ruskin, Steelcut, Steelcut Trio, Tonus, Velvet, Zero	Black, Polished Aluminium	3-6 weeks	11.80 kg	590
Fabric gr. 3	Black, White, Beige Sand, Red Brown, Light Blue, Stone Grey	Balder, Sisu, Skai Parotega Artificial leather*, Vidar	Black, Polished Aluminium	3-6 weeks	11.80 kg	635
Fabric gr. 4	Black, White, Beige Sand, Red Brown, Light Blue, Stone Grey	Baru, Fuse, Gentle, Karakorum, Karandash	Black, Polished Aluminium	3-6 weeks	11.80 kg	681
Leather gr. 1	Black, White, Beige Sand, Red Brown, Light Blue, Stone Grey	Tailor	Black, Polished Aluminium	3-6 weeks	11.80 kg	601
Leather gr. 2	Black, White, Beige Sand, Red Brown, Light Blue, Stone Grey	Noble	Black, Polished Aluminium	3-6 weeks	11.80 kg	635
Leather gr. 3	Black, White, Beige Sand, Red Brown, Light Blue, Stone Grey	Elmo soft leather	Black, Polished Aluminium	3-6 weeks	11.80 kg	669
Fabric COM	Black, White, Beige Sand, Red Brown, Light Blue, Stone Grey	COM Fabric	Black, Polished Aluminium	3-6 weeks	11.80 kg	556
Leather COL	Black, White, Beige Sand, Red Brown, Light Blue, Stone Grey	COL Leather	Black, Polished Aluminium	3-6 weeks	11.80 kg	601

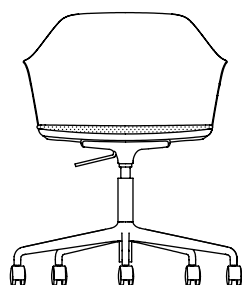
*Skai Parotega Artificial leather:
This product contains 0,1-0,2% C,C'-azodi (formamide), CAS no. 123-77-3.

Material: Shell made from 100% recycled polypropylene with fiber glass, seat covered in HR foam with fabric or leather upholstery, cast aluminium 5-star swivel base w. gaslift & castors. Suitable for all floor types.

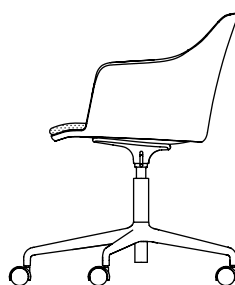
Fabric usage: 0.49 meter based on a 140 cm roll.

Leather usage: 1 square meter.

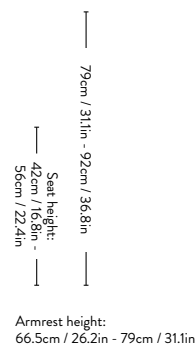
COM must be approved by &Tradition to ensure suitability for upholstery.



66cm / 26.4in
HW54



66cm / 26.4in
HW54



Rely ^{HW55} Hee Welling 2021



Price group	Shell Upholstery	Model	Base	Lead time	Weight	PRICE EX. VAT (EUR)
Fabric gr. 1	Canvas, Linara, Remix, Re-Wool	HW55	Black, Polished Aluminium	3-6 weeks	9.40 kg	647
Fabric gr. 2	Clay, Divina Melange, Duke, Fiord, Hallingdal, Loop, Ritz, Ruskin, Steelcut, Steelcut Trio, Tonus, Velvet, Zero	HW55	Black, Polished Aluminium	3-6 weeks	9.40 kg	715
Fabric gr. 3	Balder, Sisu, Skai Parotega Artificial leather*, Vidar	HW55	Black, Polished Aluminium	3-6 weeks	9.40 kg	806
Fabric gr. 4	Baru, Fuse, Gentle, Karakorum, Karandash	HW55	Black, Polished Aluminium	3-6 weeks	9.40 kg	1.021
Leather gr. 1	Tailor	HW55	Black, Polished Aluminium	3-6 weeks	9.40 kg	828
Leather gr. 2	Noble	HW55	Black, Polished Aluminium	3-6 weeks	9.40 kg	965
Leather gr. 3	Elmo soft leather	HW55	Black, Polished Aluminium	3-6 weeks	9.40 kg	1.044
Fabric COM	COM Fabric	HW55	Black, Polished Aluminium	3-6 weeks	9.40 kg	647
Leather COL	COL Leather	HW55	Black, Polished Aluminium	3-6 weeks	9.40 kg	828

*Skai Parotega Artificial leather:
This product contains 0,1-0,2% C,C'-azodi (formamide), CAS no. 123-77-3.

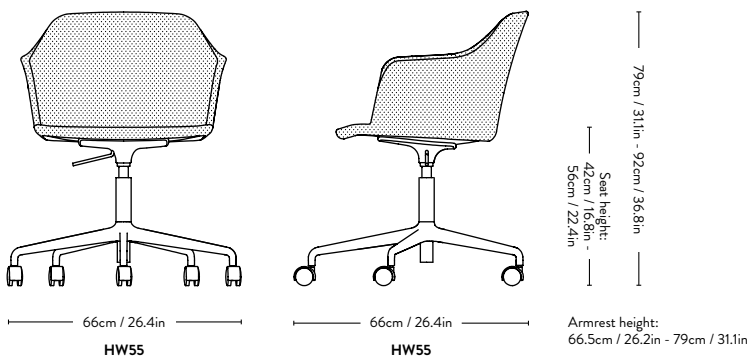
Material: Shell made from 100% recycled polypropylene with fiber glass, covered with HR foam with fabric or leather upholstery, cast aluminium 5-star swivel base w. gaslift & castors.

Suitable for all floor types.

Fabric usage: 1.5 meters based on 140cm roll.

Leather usage: 2.64 square meters.

COM must be approved by &Tradition to ensure suitability for upholstery.



Rely ^{HW56} Hee Welling 2021



Price group	Shell Upholstery	Model	Base	Lead time	Weight	PRICE EX. VAT (EUR)
Fabric gr. 1	Canvas, Linara, Remix, Re-Wool	HW56	Black, Polished Aluminium	3-6 weeks	10.50 kg	681
Fabric gr. 2	Clay, Divina Melange, Duke, Fiord, Hallingdal, Loop, Ritz, Ruskin, Steelcut, Steelcut Trio, Tonus, Velvet, Zero	HW56	Black, Polished Aluminium	3-6 weeks	10.50 kg	749
Fabric gr. 3	Balder, Sisu, Skai Parotega Artificial leather*, Vidar	HW56	Black, Polished Aluminium	3-6 weeks	10.50 kg	840
Fabric gr. 4	Baru, Fuse, Gentle, Karakorum, Karandash	HW56	Black, Polished Aluminium	3-6 weeks	10.50 kg	1.056
Leather gr. 1	Tailor	HW56	Black, Polished Aluminium	3-6 weeks	10.50 kg	862
Leather gr. 2	Noble	HW56	Black, Polished Aluminium	3-6 weeks	10.50 kg	999
Leather gr. 3	Elmo soft leather	HW56	Black, Polished Aluminium	3-6 weeks	10.50 kg	1.101
Fabric COM	COM Fabric	HW56	Black, Polished Aluminium	3-6 weeks	10.50 kg	681
Leather COL	COL Leather	HW56	Black, Polished Aluminium	3-6 weeks	10.50 kg	862

*Skai Parotega Artificial leather:
This product contains 0,1-0,2 % C,C'-azodi (formamide), CAS no. 123-77-3.

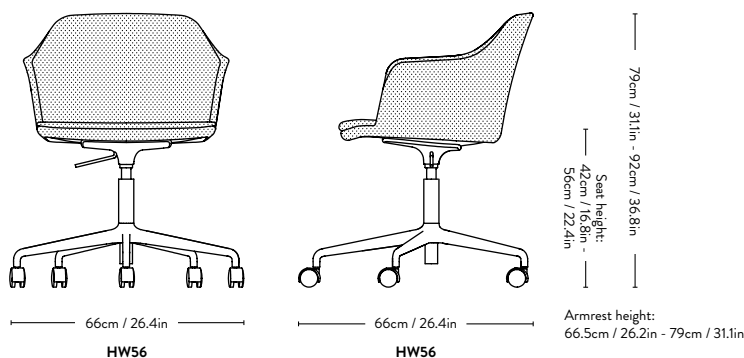
Material: Shell made from 100% recycled polypropylene with fiber glass, covered with HR foam with fabric or leather upholstery, cast aluminium 5-star swivel base w. gaslift & castors.

Suitable for all floor types.

Fabric usage: 2.3 meters based on 140cm roll.

Leather usage: 3.4 square meters.

COM must be approved by &Tradition to ensure suitability for upholstery.



Rely ^{HW57} Hee Welling 2021



Please note that price is accumulated price of shell & seat.

Price group	Shell Upholstery	Base	Lead time	Weight	PRICE EX. VAT (EUR)
Fabric gr. 1	Canvas, Linara, Remix, Re-Wool	Black, Bronzed, Polished Aluminium	3-6 weeks	10.50 kg	567
Fabric gr. 2	Clay, Divina Melange, Duke, Fiord, Hallingdal, Loop, Ritz, Ruskin, Steelcut, Steelcut Trio, Tonus, Velvet, Zero	Black, Bronzed, Polished Aluminium	3-6 weeks	10.50 kg	601
Fabric gr. 3	Balder, Sisu, Skai Parotega Artificial leather*, Vidar	Black, Bronzed, Polished Aluminium	3-6 weeks	10.50 kg	647
Fabric gr. 4	Baru, Fuse, Gentle, Karakorum, Karandash	Black, Bronzed, Polished Aluminium	3-6 weeks	10.50 kg	817
Leather gr. 1	Tailor	Black, Bronzed, Polished Aluminium	3-6 weeks	10.50 kg	681
Leather gr. 2	Noble	Black, Bronzed, Polished Aluminium	3-6 weeks	10.50 kg	806
Leather gr. 3	Elmo soft leather	Black, Bronzed, Polished Aluminium	3-6 weeks	10.50 kg	862
Fabric COM	COM Fabric	Black, Bronzed, Polished Aluminium	3-6 weeks	10.50 kg	567
Leather COL	COL Leather	Black, Bronzed, Polished Aluminium	3-6 weeks	10.50 kg	681

Price group	Seat Upholstery	Lead time	PRICE EX. VAT (EUR)
Fabric gr. 1	Canvas, Linara, Remix, Re-Wool	3-6 weeks	114
Fabric gr. 2	Clay, Divina Melange, Duke, Fiord, Hallingdal, Loop, Ritz, Ruskin, Steelcut, Steelcut Trio, Tonus, Velvet, Zero	3-6 weeks	148
Fabric gr. 3	Balder, Sisu, Skai Parotega Artificial leather*, Vidar	3-6 weeks	193
Fabric gr. 4	Baru, Fuse, Gentle, Karakorum, Karandash	3-6 weeks	238
Leather gr. 1	Tailor	3-6 weeks	182
Leather gr. 2	Noble	3-6 weeks	193
Leather gr. 3	Elmo soft leather	3-6 weeks	238
Fabric COM	COM Fabric	3-6 weeks	114
Leather COL	COL Leather	3-6 weeks	182

*Skai Parotega Artificial leather:
This product contains 0,1-0,2% C,C'-azodi (formamide), CAS no. 123-77-3.

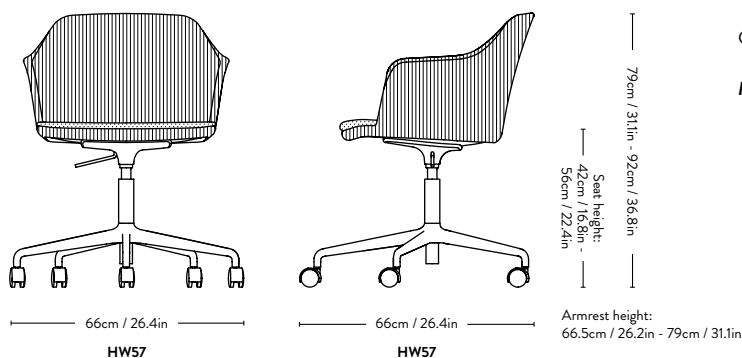
Material: Shell made from 100% recycled polypropylene with fiber glass, covered with HR foam with fabric or leather upholstery, cast aluminium 5-star swivel base w. gaslift & castors.

Suitable for all floor types.

Fabric usage: 1.5 meters (shell), 0.77 meters (cushion) based on 140cm roll.
Leather usage: 2.64 square meters (shell), 0.77 square meters (cushion).

COM must be approved by &Tradition to ensure suitability for upholstery.

Minimum order quantity of same variant: 4 pcs.



Rely ^{HW70} Hee Welling 2022

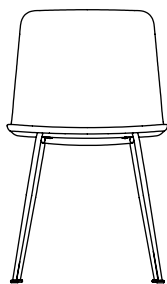
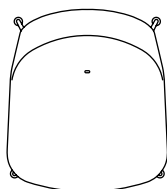


Item code	Shell Colour	Model	Base	Colli qty.	Lead time	Weight	PRICE EX. VAT (EUR)
HW	Black	HW70	Black	1 pc	3-6 weeks	6.90 kg	204
HW	White	HW70	Black	1 pc	3-6 weeks	6.90 kg	204

Material: Shell made from 100% recycled polypropylene with fiber glass and a steel tube base.

Plastic gliders installed as standard.

Small hole in the shell for water drainage.
Black outdoor powder coating UV-resistant.



47cm / 18.8in
HW70



55cm / 21.6in
HW70

82cm / 32.8in
Seat height:
46cm / 18.4in

Seating depth:
45cm / 17.7in

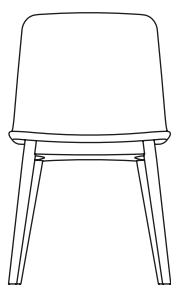
NEW

Rely ^{HW71} Hee Welling 2021

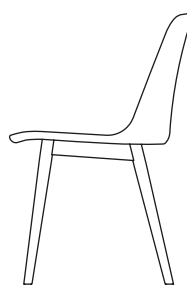


Item code	Shell Colour	Model	Base	Colli qty.	Lead time	Weight	PRICE EX. VAT (EUR)
HW	Black	HW71	Oak Walnut	1 pc	2-3 weeks	5.68 kg	272 306
HW	White	HW71	Oak Walnut	1 pc	2-3 weeks	5.68 kg	272 306
HW	Beige Sand	HW71	Oak Walnut	1 pc	2-3 weeks	5.68 kg	272 306
HW	Red Brown	HW71	Oak Walnut	1 pc	2-3 weeks	5.68 kg	272 306
HW	Light Blue	HW71	Oak Walnut	1 pc	2-3 weeks	5.68 kg	272 306
HW	Stone Grey	HW71	Oak Walnut	1 pc	2-3 weeks	5.68 kg	272 306

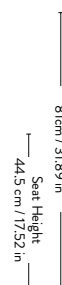
Material: 100% recycled polypropylene, oak or walnut base.



— 48.5 cm / 19.09 in —



— 53.5 cm / 21.06 in —



81cm / 31.89 in
Seat Height
44.5 cm / 17.52 in

Seating depth:
45cm / 17.7in

NEW

Rely^{HW72} Hee Welling 2021



Price group	Shell Colour	Seat Cushion Upholstery	Base	Lead time	Weight	PRICE EX. VAT (EUR)
Fabric gr. 1	Black, White, Beige Sand, Red Brown, Light Blue, Stone Grey	Canvas, Linara, Remix, Re-Wool	Oak	6-8 weeks	6.48 kg	386
			Walnut			420
Fabric gr. 2	Black, White, Beige Sand, Red Brown, Light Blue, Stone Grey	Clay, Divina Melange, Duke, Fiord, Hallingdal, Loop, Ritz, Ruskin, Steelcut, Steelcut Trio, Tonus, Velvet, Zero	Oak	6-8 weeks	6.48 kg	420
			Walnut			454
Fabric gr. 3	Black, White, Beige Sand, Red Brown, Light Blue, Stone Grey	Balder, Sisu, Skai Parotega Artificial leather*, Vidar	Oak	6-8 weeks	6.48 kg	465
			Walnut			499
Fabric gr. 4	Black, White, Beige Sand, Red Brown, Light Blue, Stone Grey	Baru, Fuse, Gentle, Karakorum, Karandash	Oak	6-8 weeks	6.48 kg	510
			Walnut			545
Leather gr. 1	Black, White, Beige Sand, Red Brown, Light Blue, Stone Grey	Tailor	Oak	6-8 weeks	6.48 kg	431
			Walnut			465
Leather gr. 2	Black, White, Beige Sand, Red Brown, Light Blue, Stone Grey	Noble	Oak	6-8 weeks	6.48 kg	465
			Walnut			499
Leather gr. 3	Black, White, Beige Sand, Red Brown, Light Blue, Stone Grey	Elmo soft leather	Oak	6-8 weeks	6.48 kg	499
			Walnut			533
Fabric COM	Black, White, Beige Sand, Red Brown, Light Blue, Stone Grey	COM Fabric	Oak	6-8 weeks	6.48 kg	386
			Walnut			420
Leather COL	Black, White, Beige Sand, Red Brown, Light Blue, Stone Grey	COL Leather	Oak	6-8 weeks	6.48 kg	431
			Walnut			465

*Skai Parotega Artificial leather:
This product contains 0,1-0,2% C,C'-azodi (formamide), CAS no. 123-77-3.

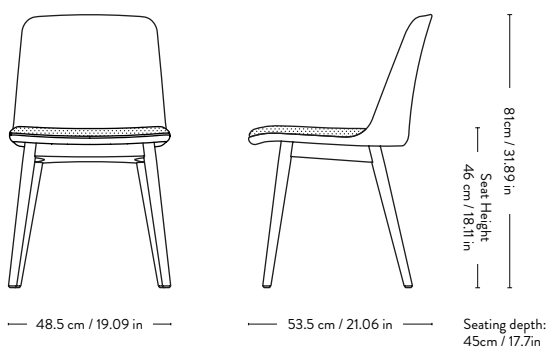
Material: Shell made from 100% recycled polypropylene with 15% fiber glass. Upholstered seats are made with a veneer plate with 30mm foam. Oak or walnut base

Suitable for all floor types.

Fabric usage: 0.49 meter based on a 140 cm roll.

Leather usage: 1 square meter.

COM must be approved by &Tradition to ensure suitability for upholstery.



NEW

Rely^{HW73} Hee Welling 2021



Price group	Upholstery	Model	Base	Lead time	Weight	PRICE EX. VAT (EUR)
Fabric gr. 1	Canvas, Linara, Remix, Re-Wool	HW73	Oak Walnut	6-8 weeks	6.18 kg	476 510
Fabric gr. 2	Clay, Divina Melange, Duke, Fiord, Hallingdal, Loop, Ritz, Ruskin, Steelcut, Steelcut Trio, Tonus, Velvet, Zero	HW73	Oak Walnut	6-8 weeks	6.18 kg	545 579
Fabric gr. 3	Balder, Sisu, Skai Parotega Artificial leather*, Vidar	HW73	Oak Walnut	6-8 weeks	6.18 kg	624 658
Fabric gr. 4	Baru, Fuse, Gentle, Karakorum, Karandash	HW73	Oak Walnut	6-8 weeks	6.18 kg	760 794
Leather gr. 1	Tailor	HW73	Oak Walnut	6-8 weeks	6.18 kg	647 681
Leather gr. 2	Noble	HW73	Oak Walnut	6-8 weeks	6.18 kg	681 715
Leather gr. 3	Elmo soft leather	HW73	Oak Walnut	6-8 weeks	6.18 kg	738 772
Fabric COM	COM Fabric	HW73	Oak Walnut	6-8 weeks	6.18 kg	476 510
Leather COL	COL Leather	HW73	Oak Walnut	6-8 weeks	6.18 kg	647 681

*Skai Parotega Artificial leather:
This product contains 0,1-0,2% C,C'-azodi (formamide), CAS no. 123-77-3.

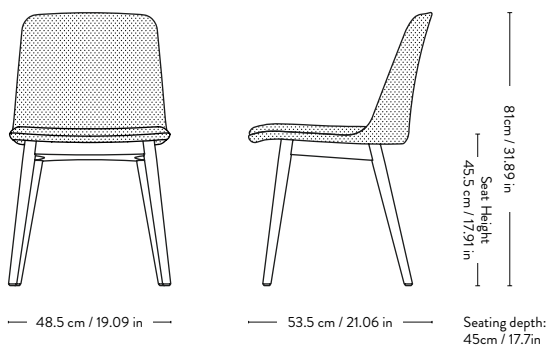
Material: Shell made from 100% recycled polypropylene with 15% fiber glass. Upholstered seats are made with a veneer plate with 30mm foam. Oak or walnut base.

Suitable for all floor types.

Fabric usage: 1.4 meters based on 140cm roll.

Leather usage: 2.2 square meters.

COM must be approved by &Tradition to ensure suitability for upholstery.



NEW

Rely ^{HW74} Hee Welling 2021



Price group	Upholstery	Model	Base	Lead time	Weight	PRICE EX. VAT (EUR)
Fabric gr. 1	Canvas, Linara, Remix, Re-Wool	HW74	Oak Walnut	6-8 weeks	7.28 kg	499 533
Fabric gr. 2	Clay, Divina Melange, Duke, Fiord, Hallingdal, Loop, Ritz, Ruskin, Steelcut, Steelcut Trio, Tonus, Velvet, Zero	HW74	Oak Walnut	6-8 weeks	7.28 kg	567 601
Fabric gr. 3	Balder, Sisu, Skai Parotega Artificial leather*, Vidar	HW74	Oak Walnut	6-8 weeks	7.28 kg	647 681
Fabric gr. 4	Baru, Fuse, Gentle, Karakorum, Karandash	HW74	Oak Walnut	6-8 weeks	7.28 kg	783 817
Leather gr. 1	Tailor	HW74	Oak Walnut	6-8 weeks	7.28 kg	669 703
Leather gr. 2	Noble	HW74	Oak Walnut	6-8 weeks	7.28 kg	703 738
Leather gr. 3	Elmo soft leather	HW74	Oak Walnut	6-8 weeks	7.28 kg	806 840
Fabric COM	COM Fabric	HW74	Oak Walnut	6-8 weeks	7.28 kg	499 533
Leather COL	COL Leather	HW74	Oak Walnut	6-8 weeks	7.28 kg	669 703

*Skai Parotega Artificial leather:
This product contains 0,1-0,2% C,C'-azodi (formamide), CAS no. 123-77-3.

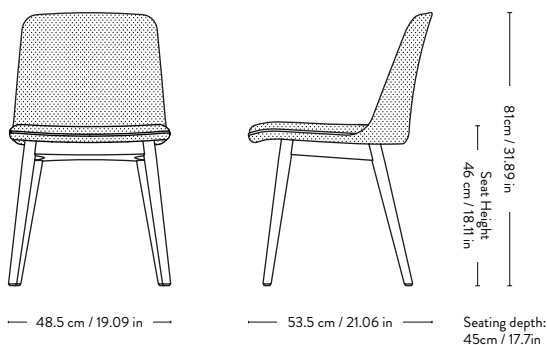
Material: Shell made from 100% recycled polypropylene with 15% fiber glass. Upholstered seats are made with a veneer plate with 30mm foam. Oak or walnut base.

Suitable for all floor types.

Fabric usage: 1.4 meters based on 140cm roll.

Leather usage: 2.2 square meters.

COM must be approved by &Tradition to ensure suitability for upholstery.



NEW

Rely^{HW75} Hee Welling 2021



Please note that price is accumulated price of shell & seat.

Price group	Shell Upholstery	Base	Lead time	Weight	PRICE EX. VAT (EUR)
Fabric gr. 1	Canvas, Linara, Remix, Re-Wool	Oak	3-6 weeks	7.28 kg	386
		Walnut			420
Fabric gr. 2	Clay, Divina Melange, Duke, Fiord, Hallingdal, Loop, Ritz, Ruskin, Steelcut, Steelcut Trio, Tonus, Velvet, Zero	Oak	3-6 weeks	7.28 kg	420
		Walnut			454
Fabric gr. 3	Balder, Sisu, Skai Parotega Artificial leather*, Vidar	Oak	3-6 weeks	7.28 kg	454
		Walnut			488
Fabric gr. 4	Baru, Fuse, Gentle, Karakorum, Karandash	Oak	3-6 weeks	7.28 kg	545
		Walnut			579
Leather gr. 1	Tailor	Oak	3-6 weeks	7.28 kg	488
		Walnut			522
Leather gr. 2	Noble	Oak	3-6 weeks	7.28 kg	510
		Walnut			545
Leather gr. 3	Elmo soft leather	Oak	3-6 weeks	7.28 kg	567
		Walnut			601
Fabric COM	COM Fabric	Oak	3-6 weeks	7.28 kg	386
		Walnut			420
Leather COL	COL Leather	Oak	3-6 weeks	7.28 kg	488
		Walnut			522

Price group	Seat Upholstery	Lead time	PRICE EX. VAT (EUR)
Fabric gr. 1	Canvas, Linara, Remix, Re-Wool	3-6 weeks	114
Fabric gr. 2	Clay, Divina Melange, Duke, Fiord, Hallingdal, Loop, Ritz, Ruskin, Steelcut, Steelcut Trio, Tonus, Velvet, Zero	3-6 weeks	148
Fabric gr. 3	Balder, Sisu, Skai Parotega Artificial leather*, Vidar	3-6 weeks	193
Fabric gr. 4	Baru, Fuse, Gentle, Karakorum, Karandash	3-6 weeks	238
Leather gr. 1	Tailor	3-6 weeks	182
Leather gr. 2	Noble	3-6 weeks	193
Leather gr. 3	Elmo soft leather	3-6 weeks	238
Fabric COM	COM Fabric	3-6 weeks	114
Leather COL	COL Leather	3-6 weeks	182

*Skai Parotega Artificial leather:
This product contains 0,1-0,2% C,C'-azodi (formamide), CAS no. 123-77-3.

Material: Shell made from 100% recycled polypropylene with 15% fiber glass. Upholstered seats are made with a veneer plate with 30mm foam. Oak or Walnut base.

Suitable for all floor types.

Fabric usage: 1.9 meters (shell), 0.77 meters (cushion) based on 140cm roll.
Leather usage: 2.64 square meters (shell), 0.77 square meters (cushion).

COM must be approved by &Tradition to ensure suitability for upholstery.

Minimum order quantity of same variant: 4 pcs.



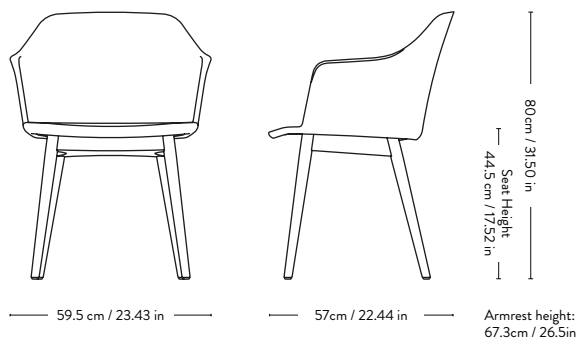
NEW

Rely ^{HW76} Hee Welling 2021



Item code	Shell Colour	Model	Base	Colli qty.	Lead time	Weight	PRICE EX. VAT (EUR)
HW	Black	HW76	Oak Walnut	1 pc	2-3 weeks	7.04 kg	306 340
HW	White	HW76	Oak Walnut	1 pc	2-3 weeks	7.04 kg	306 340
HW	Beige Sand	HW76	Oak Walnut	1 pc	2-3 weeks	7.04 kg	306 340
HW	Red Brown	HW76	Oak Walnut	1 pc	2-3 weeks	7.04 kg	306 340
HW	Light Blue	HW76	Oak Walnut	1 pc	2-3 weeks	7.04 kg	306 340
HW	Stone Grey	HW76	Oak Walnut	1 pc	2-3 weeks	7.04 kg	306 340

Material: Shell: Copo PP with 15% glassfibre. Oak or Walnut base.



NEW

Rely ^{HW77} Hee Welling 2021



Price group	Shell Colour	Seat Cushion Upholstery	Base	Lead time	Weight	PRICE EX. VAT (EUR)
Fabric gr. 1	Black, White, Beige Sand, Red Brown, Light Blue, Stone Grey	Canvas, Linara, Remix, Re-Wool	Oak		8.24 kg	420
			Walnut			454
Fabric gr. 2	Black, White, Beige Sand, Red Brown, Light Blue, Stone Grey	Clay, Divina Melange, Duke, Fiord, Hallingdal, Loop, Ritz, Ruskin, Steelcut, Steelcut Trio, Tonus, Velvet, Zero	Oak		8.24 kg	454
			Walnut			488
Fabric gr. 3	Black, White, Beige Sand, Red Brown, Light Blue, Stone Grey	Balder, Sisu, Skai Parotega Artificial leather*, Vidar	Oak		8.24 kg	499
			Walnut			533
Fabric gr. 4	Black, White, Beige Sand, Red Brown, Light Blue, Stone Grey	Baru, Fuse, Gentle, Karakorum, Karandash	Oak		8.24 kg	545
			Walnut			579
Leather gr. 1	Black, White, Beige Sand, Red Brown, Light Blue, Stone Grey	Tailor	Oak		8.24 kg	465
			Walnut			499
Leather gr. 2	Black, White, Beige Sand, Red Brown, Light Blue, Stone Grey	Noble	Oak		8.24 kg	499
			Walnut			533
Leather gr. 3	Black, White, Beige Sand, Red Brown, Light Blue, Stone Grey	Elmo soft leather	Oak		8.24 kg	533
			Walnut			567
Fabric COM	Black, White, Beige Sand, Red Brown, Light Blue, Stone Grey	COM Fabric	Oak		8.24 kg	420
			Walnut			454
Leather COL	Black, White, Beige Sand, Red Brown, Light Blue, Stone Grey	COL Leather	Oak		8.24 kg	465
			Walnut			499

*Skai Parotega Artificial leather:
This product contains 0,1-0,2% C,C'-azodi (formamide), CAS no. 123-77-3.

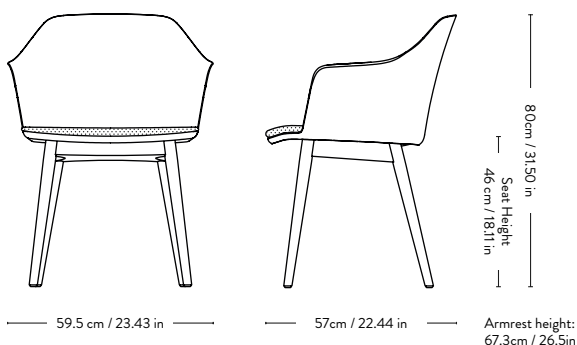
Material: Shell made from 100% recycled polypropylene with fiber glass, seat covered in HR foam with fabric or leather upholstery, Oak or Walnut base .

Suitable for all floor types.

Fabric usage: 0.98 meter based on a 140 cm roll.

Leather usage: 1 square meter.

COM must be approved by &Tradition to ensure suitability for upholstery.



NEW

Rely HW78 Hee Welling 2021



Price group	Upholstery	Model	Base	Lead time	Weight	PRICE EX. VAT (EUR)
Fabric gr. 1	Canvas, Linara, Remix, Re-Wool	HW78	Oak	6-8 weeks	7.74 kg	533
			Walnut			567
Fabric gr. 2	Clay, Divina Melange, Duke, Fiord, Hallingdal, Loop, Ritz, Ruskin, Steelcut, Steelcut Trio, Tonus, Velvet, Zero	HW78	Oak	6-8 weeks	7.74 kg	601
			Walnut			635
Fabric gr. 3	Balder, Sisu, Skai Parotega Artificial leather*, Vidar	HW78	Oak Walnut	6-8 weeks	7.74 kg	692 726
Fabric gr. 4	Baru, Fuse, Gentle, Karakorum, Karandash	HW78	Oak Walnut	6-8 weeks	7.74 kg	908 942
Leather gr. 1	Tailor	HW78	Oak	6-8 weeks	7.74 kg	715
			Walnut			749
Leather gr. 2	Noble	HW78	Oak	6-8 weeks	7.74 kg	851
			Walnut			885
Leather gr. 3	Elmo soft leather	HW78	Oak Walnut	6-8 weeks	7.74 kg	931 965
Fabric COM	COM Fabric	HW78	Oak	6-8 weeks	7.74 kg	533
			Walnut			567
Leather COL	COL Leather	HW78	Oak	6-8 weeks	7.74 kg	715
			Walnut			749

*Skai Parotega Artificial leather:
This product contains 0,1-0,2% C,C'-azodi (formamide), CAS no. 123-77-3.

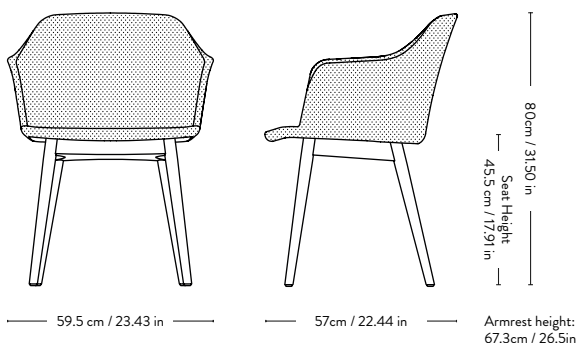
Material: Shell made from 100% recycled polypropylene with fiber glass, covered with HR foam with fabric or leather upholstery. Oak or Walnut base.

Suitable for all floor types.

Fabric usage: 1.68 meters based on 140cm roll.

Leather usage: 2.64 square meters.

COM must be approved by &Tradition to ensure suitability for upholstery.



NEW

Rely ^{HW79} Hee Welling 2021



Price group	Upholstery	Model	Base	Lead time	Weight	PRICE EX. VAT (EUR)
Fabric gr. 1	Canvas, Linara, Remix, Re-Wool	HW79	Oak Walnut	6-8 weeks	7.98 kg	567 601
Fabric gr. 2	Clay, Divina Melange, Duke, Fiord, Hallingdal, Loop, Ritz, Ruskin, Steelcut, Steelcut Trio, Tonus, Velvet, Zero	HW79	Oak Walnut	6-8 weeks	7.98 kg	635 669
Fabric gr. 3	Balder, Sisu, Skai Parotega Artificial leather*, Vidar	HW79	Oak Walnut	6-8 weeks	7.98 kg	726 760
Fabric gr. 4	Baru, Fuse, Gentle, Karakorom, Karandash	HW79	Oak Walnut	6-8 weeks	7.98 kg	942 976
Leather gr. 1	Tailor	HW79	Oak Walnut	6-8 weeks	7.98 kg	749 783
Leather gr. 2	Noble	HW79	Oak Walnut	6-8 weeks	7.98 kg	885 919
Leather gr. 3	Elmo soft leather	HW79	Oak Walnut	6-8 weeks	7.98 kg	987 1.021
Fabric COM	COM Fabric	HW79	Oak Walnut	6-8 weeks	7.98 kg	567 601
Leather COL	COL Leather	HW79	Oak Walnut	6-8 weeks	7.98 kg	749 783

*Skai Parotega Artificial leather:
This product contains 0,1-0,2% C,C'-azodi (formamide), CAS no. 123-77-3.

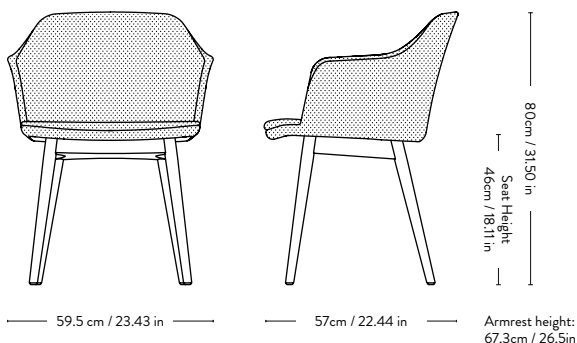
Material: Shell made from 100% recycled polypropylene with fiber glass, covered with HR foam with fabric or leather upholstery, Oak or Walnut base

Suitable for all floor types.

Fabric usage: 2.66 meters based on 140cm roll.

Leather usage: 2.64 square meters.

COM must be approved by &Tradition to ensure suitability for upholstery.



NEW

Rely^{HW80} Hee Welling 2021



Please note that price is accumulated price of shell & seat.

Price group	Shell Upholstery	Base	Lead time	Weight	PRICE EX. VAT (EUR)
Fabric gr. 1	Canvas, Linara, Remix, Re-Wool	Oak	3-6 weeks	7.98 kg	454
		Walnut			488
Fabric gr. 2	Clay, Divina Melange, Duke, Fiord, Hallingdal, Loop, Ritz, Ruskin, Steelcut, Steelcut Trio, Tonus, Velvet, Zero	Oak	3-6 weeks	7.98 kg	488
		Walnut			522
Fabric gr. 3	Balder, Sisu, Skai Parotega Artificial leather*, Vidar	Oak	3-6 weeks	7.98 kg	533
		Walnut			567
Fabric gr. 4	Baru, Fuse, Gentle, Karakorum, Karandash	Oak	3-6 weeks	7.98 kg	703
		Walnut			738
Leather gr. 1	Tailor	Oak	3-6 weeks	7.98 kg	567
		Walnut			601
Leather gr. 2	Noble	Oak	3-6 weeks	7.98 kg	692
		Walnut			726
Leather gr. 3	Elmo soft leather	Oak	3-6 weeks	7.98 kg	749
		Walnut			783
Fabric COM	COM Fabric	Oak	3-6 weeks	7.98 kg	454
		Walnut			488
Leather COL	COL Leather	Oak	3-6 weeks	7.98 kg	567
		Walnut			601

Price group	Seat Upholstery	Lead time	PRICE EX. VAT (EUR)
Fabric gr. 1	Canvas, Linara, Remix, Re-Wool	3-6 weeks	114
Fabric gr. 2	Clay, Divina Melange, Duke, Fiord, Hallingdal, Loop, Ritz, Ruskin, Steelcut, Steelcut Trio, Tonus, Velvet, Zero	3-6 weeks	148
Fabric gr. 3	Balder, Sisu, Skai Parotega Artificial leather*, Vidar	3-6 weeks	193
Fabric gr. 4	Baru, Fuse, Gentle, Karakorum, Karandash	3-6 weeks	238
Leather gr. 1	Tailor	3-6 weeks	182
Leather gr. 2	Noble	3-6 weeks	193
Leather gr. 3	Elmo soft leather	3-6 weeks	238
Fabric COM	COM Fabric	3-6 weeks	114
Leather COL	COL Leather	3-6 weeks	182

*Skai Parotega Artificial leather:

This product contains 0,1-0,2 % C,C'-azodi (formamide), CAS no. 123-77-3.

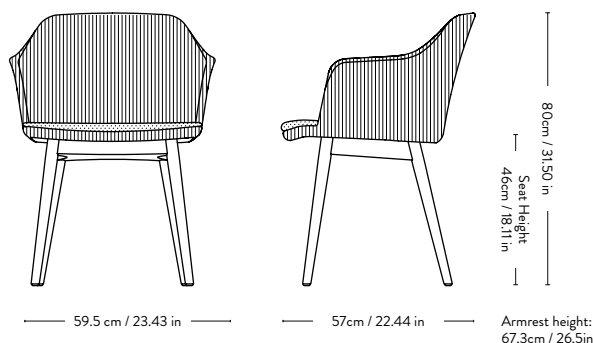
Material: Shell made from 100% recycled polypropylene with fiber glass, covered with HR foam with fabric or leather upholstery, Oak or Walnut base.

Suitable for all floor types.

Fabric usage: 2.66 meters (shell), 0.77 meters (cushion) based on 140cm roll.
Leather usage: 2.64 square meters (shell), 0.77 square meters (cushion).

COM must be approved by &Tradition to ensure suitability for upholstery.

Minimum order quantity of same variant: 4 pcs.



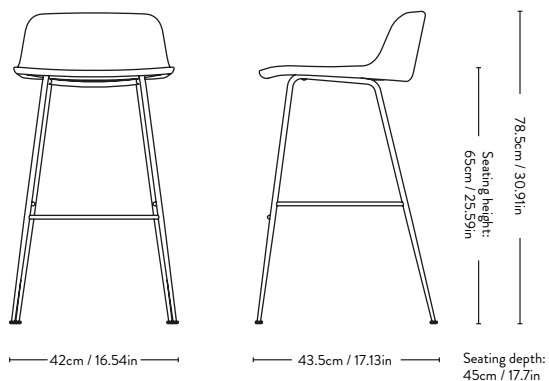
NEW

Rely ^{HW81} Hee Welling 2021



Item code	Shell Colour	Model	Base	Colli qty.	Lead time	Weight	PRICE EX. VAT (EUR)
HW	Black	HW91	Black, Bronzed	1 pc	2-3 weeks	5.26 kg	249
HW	White	HW91	Black, Bronzed	1 pc	2-3 weeks	5.26 kg	249
HW	Beige Sand	HW91	Black, Bronzed	1 pc	2-3 weeks	5.26 kg	249
HW	Red Brown	HW91	Black, Bronzed	1 pc	2-3 weeks	5.26 kg	249
HW	Light Blue	HW91	Black, Bronzed	1 pc	2-3 weeks	5.26 kg	249
HW	Stone Grey	HW91	Black, Bronzed	1 pc	2-3 weeks	5.26 kg	249

Material: Shell made from 100% recycled polypropylene with fiber glass and a steel tube base.



NEW

Rely HW82 Hee Welling 2021



Price group	Shell Colour	Seat Cushion Upholstery	Base	Lead time	Weight	PRICE EX. VAT (EUR)
Fabric gr. 1	Black, White, Beige Sand, Red Brown, Light Blue, Stone Grey	Canvas, Linara, Remix, Re-Wool	Black, Bronzed		6.01 kg	363
Fabric gr. 2	Black, White, Beige Sand, Red Brown, Light Blue, Stone Grey	Clay, Divina Melange, Duke, Fiord, Hallingdal, Loop, Ritz, Ruskin, Steelcut, Steelcut Trio, Tonus, Velvet, Zero	Black, Bronzed		6.01 kg	397
Fabric gr. 3	Black, White, Beige Sand, Red Brown, Light Blue, Stone Grey	Balder, Sisu, Skai Parotega Artificial leather*, Vidar	Black, Bronzed		6.01 kg	442
Fabric gr. 4	Black, White, Beige Sand, Red Brown, Light Blue, Stone Grey	Baru, Fuse, Gentle, Karakorum, Karandash	Black, Bronzed		6.01 kg	488
Leather gr. 1	Black, White, Beige Sand, Red Brown, Light Blue, Stone Grey	Tailor	Black, Bronzed		6.01 kg	408
Leather gr. 2	Black, White, Beige Sand, Red Brown, Light Blue, Stone Grey	Noble	Black, Bronzed		6.01 kg	442
Leather gr. 3	Black, White, Beige Sand, Red Brown, Light Blue, Stone Grey	Elmo soft leather	Black, Bronzed		6.01 kg	476
Fabric COM	Black, White, Beige Sand, Red Brown, Light Blue, Stone Grey	COM Fabric	Black, Bronzed		6.01 kg	363
Leather COL	Black, White, Beige Sand, Red Brown, Light Blue, Stone Grey	COL Leather	Black, Bronzed		6.01 kg	408

*Skai Parotega Artificial leather:
This product contains 0,1-0,2% C,C'-azodi (formamide), CAS no. 123-77-3.

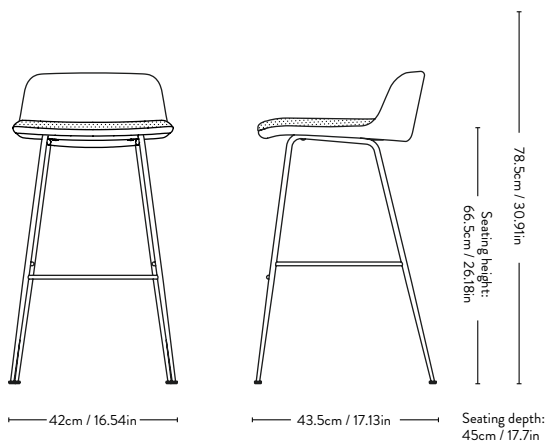
Material: Shell made from 100% recycled polypropylene with fiber glass, HR foam seat covered with fabric or leather upholstery, steel tube base.

Suitable for all floor types.

Fabric usage: 0.49 meter based on a 140 cm roll.

Leather usage: 1 square meter.

COM must be approved by &Tradition to ensure suitability for upholstery.



NEW

Rely ^{HW83} Hee Welling 2021



Price group	Upholstery	Model	Base	Lead time	Weight	PRICE EX. VAT (EUR)
Fabric gr. 1	Canvas, Linara, Remix, Re-Wool	HW83	Black, Bronzed		5.56 kg	442
Fabric gr. 2	Clay, Divina Melange, Duke, Fiord, Hallingdal, Loop, Ritz, Ruskin, Steelcut, Steelcut Trio, Tonus, Velvet, Zero	HW83	Black, Bronzed		5.56 kg	510
Fabric gr. 3	Balder, Sisu, Skai Parotega Artificial leather*, Vidar	HW83	Black, Bronzed		5.56 kg	590
Fabric gr. 4	Baru, Fuse, Gentle, Karakorum, Karandash	HW83	Black, Bronzed		5.56 kg	726
Leather gr. 1	Tailor	HW83	Black, Bronzed		5.56 kg	613
Leather gr. 2	Noble	HW83	Black, Bronzed		5.56 kg	647
Leather gr. 3	Elmo soft leather	HW83	Black, Bronzed		5.56 kg	703
Fabric COM	COM Fabric	HW83	Black, Bronzed		5.56 kg	442
Leather COL	COL Leather	HW83	Black, Bronzed		5.56 kg	613

*Skai Parotega Artificial leather:
This product contains 0,1-0,2% C,C'-azodi (formamide), CAS no. 123-77-3.

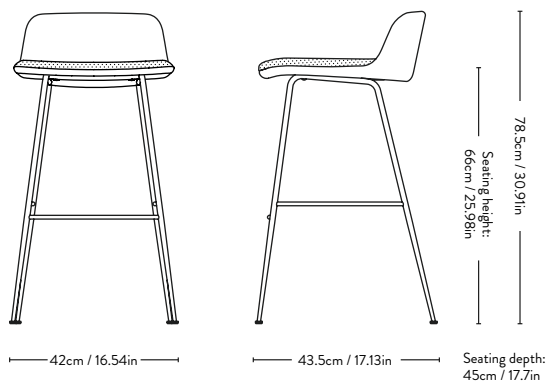
Material: Shell made from 100% recycled polypropylene with fiber glass, covered with HR foam with fabric or leather upholstery, steel tube base.

Suitable for all floor types.

Fabric usage: 1.5 meters based on 140cm roll.

Leather usage: 2.64 square meters.

COM must be approved by &Tradition to ensure suitability for upholstery.



NEW

Rely HW84 Hee Welling 2021



Price group	Upholstery	Model	Base	Lead time	Weight	PRICE EX. VAT (EUR)
Fabric gr. 1	Canvas, Linara, Remix, Re-Wool	HW84	Black, Bronzed		6.21 kg	465
Fabric gr. 2	Clay, Divina Melange, Duke, Fiord, Hallingdal, Loop, Ritz, Ruskin, Steelcut, Steelcut Trio, Tonus, Velvet, Zero	HW84	Black, Bronzed		6.21 kg	533
Fabric gr. 3	Balder, Sisu, Skai Parotega Artificial leather*, Vidar	HW84	Black, Bronzed		6.21 kg	613
Fabric gr. 4	Baru, Fuse, Gentle, Karakorum, Karandash	HW84	Black, Bronzed		6.21 kg	749
Leather gr. 1	Tailor	HW84	Black, Bronzed		6.21 kg	635
Leather gr. 2	Noble	HW84	Black, Bronzed		6.21 kg	669
Leather gr. 3	Elmo soft leather	HW84	Black, Bronzed		6.21 kg	738
Fabric COM	COM Fabric	HW84	Black, Bronzed		6.21 kg	465
Leather COL	COL Leather	HW84	Black, Bronzed		6.21 kg	635

*Skai Parotega Artificial leather:
This product contains 0,1-0,2 % C,C'-azodi (formamide), CAS no. 123-77-3.

Material: Shell made from 100% recycled polypropylene with fiber glass, covered with HR foam with fabric or leather upholstery, steel tube base.

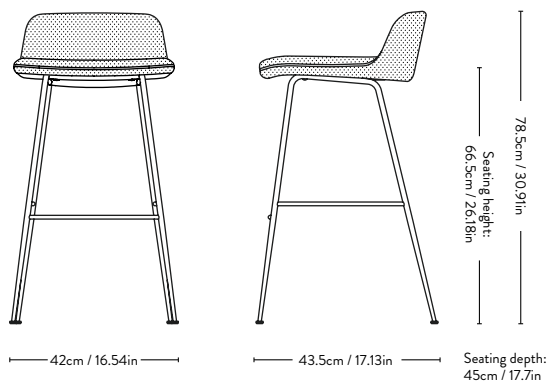
Fabric usage: 1.8 meters based on a 140cm roll.

Leather usage: 2.7 square meters.

COM must be approved by &Tradition to ensure suitability for upholstery.

Predefined variants: Felt gliders installed as standard.

MTO: Plastic gliders installed as standard. Felt gliders available upon request.



NEW

Rely^{HW85} Hee Welling 2021



Please note that price is accumulated price of shell & seat.

Price group	Shell Upholstery	Base	Lead time	Weight	PRICE EX. VAT (EUR)
Fabric gr. 1	Canvas, Linara, Remix, Re-Wool	Black, Bronzed	3-6 weeks	10.50 kg	351
Fabric gr. 2	Clay, Divina Melange, Duke, Fiord, Hallingdal, Loop, Ritz, Ruskin, Steelcut, Steelcut Trio, Tonus, Velvet, Zero	Black, Bronzed	3-6 weeks	10.50 kg	386
Fabric gr. 3	Balder, Sisu, Skai Parotega Artificial leather*, Vidar	Black, Bronzed	3-6 weeks	10.50 kg	420
Fabric gr. 4	Baru, Fuse, Gentle, Karakorum, Karandash	Black, Bronzed	3-6 weeks	10.50 kg	510
Leather gr. 1	Tailor	Black, Bronzed	3-6 weeks	10.50 kg	454
Leather gr. 2	Noble	Black, Bronzed	3-6 weeks	10.50 kg	476
Leather gr. 3	Elmo soft leather	Black, Bronzed	3-6 weeks	10.50 kg	499
Fabric COM	COM Fabric	Black, Bronzed	3-6 weeks	10.50 kg	351
Leather COL	COL Leather	Black, Bronzed	3-6 weeks	10.50 kg	454

Price group	Seat Upholstery	Lead time	PRICE EX. VAT (EUR)
Fabric gr. 1	Canvas, Linara, Remix, Re-Wool	3-6 weeks	114
Fabric gr. 2	Clay, Divina Melange, Duke, Fiord, Hallingdal, Loop, Ritz, Ruskin, Steelcut, Steelcut Trio, Tonus, Velvet, Zero	3-6 weeks	148
Fabric gr. 3	Balder, Sisu, Skai Parotega Artificial leather*, Vidar	3-6 weeks	193
Fabric gr. 4	Baru, Fuse, Gentle, Karakorum, Karandash	3-6 weeks	238
Leather gr. 1	Tailor	3-6 weeks	182
Leather gr. 2	Noble	3-6 weeks	193
Leather gr. 3	Elmo soft leather	3-6 weeks	238
Fabric COM	COM Fabric	3-6 weeks	114
Leather COL	COL Leather	3-6 weeks	182

*Skai Parotega Artificial leather:
This product contains 0,1-0,2% C,C'-azodi (formamide), CAS no. 123-77-3.

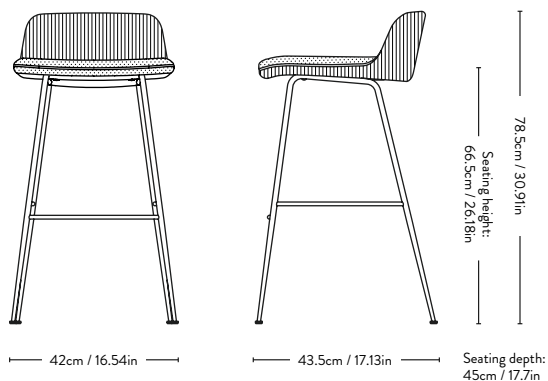
Material: Shell made from 100% recycled polypropylene with fiber glass, covered with HR foam with fabric or leather upholstery, steel tube base.

Suitable for all floor types.

Fabric usage: 1.5 meters (shell), 0.77 meters (cushion) based on 140cm roll.
Leather usage: 2.64 square meters (shell), 0.77 square meters (cushion).

COM must be approved by &Tradition to ensure suitability for upholstery.

Minimum order quantity of same variant: 4 pcs.



NEW

Rely ^{HW86} Hee Welling 2021



Item code	Shell Colour	Model	Base	Colli qty.	Lead time	Weight	PRICE EX. VAT (EUR)
HW	Black	HW96	Black, Bronzed	1 pc	2-3 weeks	5.5 kg	249
HW	White	HW96	Black, Bronzed	1 pc	2-3 weeks	5.5 kg	249
HW	Beige Sand	HW96	Black, Bronzed	1 pc	2-3 weeks	5.5 kg	249
HW	Red Brown	HW96	Black, Bronzed	1 pc	2-3 weeks	5.5 kg	249
HW	Light Blue	HW96	Black, Bronzed	1 pc	2-3 weeks	5.5 kg	249
HW	Stone Grey	HW96	Black, Bronzed	1 pc	2-3 weeks	5.5 kg	249

Material: Shell made from 100% recycled polypropylene with fiber glass and a steel tube base.



NEW

Rely HW87 Hee Welling 2021



Price group	Shell Colour	Seat Cushion Upholstery	Base	Lead time	Weight	PRICE EX. VAT (EUR)
Fabric gr. 1	Black, White, Beige Sand, Red Brown, Light Blue, Stone Grey	Canvas, Linara, Remix, Re-Wool	Black, Bronzed		6.25 kg	363
Fabric gr. 2	Black, White, Beige Sand, Red Brown, Light Blue, Stone Grey	Clay, Divina Melange, Duke, Fiord, Hallingdal, Loop, Ritz, Ruskin, Steelcut, Steelcut Trio, Tonus, Velvet, Zero	Black, Bronzed		6.25 kg	397
Fabric gr. 3	Black, White, Beige Sand, Red Brown, Light Blue, Stone Grey	Balder, Sisu, Skai Parotega Artificial leather*, Vidar	Black, Bronzed		6.25 kg	442
Fabric gr. 4	Black, White, Beige Sand, Red Brown, Light Blue, Stone Grey	Baru, Fuse, Gentle, Karakorum, Karandash	Black, Bronzed		6.25 kg	488
Leather gr. 1	Black, White, Beige Sand, Red Brown, Light Blue, Stone Grey	Tailor	Black, Bronzed		6.25 kg	408
Leather gr. 2	Black, White, Beige Sand, Red Brown, Light Blue, Stone Grey	Noble	Black, Bronzed		6.25 kg	442
Leather gr. 3	Black, White, Beige Sand, Red Brown, Light Blue, Stone Grey	Elmo soft leather	Black, Bronzed		6.25 kg	476
Fabric COM	Black, White, Beige Sand, Red Brown, Light Blue, Stone Grey	COM Fabric	Black, Bronzed		6.25 kg	363
Leather COL	Black, White, Beige Sand, Red Brown, Light Blue, Stone Grey	COL Leather	Black, Bronzed		6.25 kg	408

*Skai Parotega Artificial leather:
This product contains 0,1-0,2% C,C'-azodi (formamide), CAS no. 123-77-3.

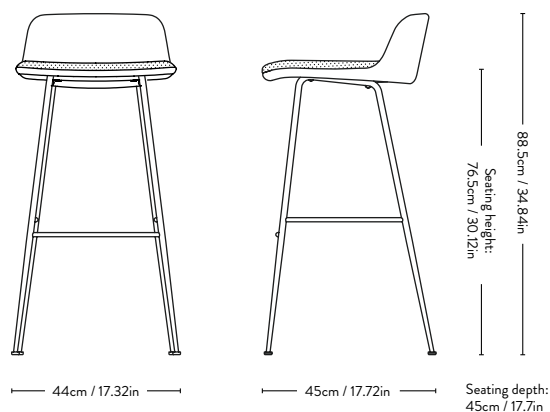
Material: Shell made from 100% recycled polypropylene with fiber glass, HR foam seat covered with fabric or leather upholstery, steel tube base.

Suitable for all floor types.

Fabric usage: 0.49 meter based on a 140 cm roll.

Leather usage: 1 square meter.

COM must be approved by &Tradition to ensure suitability for upholstery.



NEW

Rely ^{HW88} Hee Welling 2021



Price group	Upholstery	Model	Base	Lead time	Weight	PRICE EX. VAT (EUR)
Fabric gr. 1	Canvas, Linara, Remix, Re-Wool	HW88	Black, Bronzed		5.8 kg	442
Fabric gr. 2	Clay, Divina Melange, Duke, Fiord, Hallingdal, Loop, Ritz, Ruskin, Steelcut, Steelcut Trio, Tonus, Velvet, Zero	HW88	Black, Bronzed		5.8 kg	510
Fabric gr. 3	Balder, Sisu, Skai Parotega Artificial leather*, Vidar	HW88	Black, Bronzed		5.8 kg	590
Fabric gr. 4	Baru, Fuse, Gentle, Karakorum, Karandash	HW88	Black, Bronzed		5.8 kg	726
Leather gr. 1	Tailor	HW88	Black, Bronzed		5.8 kg	613
Leather gr. 2	Noble	HW88	Black, Bronzed		5.8 kg	647
Leather gr. 3	Elmo soft leather	HW88	Black, Bronzed		5.8 kg	703
Fabric COM	COM Fabric	HW88	Black, Bronzed		5.8 kg	442
Leather COL	COL Leather	HW88	Black, Bronzed		5.8 kg	613

*Skai Parotega Artificial leather:
This product contains 0,1-0,2% C,C'-azodi (formamide), CAS no. 123-77-3.

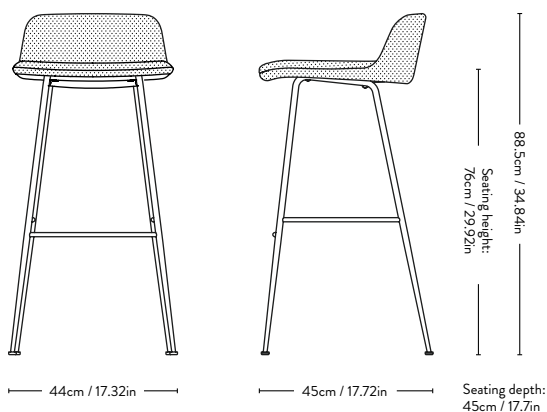
Material: Shell made from 100% recycled polypropylene with fiber glass, covered with HR foam with fabric or leather upholstery, steel tube base.

Suitable for all floor types.

Fabric usage: 1.5 meters based on 140cm roll.

Leather usage: 2.64 square meters.

COM must be approved by &Tradition to ensure suitability for upholstery.



NEW

Rely ^{HW89} Hee Welling 2021



Price group	Upholstery	Model	Base	Lead time	Weight	PRICE EX. VAT (EUR)
Fabric gr. 1	Canvas, Linara, Remix, Re-Wool	HW89	Black, Bronzed	3-6 weeks	6.45 kg	465
Fabric gr. 2	Clay, Divina Melange, Duke, Fiord, Hallingdal, Loop, Ritz, Ruskin, Steelcut, Steelcut Trio, Tonus, Velvet, Zero	HW89	Black, Bronzed	3-6 weeks	6.45 kg	533
Fabric gr. 3	Balder, Sisu, Skai Parotega Artificial leather*, Vidar	HW89	Black, Bronzed	3-6 weeks	6.45 kg	613
Fabric gr. 4	Baru, Fuse, Gentle, Karakorum, Karandash	HW89	Black, Bronzed	3-6 weeks	6.45 kg	749
Leather gr. 1	Tailor	HW89	Black, Bronzed	3-6 weeks	6.45 kg	635
Leather gr. 2	Noble	HW89	Black, Bronzed	3-6 weeks	6.45 kg	669
Leather gr. 3	Elmo soft leather	HW89	Black, Bronzed	3-6 weeks	6.45 kg	738
Fabric COM	COM Fabric	HW89	Black, Bronzed	3-6 weeks	6.45 kg	465
Leather COL	COL Leather	HW89	Black, Bronzed	3-6 weeks	6.45 kg	635

*Skai Parotega Artificial leather:
This product contains 0,1-0,2% C,C'-azodi (formamide), CAS no. 123-77-3.

Material: Shell made from 100% recycled polypropylene with fiber glass, covered with HR foam with fabric or leather upholstery, steel tube base.

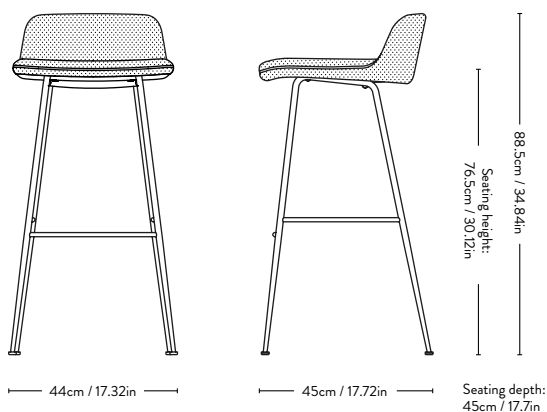
Fabric usage: 1.8 meters based on a 140cm roll.

Leather usage: 2.7 square meters.

COM must be approved by &Tradition to ensure suitability for upholstery.

Predefined variants: Felt gliders installed as standard.

MTO: Plastic gliders installed as standard. Felt gliders available upon request.



NEW

Rely^{HW90} Hee Welling 2021



Please note that price is accumulated price of shell & seat.

Price group	Shell Upholstery	Base	Lead time	Weight	PRICE EX. VAT (EUR)
Fabric gr. 1	Canvas, Linara, Remix, Re-Wool	Black, Bronzed	3-6 weeks	10.50 kg	351
Fabric gr. 2	Clay, Divina Melange, Duke, Fiord, Hallingdal, Loop, Ritz, Ruskin, Steelcut, Steelcut Trio, Tonus, Velvet, Zero	Black, Bronzed	3-6 weeks	10.50 kg	386
Fabric gr. 3	Balder, Sisu, Skai Parotega Artificial leather*, Vidar	Black, Bronzed	3-6 weeks	10.50 kg	420
Fabric gr. 4	Baru, Fuse, Gentle, Karakorum, Karandash	Black, Bronzed	3-6 weeks	10.50 kg	510
Leather gr. 1	Tailor	Black, Bronzed	3-6 weeks	10.50 kg	454
Leather gr. 2	Noble	Black, Bronzed	3-6 weeks	10.50 kg	476
Leather gr. 3	Elmo soft leather	Black, Bronzed	3-6 weeks	10.50 kg	499
Fabric COM	COM Fabric	Black, Bronzed	3-6 weeks	10.50 kg	351
Leather COL	COL Leather	Black, Bronzed	3-6 weeks	10.50 kg	454

Price group	Seat Upholstery	Lead time	PRICE EX. VAT (EUR)
Fabric gr. 1	Canvas, Linara, Remix, Re-Wool	3-6 weeks	114
Fabric gr. 2	Clay, Divina Melange, Duke, Fiord, Hallingdal, Loop, Ritz, Ruskin, Steelcut, Steelcut Trio, Tonus, Velvet, Zero	3-6 weeks	148
Fabric gr. 3	Balder, Sisu, Skai Parotega Artificial leather*, Vidar	3-6 weeks	193
Fabric gr. 4	Baru, Fuse, Gentle, Karakorum, Karandash	3-6 weeks	238
Leather gr. 1	Tailor	3-6 weeks	182
Leather gr. 2	Noble	3-6 weeks	193
Leather gr. 3	Elmo soft leather	3-6 weeks	238
Fabric COM	COM Fabric	3-6 weeks	114
Leather COL	COL Leather	3-6 weeks	182

*Skai Parotega Artificial leather:
This product contains 0,1-0,2 % C,C'-azodi (formamide), CAS no. 123-77-3.

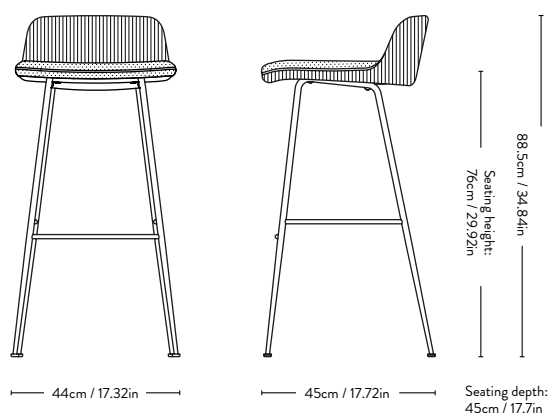
Material: Shell made from 100% recycled polypropylene with fiber glass, covered with HR foam with fabric or leather upholstery, steel tube base.

Suitable for all floor types.

Fabric usage: 1.5 meters (shell), 0.77 meters (cushion) based on 140cm roll.
Leather usage: 2.64 square meters (shell), 0.77 square meters (cushion).

COM must be approved by &Tradition to ensure suitability for upholstery.

Minimum order quantity of same variant: 4 pcs.



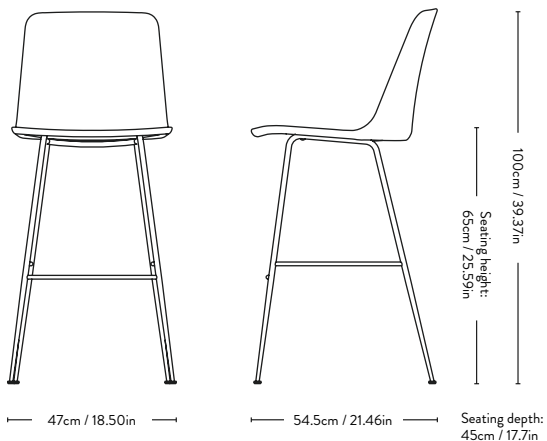
NEW

Rely HW91 Hee Welling 2021



Item code	Shell Colour	Model	Base	Colli qty.	Lead time	Weight	PRICE EX. VAT (EUR)
HW	Black	HW91	Black	1 pc	2-3 weeks	7.08 kg	272
HW	White	HW91	Black	1 pc	2-3 weeks	7.08 kg	272
HW	Beige Sand	HW91	Black	1 pc	2-3 weeks	7.08 kg	272
HW	Red Brown	HW91	Black	1 pc	2-3 weeks	7.08 kg	272
HW	Light Blue	HW91	Black	1 pc	2-3 weeks	7.08 kg	272
HW	Stone Grey	HW91	Black	1 pc	2-3 weeks	7.08 kg	272

Material: Shell made from 100% recycled polypropylene with fiber glass and a steel tube base.



NEW

Rely HW92 Hee Welling 2021



Price group	Shell Colour	Seat Cushion Upholstery	Base	Lead time	Weight	PRICE EX. VAT (EUR)
Fabric gr. 1	Black, White, Beige Sand, Red Brown, Light Blue, Stone Grey	Canvas, Linara, Remix, Re-Wool	Black, Bronzed		7.88 kg	386
Fabric gr. 2	Black, White, Beige Sand, Red Brown, Light Blue, Stone Grey	Clay, Divina Melange, Duke, Fiord, Hallingdal, Loop, Ritz, Ruskin, Steelcut, Steelcut Trio, Tonus, Velvet, Zero	Black, Bronzed		7.88 kg	420
Fabric gr. 3	Black, White, Beige Sand, Red Brown, Light Blue, Stone Grey	Balder, Sisu, Skai Parotega Artificial leather*, Vidar	Black, Bronzed		7.88 kg	465
Fabric gr. 4	Black, White, Beige Sand, Red Brown, Light Blue, Stone Grey	Baru, Fuse, Gentle, Karakorum, Karandash	Black, Bronzed		7.88 kg	510
Leather gr. 1	Black, White, Beige Sand, Red Brown, Light Blue, Stone Grey	Tailor	Black, Bronzed		7.88 kg	431
Leather gr. 2	Black, White, Beige Sand, Red Brown, Light Blue, Stone Grey	Noble	Black, Bronzed		7.88 kg	465
Leather gr. 3	Black, White, Beige Sand, Red Brown, Light Blue, Stone Grey	Elmo soft leather	Black, Bronzed		7.88 kg	499
Fabric COM	Black, White, Beige Sand, Red Brown, Light Blue, Stone Grey	COM Fabric	Black, Bronzed		7.88 kg	386
Leather COL	Black, White, Beige Sand, Red Brown, Light Blue, Stone Grey	COL Leather	Black, Bronzed		7.88 kg	431

*Skai Parotega Artificial leather:
This product contains 0,1-0,2% C,C'-azodi (formamide), CAS no. 123-77-3.

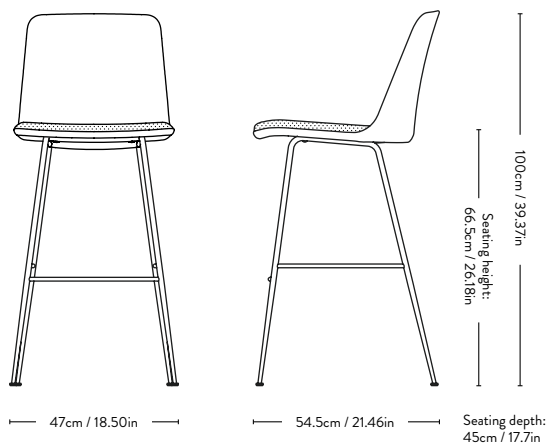
Material: Shell made from 100% recycled polypropylene with fiber glass, HR foam seat covered with fabric or leather upholstery, steel tube base.

Suitable for all floor types.

Fabric usage: 0.49 meter based on a 140 cm roll.

Leather usage: 1 square meter.

COM must be approved by &Tradition to ensure suitability for upholstery.



NEW

Rely ^{HW93} Hee Welling 2021



Price group	Upholstery	Model	Base	Lead time	Weight	PRICE EX. VAT (EUR)
Fabric gr. 1	Canvas, Linara, Remix, Re-Wool	HW93	Black, Bronzed		7.58 kg	476
Fabric gr. 2	Clay, Divina Melange, Duke, Fiord, Hallingdal, Loop, Ritz, Ruskin, Steelcut, Steelcut Trio, Tonus, Velvet, Zero	HW93	Black, Bronzed		7.58 kg	545
Fabric gr. 3	Balder, Sisu, Skai Parotega Artificial leather*, Vidar	HW93	Black, Bronzed		7.58 kg	624
Fabric gr. 4	Baru, Fuse, Gentle, Karakorum, Karandash	HW93	Black, Bronzed		7.58 kg	760
Leather gr. 1	Tailor	HW93	Black, Bronzed		7.58 kg	647
Leather gr. 2	Noble	HW93	Black, Bronzed		7.58 kg	681
Leather gr. 3	Elmo soft leather	HW93	Black, Bronzed		7.58 kg	738
Fabric COM	COM Fabric	HW93	Black, Bronzed		7.58 kg	476
Leather COL	COL Leather	HW93	Black, Bronzed		7.58 kg	647

*Skai Parotega Artificial leather:
This product contains 0,1-0,2% C,C'-azodi (formamide), CAS no. 123-77-3.

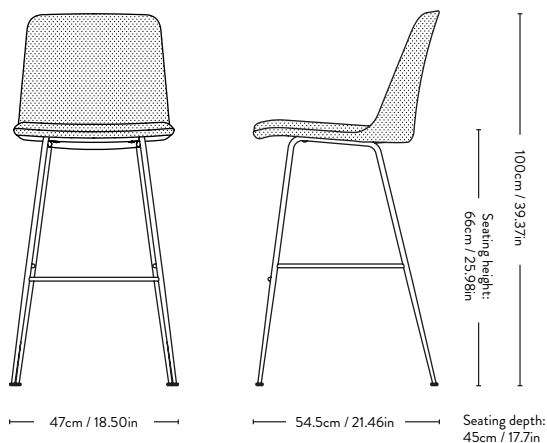
Material: Shell made from 100% recycled polypropylene with fiber glass, covered with HR foam with fabric or leather upholstery, steel tube base.

Suitable for all floor types.

Fabric usage: 1.4 meters based on 140cm roll.

Leather usage: 2.64 square meters.

COM must be approved by &Tradition to ensure suitability for upholstery.



NEW

Rely HW94 Hee Welling 2021



Price group	Upholstery	Model	Base	Lead time	Weight	PRICE EX. VAT (EUR)
Fabric gr. 1	Canvas, Linara, Remix, Re-Wool	HW94	Black, Bronzed		8.68 kg	499
Fabric gr. 2	Clay, Divina Melange, Duke, Fiord, Hallingdal, Loop, Ritz, Ruskin, Steelcut, Steelcut Trio, Tonus, Velvet, Zero	HW94	Black, Bronzed		8.68 kg	567
Fabric gr. 3	Balder, Sisu, Skai Parotega Artificial leather*, Vidar	HW94	Black, Bronzed		8.68 kg	647
Fabric gr. 4	Baru, Fuse, Gentle, Karakorum, Karandash	HW94	Black, Bronzed		8.68 kg	783
Leather gr. 1	Tailor	HW94	Black, Bronzed		8.68 kg	669
Leather gr. 2	Noble	HW94	Black, Bronzed		8.68 kg	703
Leather gr. 3	Elmo soft leather	HW94	Black, Bronzed		8.68 kg	806
Fabric COM	COM Fabric	HW94	Black, Bronzed		8.68 kg	499
Leather COL	COL Leather	HW94	Black, Bronzed		8.68 kg	669

*Skai Parotega Artificial leather:

This product contains 0,1-0,2% C,C'-azodi (formamide), CAS no. 123-77-3.

Material: Shell made from 100% recycled polypropylene with fiber glass, covered with HR foam with fabric or leather upholstery, steel tube base.

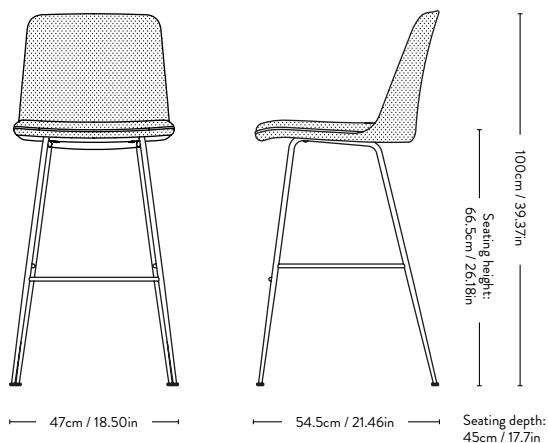
Fabric usage: 1.8 meters based on a 140cm roll.

Leather usage: 2.7 square meters.

COM must be approved by &Tradition to ensure suitability for upholstery.

Predefined variants: Felt gliders installed as standard.

MTO: Plastic gliders installed as standard. Felt gliders available upon request.



NEW

Rely HW95 Hee Welling 2021



Please note that price is accumulated price of shell & seat.

Price group	Shell Upholstery	Base	Lead time	Weight	PRICE EX. VAT (EUR)
Fabric gr. 1	Canvas, Linara, Remix, Re-Wool	Black, Bronzed	3-6 weeks	10.50 kg	386
Fabric gr. 2	Clay, Divina Melange, Duke, Fiord, Hallingdal, Loop, Ritz, Ruskin, Steelcut, Steelcut Trio, Tonus, Velvet, Zero	Black, Bronzed	3-6 weeks	10.50 kg	420
Fabric gr. 3	Balder, Sisu, Skai Parotega Artificial leather*, Vidar	Black, Bronzed	3-6 weeks	10.50 kg	454
Fabric gr. 4	Baru, Fuse, Gentle, Karakorum, Karandash	Black, Bronzed	3-6 weeks	10.50 kg	545
Leather gr. 1	Tailor	Black, Bronzed	3-6 weeks	10.50 kg	488
Leather gr. 2	Noble	Black, Bronzed	3-6 weeks	10.50 kg	510
Leather gr. 3	Elmo soft leather	Black, Bronzed	3-6 weeks	10.50 kg	567
Fabric COM	COM Fabric	Black, Bronzed	3-6 weeks	10.50 kg	386
Leather COL	COL Leather	Black, Bronzed	3-6 weeks	10.50 kg	488

Price group	Seat Upholstery	Lead time	PRICE EX. VAT (EUR)
Fabric gr. 1	Canvas, Linara, Remix, Re-Wool	3-6 weeks	114
Fabric gr. 2	Clay, Divina Melange, Duke, Fiord, Hallingdal, Loop, Ritz, Ruskin, Steelcut, Steelcut Trio, Tonus, Velvet, Zero	3-6 weeks	148
Fabric gr. 3	Balder, Sisu, Skai Parotega Artificial leather*, Vidar	3-6 weeks	193
Fabric gr. 4	Baru, Fuse, Gentle, Karakorum, Karandash	3-6 weeks	238
Leather gr. 1	Tailor	3-6 weeks	182
Leather gr. 2	Noble	3-6 weeks	193
Leather gr. 3	Elmo soft leather	3-6 weeks	238
Fabric COM	COM Fabric	3-6 weeks	114
Leather COL	COL Leather	3-6 weeks	182

*Skai Parotega Artificial leather:
This product contains 0,1-0,2% C,C~azodi (formamide), CAS no. 123-77-3.

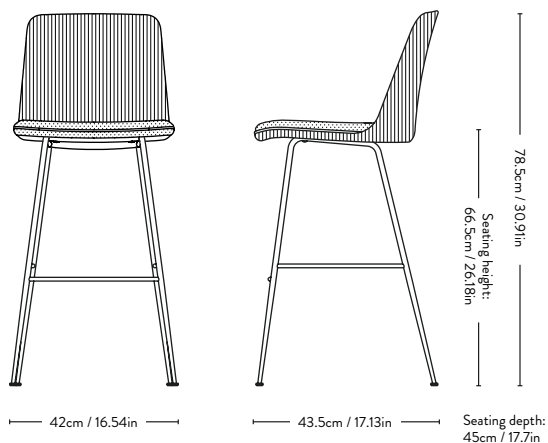
Material: Shell made from 100% recycled polypropylene with fiber glass, covered with HR foam with fabric or leather upholstery, steel tube base.

Suitable for all floor types.

Fabric usage: 1.9 meters (shell), 0.77 meters (cushion) based on 140cm roll.
Leather usage: 2.64 square meters (shell), 0.77 square meters (cushion).

COM must be approved by &Tradition to ensure suitability for upholstery.

Minimum order quantity of same variant: 4 pcs.



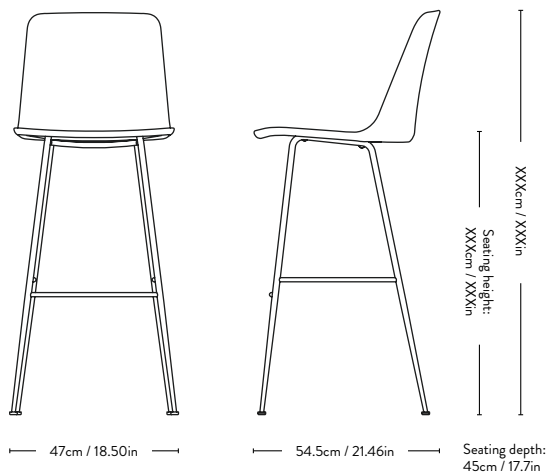
NEW

Rely HW96 Hee Welling 2021



Item code	Shell Colour	Model	Base	Colli qty.	Lead time	Weight	PRICE EX. VAT (EUR)
HW	Black	HW96	Black, Bronzed	1 pc	2-3 weeks	7.4 kg	272
HW	White	HW96	Black, Bronzed	1 pc	2-3 weeks	7.4 kg	272
HW	Beige Sand	HW96	Black, Bronzed	1 pc	2-3 weeks	7.4 kg	272
HW	Red Brown	HW96	Black, Bronzed	1 pc	2-3 weeks	7.4 kg	272
HW	Light Blue	HW96	Black, Bronzed	1 pc	2-3 weeks	7.4 kg	272
HW	Stone Grey	HW96	Black, Bronzed	1 pc	2-3 weeks	7.4 kg	272

Material: Shell made from 100% recycled polypropylene with fiber glass and a steel tube base.



NEW

Rely HW97 Hee Welling 2021



Price group	Shell Colour	Seat Cushion Upholstery	Base	Lead time	Weight	PRICE EX. VAT (EUR)
Fabric gr. 1	Black, White, Beige Sand, Red Brown, Light Blue, Stone Grey	Canvas, Linara, Remix, Re-Wool	Black, Bronzed		8.2 kg	386
Fabric gr. 2	Black, White, Beige Sand, Red Brown, Light Blue, Stone Grey	Clay, Divina Melange, Duke, Fiord, Hallingdal, Loop, Ritz, Ruskin, Steelcut, Steelcut Trio, Tonus, Velvet, Zero	Black, Bronzed		8.2 kg	420
Fabric gr. 3	Black, White, Beige Sand, Red Brown, Light Blue, Stone Grey	Balder, Sisu, Skai Parotega Artificial leather*, Vidar	Black, Bronzed		8.2 kg	465
Fabric gr. 4	Black, White, Beige Sand, Red Brown, Light Blue, Stone Grey	Baru, Fuse, Gentle, Karakorum, Karandash	Black, Bronzed		8.2 kg	510
Leather gr. 1	Black, White, Beige Sand, Red Brown, Light Blue, Stone Grey	Tailor	Black, Bronzed		8.2 kg	431
Leather gr. 2	Black, White, Beige Sand, Red Brown, Light Blue, Stone Grey	Noble	Black, Bronzed		8.2 kg	465
Leather gr. 3	Black, White, Beige Sand, Red Brown, Light Blue, Stone Grey	Elmo soft leather	Black, Bronzed		8.2 kg	499
Fabric COM	Black, White, Beige Sand, Red Brown, Light Blue, Stone Grey	COM Fabric	Black, Bronzed		8.2 kg	386
Leather COL	Black, White, Beige Sand, Red Brown, Light Blue, Stone Grey	COL Leather	Black, Bronzed		8.2 kg	431

*Skai Parotega Artificial leather:
This product contains 0,1-0,2% C,C'-azodi (formamide), CAS no. 123-77-3.

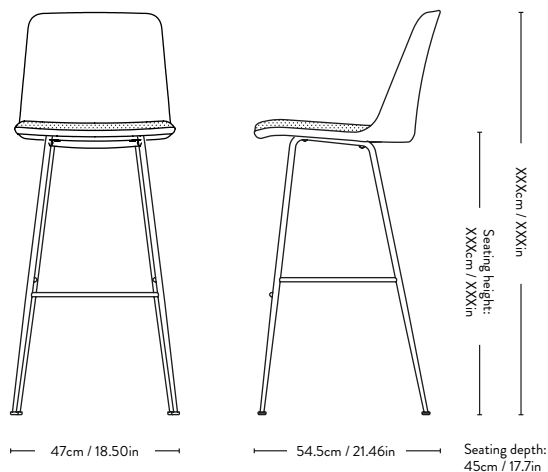
Material: Shell made from 100% recycled polypropylene with fiber glass, HR foam seat covered with fabric or leather upholstery, steel tube base.

Suitable for all floor types.

Fabric usage: 0.49 meter based on a 140 cm roll.

Leather usage: 1 square meter.

COM must be approved by &Tradition to ensure suitability for upholstery.



NEW

Rely HW98 Hee Welling 2021



Price group	Upholstery	Model	Base	Lead time	Weight	PRICE EX. VAT (EUR)
Fabric gr. 1	Canvas, Linara, Remix, Re-Wool	HW98	Black, Bronzed		7.9 kg	476
Fabric gr. 2	Clay, Divina Melange, Duke, Fiord, Hallingdal, Loop, Ritz, Ruskin, Steelcut, Steelcut Trio, Tonus, Velvet, Zero	HW98	Black, Bronzed		7.9 kg	545
Fabric gr. 3	Balder, Sisu, Skai Parotega Artificial leather*, Vidar	HW98	Black, Bronzed		7.9 kg	624
Fabric gr. 4	Baru, Fuse, Gentle, Karakorum, Karandash	HW98	Black, Bronzed		7.9 kg	760
Leather gr. 1	Tailor	HW98	Black, Bronzed		7.9 kg	647
Leather gr. 2	Noble	HW98	Black, Bronzed		7.9 kg	681
Leather gr. 3	Elmo soft leather	HW98	Black, Bronzed		7.9 kg	738
Fabric COM	COM Fabric	HW98	Black, Bronzed		7.9 kg	476
Leather COL	COL Leather	HW98	Black, Bronzed		7.9 kg	647

*Skai Parotega Artificial leather:
This product contains 0,1-0,2% C,C'-azodi (formamide), CAS no. 123-77-3.

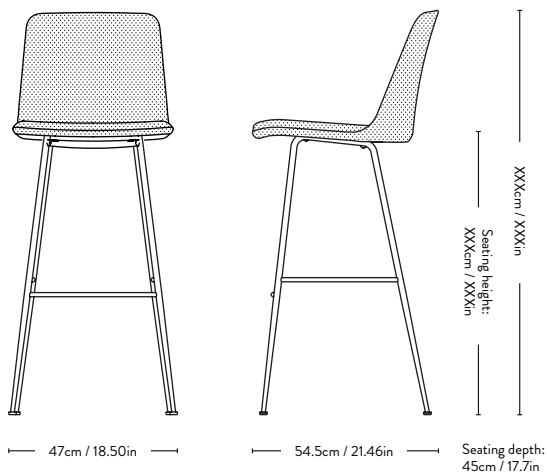
Material: Shell made from 100% recycled polypropylene with fiber glass, covered with HR foam with fabric or leather upholstery, steel tube base.

Suitable for all floor types.

Fabric usage: 1.4 meters based on 140cm roll.

Leather usage: 2.64 square meters.

COM must be approved by &Tradition to ensure suitability for upholstery.



NEW

Rely ^{HW99} Hee Welling 2021



Price group	Upholstery	Model	Base	Lead time	Weight	PRICE EX. VAT (EUR)
Fabric gr. 1	Canvas, Linara, Remix, Re-Wool	HW99	Black, Bronzed	3-6 weeks	9.00 kg	499
Fabric gr. 2	Clay, Divina Melange, Duke, Fiord, Hallingdal, Loop, Ritz, Ruskin, Steelcut, Steelcut Trio, Tonus, Velvet, Zero	HW99	Black, Bronzed	3-6 weeks	9.00 kg	567
Fabric gr. 3	Balder, Sisu, Skai Parotega Artificial leather*, Vidar	HW99	Black, Bronzed	3-6 weeks	9.00 kg	647
Fabric gr. 4	Baru, Fuse, Gentle, Karakorum, Karandash	HW99	Black, Bronzed	3-6 weeks	9.00 kg	783
Leather gr. 1	Tailor	HW99	Black, Bronzed	3-6 weeks	9.00 kg	669
Leather gr. 2	Noble	HW99	Black, Bronzed	3-6 weeks	9.00 kg	703
Leather gr. 3	Elmo soft leather	HW99	Black, Bronzed	3-6 weeks	9.00 kg	806
Fabric COM	COM Fabric	HW99	Black, Bronzed	3-6 weeks	9.00 kg	499
Leather COL	COL Leather	HW99	Black, Bronzed	3-6 weeks	9.00 kg	669

*Skai Parotega Artificial leather:
This product contains 0,1-0,2 % C,C'-azodi (formamide), CAS no. 123-77-3.

Material: Shell made from 100% recycled polypropylene with fiber glass, covered with HR foam with fabric or leather upholstery, steel tube base.

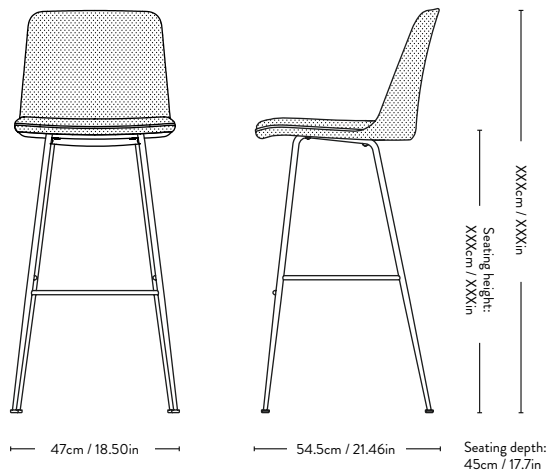
Fabric usage: 1.4 meters based on a 140cm roll.

Leather usage: 2.7 square meters.

COM must be approved by &Tradition to ensure suitability for upholstery.

Predefined variants: Felt gliders installed as standard.

MTO: Plastic gliders installed as standard. Felt gliders available upon request.



NEW

Rely HW100 Hee Welling 2021



Please note that price is accumulated price of shell & seat.

Price group	Shell Upholstery	Base	Lead time	Weight	PRICE EX. VAT (EUR)
Fabric gr. 1	Canvas, Linara, Remix, Re-Wool	Black, Bronzed	3-6 weeks	9.00 kg	386
Fabric gr. 2	Clay, Divina Melange, Duke, Fiord, Hallingdal, Loop, Ritz, Ruskin, Steelcut, Steelcut Trio, Tonus, Velvet, Zero	Black, Bronzed	3-6 weeks	9.00 kg	420
Fabric gr. 3	Balder, Sisu, Skai Parotega Artificial leather*, Vidar	Black, Bronzed	3-6 weeks	9.00 kg	454
Fabric gr. 4	Baru, Fuse, Gentle, Karakorum, Karandash	Black, Bronzed	3-6 weeks	9.00 kg	545
Leather gr. 1	Tailor	Black, Bronzed	3-6 weeks	9.00 kg	488
Leather gr. 2	Noble	Black, Bronzed	3-6 weeks	9.00 kg	510
Leather gr. 3	Elmo soft leather	Black, Bronzed	3-6 weeks	9.00 kg	567
Fabric COM	COM Fabric	Black, Bronzed	3-6 weeks	9.00 kg	386
Leather COL	COL Leather	Black, Bronzed	3-6 weeks	9.00 kg	488

Price group	Seat Upholstery	Lead time	PRICE EX. VAT (EUR)
Fabric gr. 1	Canvas, Linara, Remix, Re-Wool	3-6 weeks	114
Fabric gr. 2	Clay, Divina Melange, Duke, Fiord, Hallingdal, Loop, Ritz, Ruskin, Steelcut, Steelcut Trio, Tonus, Velvet, Zero	3-6 weeks	148
Fabric gr. 3	Balder, Sisu, Skai Parotega Artificial leather*, Vidar	3-6 weeks	193
Fabric gr. 4	Baru, Fuse, Gentle, Karakorum, Karandash	3-6 weeks	238
Leather gr. 1	Tailor	3-6 weeks	182
Leather gr. 2	Noble	3-6 weeks	193
Leather gr. 3	Elmo soft leather	3-6 weeks	238
Fabric COM	COM Fabric	3-6 weeks	114
Leather COL	COL Leather	3-6 weeks	182

*Skai Parotega Artificial leather:

This product contains 0,1-0,2 % C,C'-azodi (formamide), CAS no. 123-77-3.

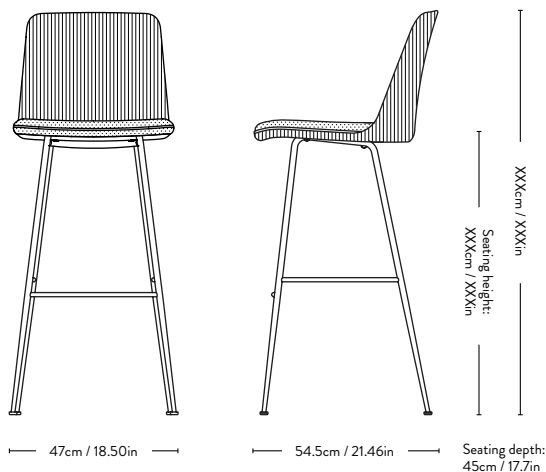
Material: Shell made from 100% recycled polypropylene with fiber glass, covered with HR foam with fabric or leather upholstery, steel tube base.

Suitable for all floor types.

Fabric usage: 1.9 meters (shell), 0.77 meters (cushion) based on 140cm roll.
Leather usage: 2.9 square meters (shell), 0.77 square meters (cushion).

COM must be approved by &Tradition to ensure suitability for upholstery.

Minimum order quantity of same variant: 4 pcs.



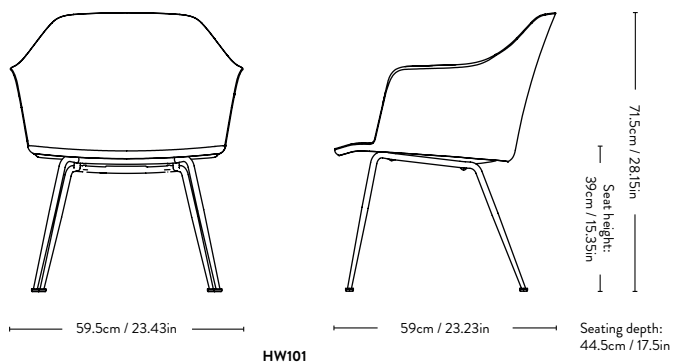
NEW

Rely^{HW101} Hee Welling 2021



Item code	Shell Colour	Model	Base	Colli qty.	Lead time	Weight	PRICE EX. VAT (EUR)
HW	Black	HW101	Black	1 pc	2-3 weeks	6.42 kg	249
HW	White	HW101	Black	1 pc	2-3 weeks	6.42 kg	249
HW	Beige Sand	HW101	Black	1 pc	2-3 weeks	6.42 kg	249
HW	Red Brown	HW101	Black	1 pc	2-3 weeks	6.42 kg	249
HW	Light Blue	HW101	Black	1 pc	2-3 weeks	6.42 kg	249
HW	Stone Grey	HW101	Black	1 pc	2-3 weeks	6.42 kg	249

Material: Shell is made from 100% recycled polypropylene with fiber glass.



NEW

Rely^{HW102} Hee Welling 2021



Price group	Shell Colour	Seat Cushion Upholstery	Base	Lead time	Weight	PRICE EX. VAT (EUR)
Fabric gr. 1	Black, White, Beige Sand, Red Brown, Light Blue, Stone Grey	Canvas, Linara, Remix, Re-Wool	Black		7.62 kg	363
Fabric gr. 2	Black, White, Beige Sand, Red Brown, Light Blue, Stone Grey	Clay, Divina Melange, Duke, Fiord, Hallingdal, Loop, Ritz, Ruskin, Steelcut, Steelcut Trio, Tonus, Velvet, Zero	Black		7.62 kg	397
Fabric gr. 3	Black, White, Beige Sand, Red Brown, Light Blue, Stone Grey	Balder, Sisu, Skai Parotega Artificial leather*, Vidar	Black		7.62 kg	442
Fabric gr. 4	Black, White, Beige Sand, Red Brown, Light Blue, Stone Grey	Baru, Fuse, Gentle, Karakorum, Karandash	Black		7.62 kg	488
Leather gr. 1	Black, White, Beige Sand, Red Brown, Light Blue, Stone Grey	Tailor	Black		7.62 kg	408
Leather gr. 2	Black, White, Beige Sand, Red Brown, Light Blue, Stone Grey	Noble	Black		7.62 kg	442
Leather gr. 3	Black, White, Beige Sand, Red Brown, Light Blue, Stone Grey	Elmo soft leather	Black		7.62 kg	476
Fabric COM	Black, White, Beige Sand, Red Brown, Light Blue, Stone Grey	COM Fabric	Black		7.62 kg	363
Leather COL	Black, White, Beige Sand, Red Brown, Light Blue, Stone Grey	COL Leather	Black		7.62 kg	408

*Skai Parotega Artificial leather:
This product contains 0,1-0,2% C,C'-azodi (formamide), CAS no. 123-77-3.

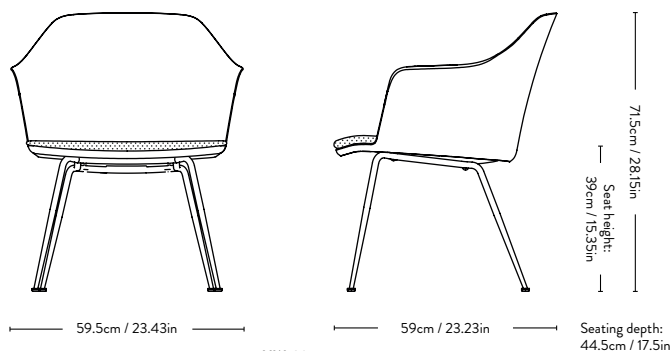
Material: Shell made from 100% recycled polypropylene with fiber glass, covered with HR foam with fabric or leather upholstery, steel tube base.

Suitable for all floor types.

Fabric usage: 0.98 meters based on 140cm roll.

Leather usage: 2.64 square meters.

COM must be approved by &Tradition to ensure suitability for upholstery.



HW102

NEW

Rely^{HW103} Hee Welling 2021



Price group	Upholstery	Model	Base	Lead time	Weight	PRICE EX. VAT (EUR)
Fabric gr. 1	Canvas, Linara, Remix, Re-Wool	HW103	Black	3-6 weeks	7.12 kg	476
Fabric gr. 2	Clay, Divina Melange, Duke, Fiord, Hallingdal, Loop, Ritz, Ruskin, Steelcut, Steelcut Trio, Tonus, Velvet, Zero	HW103	Black	3-6 weeks	7.12 kg	545
Fabric gr. 3	Balder, Sisu, Skai Parotega Artificial leather*, Vidar	HW103	Black	3-6 weeks	7.12 kg	635
Fabric gr. 4	Baru, Fuse, Gentle, Karakorum, Karandash	HW103	Black	3-6 weeks	7.12 kg	851
Leather gr. 1	Tailor	HW103	Black	3-6 weeks	7.12 kg	658
Leather gr. 2	Noble	HW103	Black	3-6 weeks	7.12 kg	794
Leather gr. 3	Elmo soft leather	HW103	Black	3-6 weeks	7.12 kg	874
Fabric COM	COM Fabric	HW103	Black	3-6 weeks	7.12 kg	476
Leather COL	COL Leather	HW103	Black	3-6 weeks	7.12 kg	658

*Skai Parotega Artificial leather:
This product contains 0,1-0,2% C,C'-azodi (formamide), CAS no. 123-77-3.

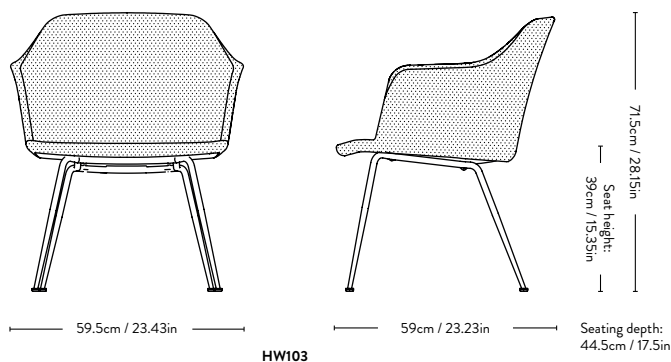
Material: Shell made from 100% recycled polypropylene with fiber glass, covered with HR foam with fabric or leather upholstery, steel tube base.

Suitable for all floor types.

Fabric usage: 1.68 meters based on 140cm roll.

Leather usage: 2.64 square meters.

COM must be approved by &Tradition to ensure suitability for upholstery.



NEW

Rely^{HW104} Hee Welling 2021



Price group	Upholstery	Model	Base	Lead time	Weight	PRICE EX. VAT (EUR)
Fabric gr. 1	Canvas, Linara, Remix, Re-Wool	HW104	Black	3-6 weeks	7.36 kg	510
Fabric gr. 2	Clay, Divina Melange, Duke, Fiord, Hallingdal, Loop, Ritz, Ruskin, Steelcut, Steelcut Trio, Tonus, Velvet, Zero	HW104	Black	3-6 weeks	7.36 kg	579
Fabric gr. 3	Balder, Sisu, Skai Parotega Artificial leather*, Vidar	HW104	Black	3-6 weeks	7.36 kg	669
Fabric gr. 4	Baru, Fuse, Gentle, Karakorum, Karandash	HW104	Black	3-6 weeks	7.36 kg	885
Leather gr. 1	Tailor	HW104	Black	3-6 weeks	7.36 kg	692
Leather gr. 2	Noble	HW104	Black	3-6 weeks	7.36 kg	828
Leather gr. 3	Elmo soft leather	HW104	Black	3-6 weeks	7.36 kg	931
Fabric COM	COM Fabric	HW104	Black	3-6 weeks	7.36 kg	510
Leather COL	COL Leather	HW104	Black	3-6 weeks	7.36 kg	692

*Skai Parotega Artificial leather:
This product contains 0,1-0,2% C,C'-azodi (formamide), CAS no. 123-77-3.

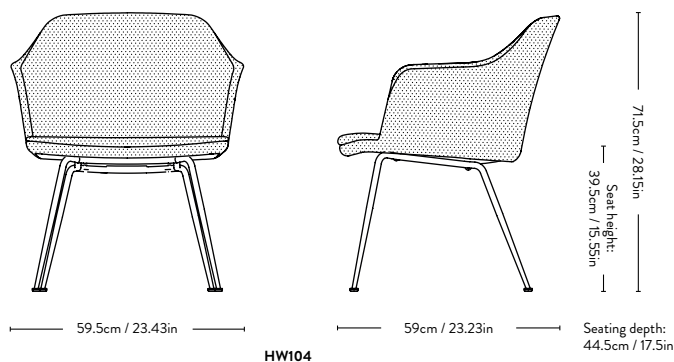
Material: Shell made from 100% recycled polypropylene with fiber glass, covered with HR foam with fabric or leather upholstery, steel tube base.

Suitable for all floor types.

Fabric usage: 2.66 meters based on 140cm roll.

Leather usage: 3.4 square meters.

COM must be approved by &Tradition to ensure suitability for upholstery.



NEW

Rely HW105 Hee Welling 2021



Please note that price is accumulated price of shell & seat.

Price group	Shell Upholstery	Model	Base	Lead time	Weight	PRICE EX. VAT (EUR)
Fabric gr. 1	Canvas, Linara, Remix, Re-Wool	HW105	Black	3-6 weeks	7.36 kg	397
Fabric gr. 2	Clay, Divina Melange, Duke, Fiord, Hallingdal, Loop, Ritz, Ruskin, Steelcut, Steelcut Trio, Tonus, Velvet, Zero	HW105	Black	3-6 weeks	7.36 kg	431
Fabric gr. 3	Balder, Sisu, Skai Parotega Artificial leather*, Vidar	HW105	Black	3-6 weeks	7.36 kg	476
Fabric gr. 4	Baru, Fuse, Gentle, Karakorum, Karandash	HW105	Black	3-6 weeks	7.36 kg	647
Leather gr. 1	Tailor	HW105	Black	3-6 weeks	7.36 kg	510
Leather gr. 2	Noble	HW105	Black	3-6 weeks	7.36 kg	635
Leather gr. 3	Elmo soft leather	HW105	Black	3-6 weeks	7.36 kg	692
Fabric COM	COM Fabric	HW105	Black	3-6 weeks	7.36 kg	397
Leather COL	COL Leather	HW105	Black	3-6 weeks	7.36 kg	510

Price group	Seat Upholstery	Lead time	PRICE EX. VAT (EUR)
Fabric gr. 1	Canvas, Linara, Remix, Re-Wool	3-6 weeks	114
Fabric gr. 2	Clay, Divina Melange, Duke, Fiord, Hallingdal, Loop, Ritz, Ruskin, Steelcut, Steelcut Trio, Tonus, Velvet, Zero	3-6 weeks	148
Fabric gr. 3	Balder, Sisu, Skai Parotega Artificial leather*, Vidar	3-6 weeks	193
Fabric gr. 4	Baru, Fuse, Gentle, Karakorum, Karandash	3-6 weeks	238
Leather gr. 1	Tailor	3-6 weeks	182
Leather gr. 2	Noble	3-6 weeks	193
Leather gr. 3	Elmo soft leather	3-6 weeks	238
Fabric COM	COM Fabric	3-6 weeks	114
Leather COL	COL Leather	3-6 weeks	182

*Skai Parotega Artificial leather:
This product contains 0,1-0,2 % C,C'-azodi (formamide), CAS no. 123-77-3.

Material: Shell made from 100% recycled polypropylene with fiber glass, covered with HR foam with fabric or leather upholstery, steel tube base.

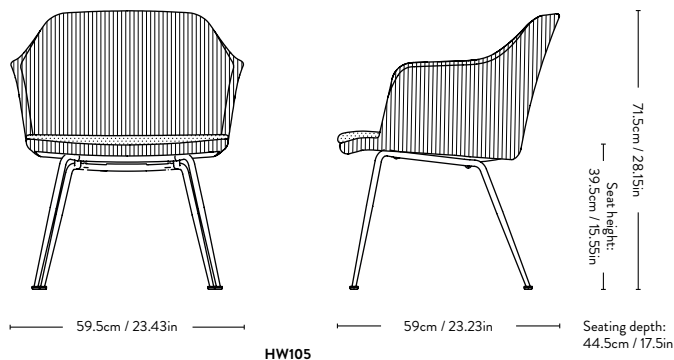
Suitable for all floor types.

Fabric usage: 2.66 meters (shell), 0.77 meters (cushion) based on 140cm roll.

Leather usage: 2.64 square meters (shell), 0.77 square meters (cushion).

COM must be approved by &Tradition to ensure suitability for upholstery.

Minimum order quantity of same variant: 4 pcs.



Rely Seat Pad Hee Welling 2020



Price group	Upholstery	Lead time	Weight	PRICE EX. VAT (EUR)
Fabric gr. 1	Canvas, Linara, Remix, Re-Wool	3-6 weeks	0.30 kg	73
Fabric gr. 2	Clay, Divina Melange, Duke, Fiord, Hallingdal, Loop, Ritz, Ruskin, Steelcut, Steelcut Trio, Tonus, Velvet, Zero	3-6 weeks	0.30 kg	90
Fabric gr. 3	Balder, Sisu, Skai Parotega Artificial leather*, Vidar	3-6 weeks	0.30 kg	124
Fabric gr. 4	Baru, Fuse, Gentle, Karakorum, Karandash	3-6 weeks	0.30 kg	204
Leather gr. 1	Tailor	3-6 weeks	0.30 kg	90
Leather gr. 2	Noble	3-6 weeks	0.30 kg	113
Leather gr. 3	Elmo soft leather	3-6 weeks	0.30 kg	124
Fabric COM	COM Fabric	3-6 weeks	0.30 kg	73
Leather COL	COL Leather	3-6 weeks	0.30 kg	90

*Skai Parotega Artificial leather:
This product contains 0,1-0,2% C,C'-azodi (formamide), CAS no. 123-77-3.

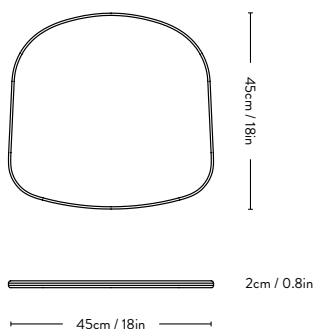
Material: HR foam with anti-slip backing with textile or leather upholstery.

Fabric usage: 0.5 meter based on a 140 cm roll.

Leather usage: 0.5 square meters.

COM must be approved by &Tradition to ensure suitability for upholstery.

Minimum order quantity of same variant: 4 pcs.



Rely Armchair Seat Pad Hee Welling 2021



Price group	Upholstery	Lead time	Weight	PRICE EX. VAT (EUR)
Fabric gr. 1	Canvas, Linara, Remix, Re-Wool	3-6 weeks	0.30 kg	73
Fabric gr. 2	Clay, Divina Melange, Duke, Fiord, Hallingdal, Loop, Ritz, Ruskin, Steelcut, Steelcut Trio, Tonus, Velvet, Zero	3-6 weeks	0.30 kg	90
Fabric gr. 3	Balder, Sisu, Skai Parotega Artificial leather*, Vidar	3-6 weeks	0.30 kg	124
Fabric gr. 4	Baru, Fuse, Gentle, Karakorum, Karandash	3-6 weeks	0.30 kg	204
Leather gr. 1	Tailor	3-6 weeks	0.30 kg	90
Leather gr. 2	Noble	3-6 weeks	0.30 kg	113
Leather gr. 3	Elmo soft leather	3-6 weeks	0.30 kg	124
Fabric COM	COM Fabric	3-6 weeks	0.30 kg	73
Leather COL	COL Leather	3-6 weeks	0.30 kg	90

*Skai Parotega Artificial leather:
This product contains 0,1-0,2% C,C'-azodi (formamide), CAS no. 123-77-3.

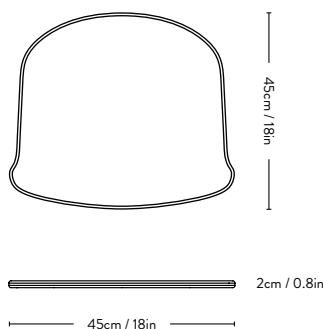
Material: HR foam with anti-slip backing with textile or leather upholstery.

Fabric usage: 0.5 meter based on a 140 cm roll.

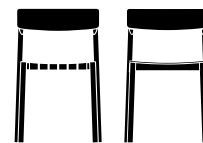
Leather usage: 0.5 square meters.

COM must be approved by &Tradition to ensure suitability for upholstery.

Minimum order quantity of same variant: 4 pcs.



Betty^{TK1 & TK2} Thau & Kallio 2019



Item code	Product	Webbing	Model	Colli qty.	Lead time	Weight	PRICE EX. VAT (EUR)
13010032	Maroon	Natural	TK1	2 pcs	Stock item	4.00 kg	420
13010094	Black	Natural	TK1	2 pcs	Stock item	4.00 kg	420
13010092	Oak	Natural	TK1	2 pcs	Stock item	4.00 kg	420
13011094	Black	Black	TK1	2 pcs	Stock item	4.00 kg	420
13020032	Maroon		TK2	2 pcs	Stock item	4.70 kg	363
13020094	Black		TK2	2 pcs	Stock item	4.70 kg	363
13020092	Oak		TK2	2 pcs	Stock item	4.70 kg	363
13010000	Betty linking system *must be specified with the order			1 pc	6-8 weeks	0.40 kg	68

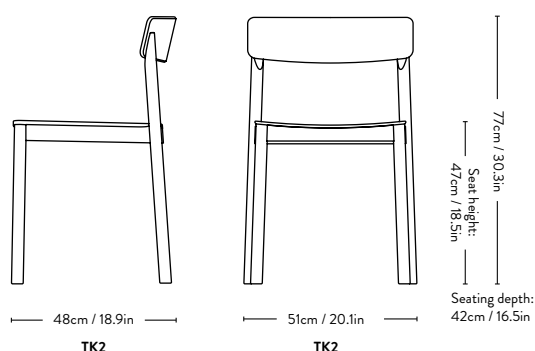
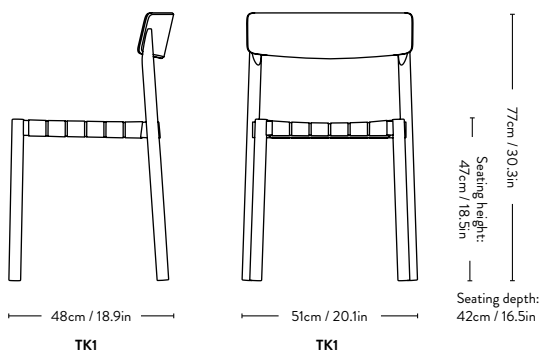
Frame Seat

TK1 Wood Natural or Black Linen Webbing
TK2 Wood Wood

Material: Solid wood and formpressed veneer with seat in natural or black linen webbing or form pressed veneer.

Wagner QuickClick felt gliders with interchangeable plastic inserts are installed as standard.

Stackable chair: 8 pcs



Betty^{TK3} Thau & Kallio 2019



Item code	Product	Model	Frame	Colli qty.	Lead time	Weight	PRICE EX. VAT (EUR)
13039525	Black Silk Leather	TK3	Black	2 pcs	Stock item	5.60 kg	533
13039520	Cognac Silk Leather	TK3	Oak	2 pcs	Stock item	5.60 kg	533

Price group	Upholstery	Model	Frame	Lead time	Weight	PRICE EX. VAT (EUR)
Fabric gr. 1	Canvas, Linara, Remix, Re-Wool	TK3	Black, Maroon	6-8 weeks	5.60 kg	454
		TK3	Oak	6-8 weeks	5.60 kg	454
Fabric gr. 2	Clay, Divina Melange, Duke, Fiord, Hallingdal, Loop, Ritz, Ruskin, Steelcut, Steelcut Trio, Velvet, Zero	TK3	Black, Maroon	6-8 weeks	5.60 kg	499
		TK3	Oak	6-8 weeks	5.60 kg	499
Fabric gr. 3	Balder, Sisu, Skai Parotega Artificial leather*, Vidar	TK3	Black, Maroon	6-8 weeks	5.60 kg	510
		TK3	Oak	6-8 weeks	5.60 kg	510
Fabric gr. 4	Atlas, Baru, Fuse, Karakorom, Karandash	TK3	Black, Maroon	6-8 weeks	5.60 kg	556
		TK3	Oak	6-8 weeks	5.60 kg	556
Leather gr. 1	Tailor	TK3	Black, Maroon	6-8 weeks	5.60 kg	533
		TK3	Oak	6-8 weeks	5.60 kg	533
Leather gr. 2	Noble	TK3	Black, Maroon	6-8 weeks	5.60 kg	556
		TK3	Oak	6-8 weeks	5.60 kg	556
Leather gr. 3	Elmo soft leather	TK3	Black, Maroon	6-8 weeks	5.60 kg	579
		TK3	Oak	6-8 weeks	5.60 kg	579
Fabric/ Leather COM	COM (Fabric & Leather)	TK3	Black, Maroon	6-8 weeks	5.60 kg	454
		TK3	Oak	6-8 weeks	5.60 kg	454
13010000	Betty linking system *must be specified with the order			6-8 weeks	0.40 kg	68

*Skai Parotega Artificial leather:
This product contains 0,1-0,2% C,C'-azodi (formamide), CAS no. 123-77-3.

Frame	Seat
TK3 Wood	Upholstered

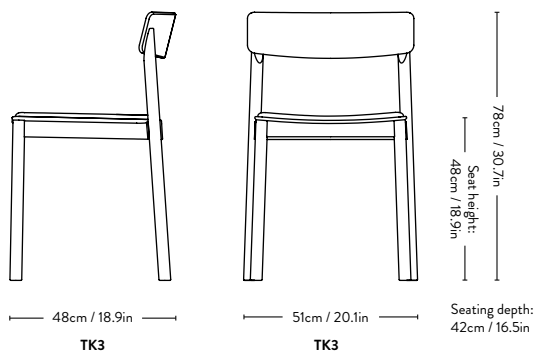
Material: Lacquered solid wood and formpressed veneer with upholstered HR foam seat.

Fabric usage: 0.36 meter based on a 140 cm roll.

Leather usage: 0.36 square meters.

COM must be approved by &Tradition to ensure suitability for upholstery.

Wagner QuickClick felt gliders with interchangeable plastic inserts are installed as standard.



Betty^{TK4 & TK5} Thau & Kallio 2019



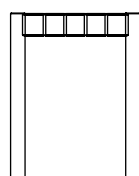
Item code	Product	Webbing	Model	Colli qty.	Lead time	Weight	PRICE EX. VAT (EUR)
13040032	Maroon	Natural	TK4	1 pc	Stock item	5.80 kg	624
13040094	Black	Natural	TK4	1 pc	Stock item	5.80 kg	624
13041094	Black	Black	TK4	1 pc	Stock item	5.80 kg	624
13040092	Oak	Natural	TK4	1 pc	Stock item	7.40 kg	624
13050032	Maroon	Natural	TK5	1 pc	Stock item	7.40 kg	738
13050094	Black	Natural	TK5	1 pc	Stock item	7.40 kg	738
13051094	Black	Black	TK5	1 pc	Stock item	7.40 kg	738
13050092	Oak	Natural	TK5	1 pc	Stock item	7.40 kg	738

Frame Seat

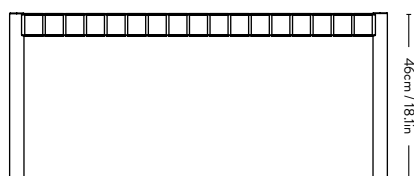
TK4 Wood Natural or Black Webbing
TK5 Wood Natural or Black Webbing

Material: Lacquered solid wood and formpressed veneer with seat in natural linen webbing.

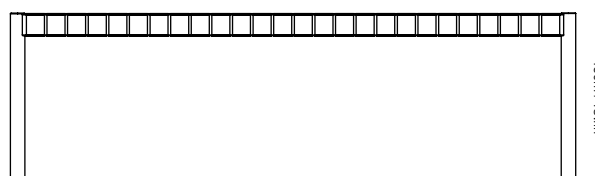
Felt gliders installed as standard.



36cm / 14.2in
TK4 & TK5

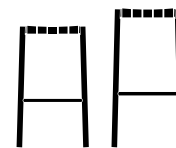


105cm / 41.3in
TK4



157cm / 61.8in
TK5

Betty^{TK7 & TK8} Thau & Kallio 2021



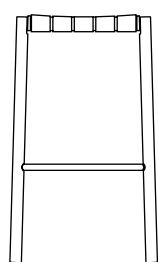
Item code	Product	Webbing	Model	Colli qty.	Lead time	Weight	PRICE EX. VAT (EUR)
13070032	Maroon	Natural	TK7	1 pc	Stock item	3.50 kg	454
13070094	Black	Natural	TK7	1 pc	Stock item	3.50 kg	454
13071094	Black	Black	TK7	1 pc	Stock item	3.50 kg	454
13070092	Oak	Natural	TK7	1 pc	Stock item	3.50 kg	454
13071199	TK7 w. Footrest Protector*		TK7	1 pc	6-8 weeks	3.60 kg	464
13080032	Maroon	Natural	TK8	1 pc	Stock item	3.50 kg	454
13080094	Black	Natural	TK8	1 pc	Stock item	3.50 kg	454
13081094	Black	Black	TK8	1 pc	Stock item	3.50 kg	454
13080092	Oak	Natural	TK8	1 pc	Stock item	3.50 kg	454
13081199	TK8 w. Footrest Protector*		TK8	1 pc	6-8 weeks	3.60 kg	464
13010005	Footrest protector			1 pc	Stock item	0.10 kg	33

Frame	Seat
TK7 Wood	Natural or Black Webbing
TK8 Wood	Natural or Black Webbing

Material: Lacquered solid wood with seat in natural linen webbing. The footrest protector is from steel.

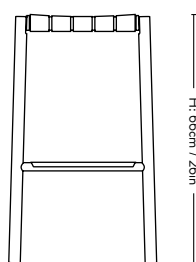
Felt gliders installed as standard.

*Please specify stool colour with the order (Maroon, Black, Black/Black, Oak).



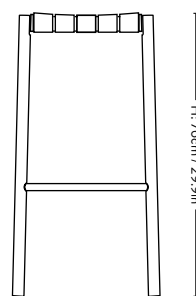
W: 39cm / 15.4in

TK7



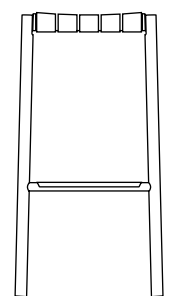
D: 39cm / 15.4in

TK7



W: 40cm / 15.7in

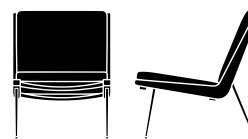
TK8



D: 40cm / 15.7in

TK8

Boomerang^{HM1} Hvidt & Mølgaard 1956



Item no.	Upholstery	Base	Finish	Model	Lead time	Weight	PRICE EX. VAT (EUR)
14019101	Hallingdal 130	Brass	Soaped Oak	HM1	Stock item	8.50 kg	2.271
14019201		Brass	Oiled Oak				2.271
14019601		Brass	Oiled Walnut				2.498
14019301		Stainless Steel NEW	Soaped Oak				2.271
14019401		Stainless Steel NEW	Oiled Oak				2.271
14019701		Stainless Steel NEW	Oiled Walnut				2.498
14019102	Loop Marine K5042/40	Brass	Soaped Oak	HM1	Stock item	8.50 kg	2.271
14019202		Brass	Oiled Oak				2.271
14019602		Brass	Oiled Walnut				2.498
14019302		Stainless Steel NEW	Soaped Oak				2.271
14019402		Stainless Steel NEW	Oiled Oak				2.271
14019702		Stainless Steel NEW	Oiled Walnut				2.498
14019103	Loop Cream K5042/33	Brass	Soaped Oak	HM1	Stock item	8.50 kg	2.271
14019203		Brass	Oiled Oak				2.271
14019603		Brass	Oiled Walnut				2.498
14019303		Stainless Steel NEW	Soaped Oak				2.271
14019403		Stainless Steel NEW	Oiled Oak				2.271
14019703		Stainless Steel NEW	Oiled Walnut				2.498
14019104	Duke 004	Brass	Soaped Oak	HM1	Stock item	8.50 kg	2.271
14019204		Brass	Oiled Oak				2.271
14019604		Brass	Oiled Walnut				2.498
14019304		Stainless Steel NEW	Soaped Oak				2.271
14019404		Stainless Steel NEW	Oiled Oak				2.271
14019704		Stainless Steel NEW	Oiled Walnut				2.498
14019105	Karakorum 003	Brass	Soaped Oak	HM1	Stock item	8.50 kg	2.498
14019205		Brass	Oiled Oak				2.498
14019605		Brass	Oiled Walnut				2.725
14019305		Stainless Steel NEW	Soaped Oak				2.498
14019405		Stainless Steel NEW	Oiled Oak				2.498
14019705		Stainless Steel NEW	Oiled Walnut				2.725
14019108	Serafino Lino	Brass	Soaped Oak	HM1	Stock item	8.50 kg	2.498
14019208		Brass	Oiled Oak				2.498
14019608		Brass	Oiled Walnut				2.725
14019308		Stainless Steel NEW	Soaped Oak				2.498
14019408		Stainless Steel NEW	Oiled Oak				2.498
14019708		Stainless Steel NEW	Oiled Walnut				2.725

Frame Finish

Wood	Oiled Oak, Soaped Oak, Oiled Walnut
Metal	Brass, Stainless Steel

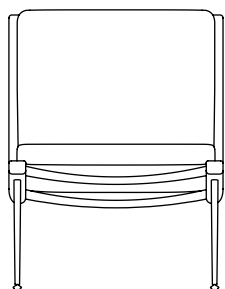
Material: Wood, HR foam, polyester wadding, fabric upholstery, brass, and stainless steel.

Fabric usage: 2 meters based on a 140cm roll.

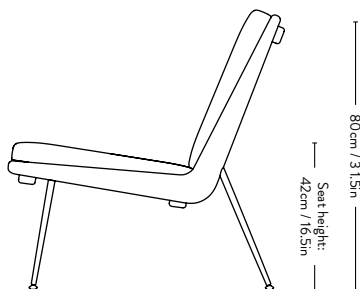
COM must be approved by &Tradition to ensure suitability for upholstery.

HM1 is not available in leather.

Plastic gliders are installed as standard.



61cm / 24in
HM1

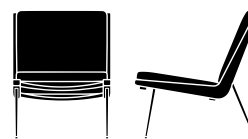


69cm / 27.2in
HM1

80cm / 31.5in
Seat height:
42cm / 16.5in

Seating depth:
50cm / 19.7

Boomerang^{HM1} Hvidt & Mølgaard 1956



	Upholstery	Base	Finish	Model	Lead time	Weight	PRICE EX. VAT (EUR)
Fabric gr. 1	Canvas, Linara, Maple, Remix, Re-Wool	Brass	Soaped Oak	HM1	6-8 weeks	8.50 kg	2.498
		Brass	Oiled Oak				2.498
		Brass	Oiled Walnut				2.725
		Stainless Steel NEW	Soaped Oak				2.498
		Stainless Steel NEW	Oiled Oak				2.498
		Stainless Steel NEW	Oiled Walnut				2.725
Fabric gr. 2	Divina Melange, Duke, Fiord, Hallingdal, Loop, Ritz, Ruskin, Steelcut, Steelcut Trio, Tonus, Velvet, Zero	Brass	Soaped Oak	HM1	6-8 weeks	8.50 kg	2.611
		Brass	Oiled Oak				2.611
		Brass	Oiled Walnut				2.838
		Stainless Steel NEW	Soaped Oak				2.611
		Stainless Steel NEW	Oiled Oak				2.611
		Stainless Steel NEW	Oiled Walnut				2.838
Fabric gr. 3	Balder, Harald, Sisu, Skai Parotega Artificial leather*, Sunniva, Vidar	Brass	Soaped Oak	HM1	6-8 weeks	8.50 kg	2.725
		Brass	Oiled Oak				2.725
		Brass	Oiled Walnut				2.952
		Stainless Steel NEW	Soaped Oak				2.725
		Stainless Steel NEW	Oiled Oak				2.725
		Stainless Steel NEW	Oiled Walnut				2.952
Fabric gr. 4	Atlas, Baru, Fuse, Karakorum, Karandash, Nouvelles, Reflex, Serafino	Brass	Soaped Oak	HM1	6-8 weeks	8.50 kg	2.838
		Brass	Oiled Oak				2.838
		Brass	Oiled Walnut				3.066
		Stainless Steel NEW	Soaped Oak				2.838
		Stainless Steel NEW	Oiled Oak				2.838
		Stainless Steel NEW	Oiled Walnut				3.066
Fabric COM	COM Fabric	Brass	Soaped Oak	HM1	6-8 weeks	8.50 kg	2.498
		Brass	Oiled Oak				2.498
		Brass	Oiled Walnut				2.725
		Stainless Steel NEW	Soaped Oak				2.498
		Stainless Steel NEW	Oiled Oak				2.498
		Stainless Steel NEW	Oiled Walnut				2.725

*Skai Parotega Artificial leather:

This product contains 0,1-0,2% C,C'-azodi (formamide), CAS no. 123-77-3.

Frame	Finish
Wood	Oiled Oak, Soaped Oak, Oiled Walnut
Metal	Brass, Stainless Steel

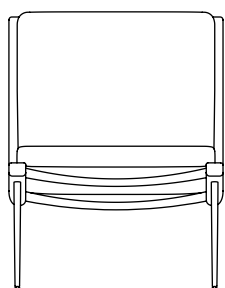
Material: Wood, HR foam, polyester wadding, fabric upholstery, brass, and stainless steel.

Fabric usage: 2 meters based on a 140cm roll.

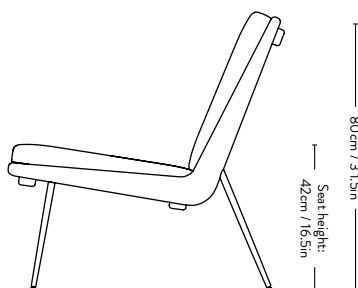
COM must be approved by &Tradition to ensure suitability for upholstery.

HM1 is not available in leather.

Plastic gliders are installed as standard.



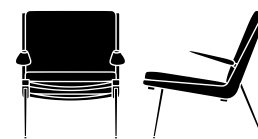
61cm / 24in
HM1



69cm / 27.2in
HM1

80cm / 31.5in
Seat height:
42cm / 16.5in
Seating depth:
50cm / 19.7

Boomerang^{HM2} Hvidt & Mølgaard 1956



Item no.	Upholstery	Base	Finish	Model	Lead time	Weight	PRICE EX. VAT (EUR)
14029101	Hallingdal 130	Brass	Soaped Oak	HM2	Stock item	8.50 kg	2.498
14029201		Brass	Oiled Oak				2.498
14029601		Brass	Oiled Walnut				2.838
14029301		Stainless Steel NEW	Soaped Oak				2.498
14029401		Stainless Steel NEW	Oiled Oak				2.498
14029701		Stainless Steel NEW	Oiled Walnut				2.838
14029102	Loop Marine K5042/40	Brass	Soaped Oak	HM2	Stock item	8.50 kg	2.498
14029202		Brass	Oiled Oak				2.498
14029602		Brass	Oiled Walnut				2.838
14029302		Stainless Steel NEW	Soaped Oak				2.498
14029402		Stainless Steel NEW	Oiled Oak				2.498
14029702		Stainless Steel NEW	Oiled Walnut				2.838
14029103	Loop Cream K5042/33	Brass	Soaped Oak	HM2	Stock item	8.50 kg	2.498
14029203		Brass	Oiled Oak				2.498
14029603		Brass	Oiled Walnut				2.838
14029303		Stainless Steel NEW	Soaped Oak				2.498
14029403		Stainless Steel NEW	Oiled Oak				2.498
14029703		Stainless Steel NEW	Oiled Walnut				2.838
14029104	Duke 004	Brass	Soaped Oak	HM2	Stock item	8.50 kg	2.498
14029204		Brass	Oiled Oak				2.498
14029604		Brass	Oiled Walnut				2.838
14029304		Stainless Steel NEW	Soaped Oak				2.498
14029404		Stainless Steel NEW	Oiled Oak				2.498
14029704		Stainless Steel NEW	Oiled Walnut				2.838
14029105	Karakorum 003	Brass	Soaped Oak	HM2	Stock item	8.50 kg	2.725
14029205		Brass	Oiled Oak				2.725
14029605		Brass	Oiled Walnut				3.066
14029305		Stainless Steel NEW	Soaped Oak				2.725
14029405		Stainless Steel NEW	Oiled Oak				2.725
14029705		Stainless Steel NEW	Oiled Walnut				3.066
14029108	Serafino Lino	Brass	Soaped Oak	HM2	Stock item	8.50 kg	2.725
14029208		Brass	Oiled Oak				2.725
14029608		Brass	Oiled Walnut				3.066
14029308		Stainless Steel NEW	Soaped Oak				2.725
14029408		Stainless Steel NEW	Oiled Oak				2.725
14029708		Stainless Steel NEW	Oiled Walnut				3.066

Frame Finish

Wood	Oiled Oak, Soaped Oak, Oiled Walnut
Metal	Brass, Stainless Steel

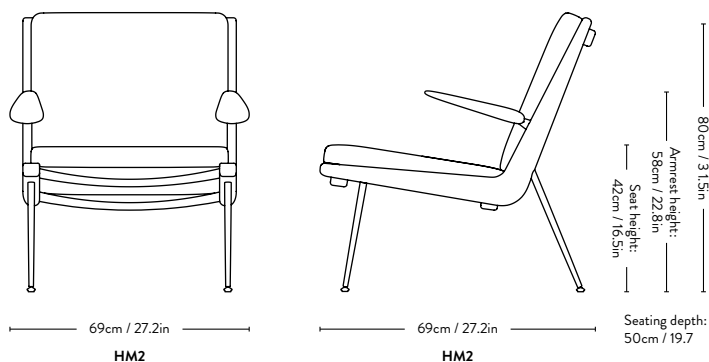
Material: Wood, HR foam, polyester wadding, fabric upholstery, brass, and stainless steel.

Fabric usage: 2 meters based on a 140cm roll.

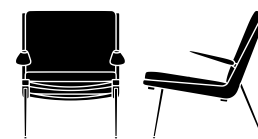
COM must be approved by &Tradition to ensure suitability for upholstery.

HM2 is not available in leather.

Plastic gliders are installed as standard.



Boomerang^{HM2} Hvidt & Mølgaard 1956



	Upholstery	Base	Finish	Model	Lead time	Weight	PRICE EX. VAT (EUR)
Fabric gr. 1	Canvas, Linara, Maple, Remix, Re-Wool	Brass	Soaped Oak	HM2	6-8 weeks	8.50 kg	2.725
		Brass	Oiled Oak				2.725
		Brass	Oiled Walnut				3.066
		Stainless Steel NEW	Soaped Oak				2.725
		Stainless Steel NEW	Oiled Oak				2.725
		Stainless Steel NEW	Oiled Walnut				3.066
Fabric gr. 2	Divina Melange, Duke, Fiord, Hallingdal, Loop, Ritz, Ruskin, Steelcut, Steelcut Trio, Tonus, Velvet, Zero	Brass	Soaped Oak	HM2	6-8 weeks	8.50 kg	2.838
		Brass	Oiled Oak				2.838
		Brass	Oiled Walnut				3.179
		Stainless Steel NEW	Soaped Oak				2.838
		Stainless Steel NEW	Oiled Oak				2.838
		Stainless Steel NEW	Oiled Walnut				3.179
Fabric gr. 3	Balder, Harald, Sisu, Skai Parotega Artificial leather*, Sunniva, Vidar	Brass	Soaped Oak	HM2	6-8 weeks	8.50 kg	2.952
		Brass	Oiled Oak				2.952
		Brass	Oiled Walnut				3.293
		Stainless Steel NEW	Soaped Oak				2.952
		Stainless Steel NEW	Oiled Oak				2.952
		Stainless Steel NEW	Oiled Walnut				3.293
Fabric gr. 4	Atlas, Baru, Fuse, Karakorum, Karandash, Nouvelles, Reflex, Serafino	Brass	Soaped Oak	HM2	6-8 weeks	8.50 kg	3.066
		Brass	Oiled Oak				3.066
		Brass	Oiled Walnut				3.406
		Stainless Steel NEW	Soaped Oak				3.066
		Stainless Steel NEW	Oiled Oak				3.066
		Stainless Steel NEW	Oiled Walnut				3.406
Fabric COM	COM Fabric	Brass	Soaped Oak	HM2	6-8 weeks	8.50 kg	2.725
		Brass	Oiled Oak				2.725
		Brass	Oiled Walnut				3.066
		Stainless Steel NEW	Soaped Oak				2.725
		Stainless Steel NEW	Oiled Oak				2.725
		Stainless Steel NEW	Oiled Walnut				3.066

*Skai Parotega Artificial leather:
This product contains 0,1-0,2 % C,C'-azodi (formamide), CAS no. 123-77-3.

Frame	Finish
Wood	Oiled Oak, Soaped Oak, Oiled Walnut
Metal	Brass, Stainless Steel

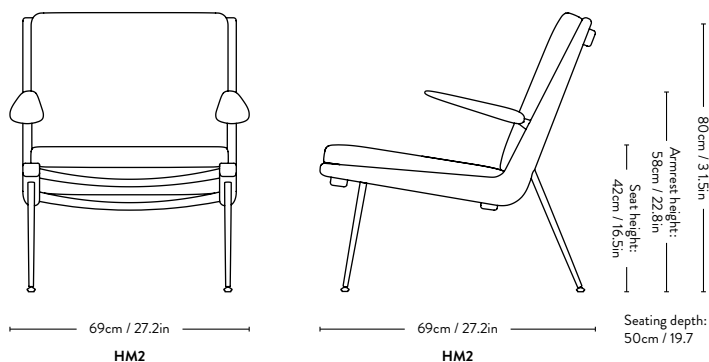
Material: Wood, HR foam, polyester wadding, fabric upholstery, brass, and stainless steel.

Fabric usage: 2 meters based on a 140cm roll.

COM must be approved by &Tradition to ensure suitability for upholstery.

HM2 is not available in leather.

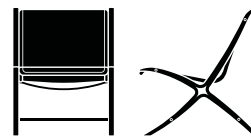
Plastic gliders are installed as standard.



NEW

X HM10

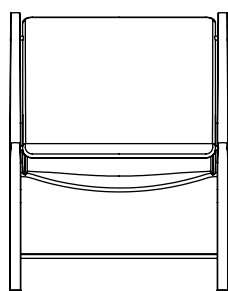
Hvidt & Mølgaard 1958



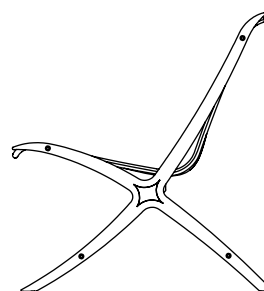
Item code	Product	Model	Colli qty.	Lead time	Weight	PRICE EX. VAT (EUR)
15120092	Lacquered oak w. walnut insert and natural rattan	HM10	1 pc	Stock item	6.27 kg	1.135

Material: Lacquered oak veneer w. solid walnut inserts and natural rattan seat

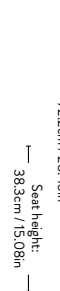
Wagner QuickClick plastic gliders with interchangeable felt inserts are installed as standard.



56.6cm / 22.28in



67.3cm / 26.5in

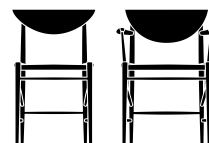


72.2cm / 28.43in
Seat height:
38.3cm / 15.08in

Seating depth:
44.5cm / 17.5in

HM10

Drawn^{HM3 & HM4} Hvidt & Mølgaard 1956



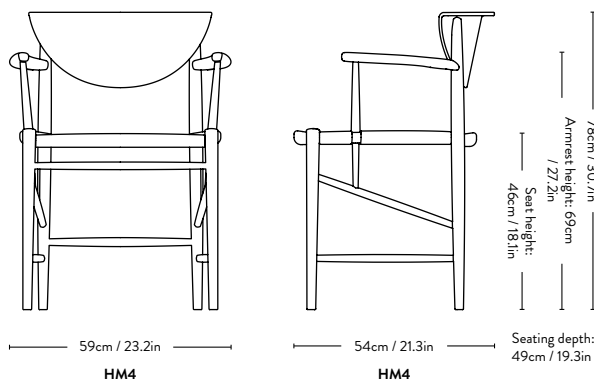
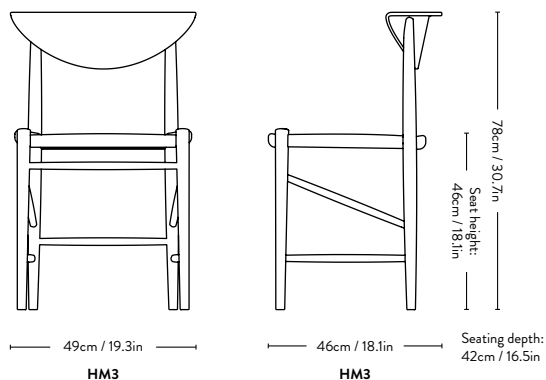
Item code	Upholstery	Model	Colli qty.	Lead time	Weight	PRICE EX. VAT (EUR)
14030088	Soaped Oak w. Natural Paper Cord	HM3	1 pc	Stock item	4.50 kg	681
14030092	Oiled Oak w. Natural Paper Cord	HM3	1 pc	Stock item	4.50 kg	681
14030094	Black Lacquered Oak w. Natural Paper Cord	HM3	1 pc	Stock item	4.30 kg	681
14030096	Walnut w. Natural Paper Cord	HM3	1 pc	Stock item	4.50 kg	738
14040088	Soaped Oak w. Natural Paper Cord	HM4	1 pc	Stock item	6.00 kg	885
14040092	Oiled Oak w. Natural Paper Cord	HM4	1 pc	Stock item	6.00 kg	885
14040094	Black Lacquered Oak with Natural Paper Cord	HM4	1 pc	Stock item	5.70 kg	885
14040096	Walnut w. Natural Paper Cord	HM4	1 pc	Stock item	6.00 kg	999

Item code	Upholstery	Model	Colli qty.	Lead time	Weight	PRICE EX. VAT (EUR)
14100107	Drawn Seat Pad w. Black Prescott Leather	HM3	1 pc	Stock item	0.60 kg	85
14100207	Drawn Seat Pad w. Cognac Prescott Leather	HM3	1 pc	Stock item	0.60 kg	85
14100307	Drawn Seat Pad w. Black Prescott Leather	HM4	1 pc	Stock item	0.70 kg	102
14100407	Drawn Seat Pad w. Cognac Prescott Leather	HM4	1 pc	Stock item	0.70 kg	102

Frame	Seat
Soaped Oak	Natural Paper Cord
Oiled Oak	
Black Lacquered Oak	
Oiled Walnut	

Material: Solid wood, formpressed wood veneer & paper cord.

Wagner QuickClick felt gliders with interchangeable plastic inserts are installed as standard.



Little Petra ^{VB1} Viggo Boesen 1938



Item no.	Upholstery	Model	Base	Lead time	Weight	PRICE EX. VAT (EUR)
69113201	Hallingdal 130	VB1	Oak	1-2 weeks	20.00 kg	2.271
69113202	Hallingdal 130	VB1	Walnut	1-2 weeks	20.00 kg	2.271
69113203	Karakorum 003	VB1	Oak	1-2 weeks	20.00 kg	2.838
69113204	Karakorum 003	VB1	Walnut	1-2 weeks	20.00 kg	2.838
69113205	Sheepskin, 17mm Moonlight	VB1	Oak	1-2 weeks	20.00 kg	3.860
69113206	Sheepskin, 17mm Moonlight	VB1	Walnut	1-2 weeks	20.00 kg	3.860
69113207	Sheepskin, 17mm Sahara	VB1	Oak	1-2 weeks	20.00 kg	3.860
69113208	Sheepskin, 17mm Sahara	VB1	Walnut	1-2 weeks	20.00 kg	3.860
69113209	Sheepskin, 50mm Honey	VB1	Oak	1-2 weeks	20.00 kg	3.860
69113210	Sheepskin, 50mm Honey	VB1	Walnut	1-2 weeks	20.00 kg	3.860

Item no.	Upholstery	Model	Base	Lead time	Weight	PRICE EX. VAT (EUR)
Fabric gr. 2	Fiord, Hallingdal, Loop, Tonus, Zero	VB1	Oak	6-8 weeks	20.00 kg	2.498
		VB1	Walnut	6-8 weeks	20.00 kg	2.498
Fabric gr. 3	Sisu, Sunniva, Vidar	VB1	Oak	6-8 weeks	20.00 kg	2.725
		VB1	Walnut	6-8 weeks	20.00 kg	2.725
Fabric gr. 4	Atlas, Baru, Karakorum, Karandash, Serafino	VB1	Oak	6-8 weeks	20.00 kg	3.293
		VB1	Walnut	6-8 weeks	20.00 kg	3.293
Sheepskin MTO	Sheepskin 17mm, Sheepskin 50mm	VB1	Oak	6-8 weeks	20.00 kg	4.542
		VB1	Walnut	6-8 weeks	20.00 kg	4.542
Fabric COM	COM Fabric	VB1	Oak	6-8 weeks	20.00 kg	2.498
		VB1	Walnut	6-8 weeks	20.00 kg	2.498

Base Finish

Solid Oak White Oiled Oak
Solid Walnut Oiled Walnut

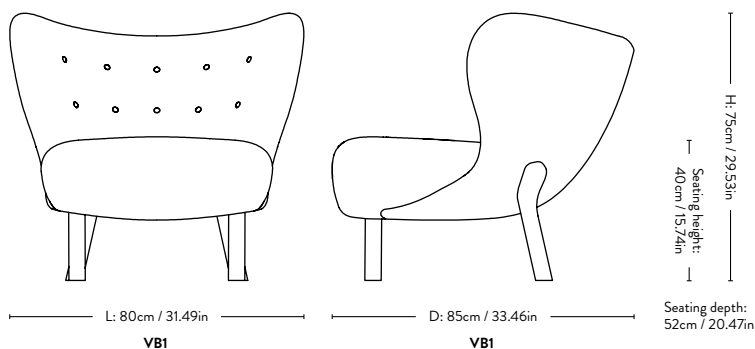
Material: Wood, HR foam, polyester wadding, fabric upholstery.

Fabric usage: 3.8 meters based on a 140cm roll.

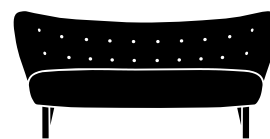
COM must be approved by &Tradition to ensure suitability for upholstery.

Little Petra VB1 is not available in leather.

Felt gliders installed as standard.



Little Petra ^{VB2} Viggo Boesen 1938



Item no.	Upholstery	Model	Base	Lead time	Weight	PRICE EX. VAT (EUR)
69113406	Karakorum 003	VB2	Oak	1-2 weeks	35.00 kg	4.201
69113405	Karakorum 003	VB2	Walnut	1-2 weeks	35.00 kg	4.201
69113402	Sheepskin Moonlight 17mm	VB2	Oak	1-2 weeks	35.00 kg	5.677
69113401	Sheepskin Moonlight 17mm	VB2	Walnut	1-2 weeks	35.00 kg	5.677
69113404	Sheepskin Sahara 17mm	VB2	Oak	1-2 weeks	35.00 kg	5.677
69113403	Sheepskin Sahara 17mm	VB2	Walnut	1-2 weeks	35.00 kg	5.677

Item no.	Upholstery	Model	Base	Lead time	Weight	PRICE EX. VAT (EUR)
Fabric gr. 2	Fiord, Hallingdal, Loop, Tonus, Zero	VB2	Oak	6-8 weeks	35.00 kg	4.144
		VB2	Walnut	6-8 weeks	35.00 kg	4.144
Fabric gr. 3	Sisu, Sunniva, Vidar	VB2	Oak	6-8 weeks	35.00 kg	4.485
		VB2	Walnut	6-8 weeks	35.00 kg	4.485
Fabric gr. 4	Atlas, Baru, Karakorum, Karandash, Serafino	VB2	Oak	6-8 weeks	35.00 kg	4.996
		VB2	Walnut	6-8 weeks	35.00 kg	4.996
Sheepskin MTO	Sheepskin 17mm	VB2	Oak	6-8 weeks	35.00 kg	6.245
		VB2	Walnut	6-8 weeks	35.00 kg	6.245
Fabric COM	COM Fabric	VB2	Oak	6-8 weeks	35.00 kg	4.144
		VB2	Walnut	6-8 weeks	35.00 kg	4.144

Base	Finish
------	--------

Solid Oak	White Oiled Oak
Solid Walnut	Oiled Walnut

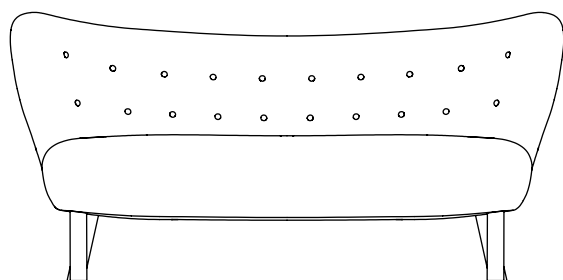
Material: Wood, HR foam, polyester wadding, fabric upholstery.

Fabric usage: 5.6 meters based on a 140cm roll.

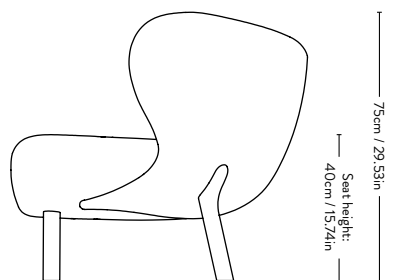
COM must be approved by &Tradition to ensure suitability for upholstery.

Little Petra VB2 is not available in leather.

Felt gliders installed as standard.



150cm / 59.06in
VB2



80cm / 31.49in
75cm / 29.53in
40cm / 15.74in
Seating depth: 55cm / 21.65in
VB2

Pouf^{ATD1} &Tradition 2020



Item no.	Upholstery	Model	Base	Colli qty.	Lead time	Weight	PRICE EX. VAT (EUR)
Fabric gr. 2	Fiord, Hallingdal, Loop, Tonus, Zero	ATD1	Oak	1 pc	6-8 weeks	5.20 kg	852
		ATD1	Walnut	1 pc	6-8 weeks	5.20 kg	852
Fabric gr. 3	Sisu, Sunniva, Vidar	ATD1	Oak	1 pc	6-8 weeks	5.20 kg	886
		ATD1	Walnut	1 pc	6-8 weeks	5.20 kg	886
Fabric gr. 4	Atlas, Baru, Karakorum, Karandash, Serafino	ATD1	Oak	1 pc	6-8 weeks	5.20 kg	908
		ATD1	Walnut	1 pc	6-8 weeks	5.20 kg	908
Sheepskin MTO	Sheepskin 17mm, Sheepskin 50mm	ATD1	Oak	1 pc	6-8 weeks	5.20 kg	1.192
		ATD1	Walnut	1 pc	6-8 weeks	5.20 kg	1.192
Fabric COM	COM Fabric	ATD1	Oak	1 pc	6-8 weeks	5.20 kg	852
		ATD1	Walnut	1 pc	6-8 weeks	5.20 kg	852

Base Finish

Solid Oak	White Oiled Oak
Solid Walnut	Oiled Walnut

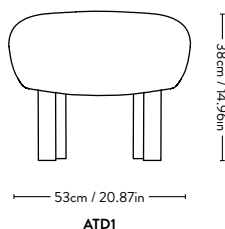
Material: Wood, HR foam, polyester wadding, fabric upholstery.

Fabric usage: 1 meter based on a 140cm roll.

COM must be approved by &Tradition to ensure suitability for upholstery.

Pouf ATD1 is not available in leather.

Felt gliders installed as standard.



Little Petra & Pouf ^{VB1 & ATD1}

Viggo Boesen

1938



Item no.	Upholstery	Model	Base	Lead time	Weight	PRICE EX. VAT (EUR)
69112910	Hallingdal 130	VB1 & ATD1	Oak	6-8 weeks	25.20 kg	3.122
69112911	Hallingdal 130	VB1 & ATD1	Walnut	6-8 weeks	25.20 kg	3.122
69112912	Karakorum 003	VB1 & ATD1	Oak	6-8 weeks	25.20 kg	3.747
69112913	Karakorum 003	VB1 & ATD1	Walnut	6-8 weeks	25.20 kg	3.747
69112914	Sheepskin, 17mm Moonlight	VB1 & ATD1	Oak	6-8 weeks	25.20 kg	5.053
69112915	Sheepskin, 17mm Moonlight	VB1 & ATD1	Walnut	6-8 weeks	25.20 kg	5.053
69112916	Sheepskin, 17mm Sahara	VB1 & ATD1	Oak	6-8 weeks	25.20 kg	5.053
69112917	Sheepskin, 17mm Sahara	VB1 & ATD1	Walnut	6-8 weeks	25.20 kg	5.053
69112918	Sheepskin, 50mm Honey	VB1 & ATD1	Oak	6-8 weeks	25.20 kg	5.053
69112919	Sheepskin, 50mm Honey	VB1 & ATD1	Walnut	6-8 weeks	25.20 kg	5.053

Item no.	Upholstery	Model	Base	Lead time	Weight	PRICE EX. VAT (EUR)
Fabric gr. 2	Fiord, Hallingdal, Loop, Tonus, Zero	VB1 & ATD1	Oak	6-8 weeks	25.20 kg	3.349
		VB1 & ATD1	Walnut	6-8 weeks	25.20 kg	3.349
Fabric gr. 3	Sisu, Sunniva, Vidar	VB1 & ATD1	Oak	6-8 weeks	25.20 kg	3.611
		VB1 & ATD1	Walnut	6-8 weeks	25.20 kg	3.611
Fabric gr. 4	Atlas, Baru, Karakorum, Karandash, Serafino	VB1 & ATD1	Oak	6-8 weeks	25.20 kg	4.201
		VB1 & ATD1	Walnut	6-8 weeks	25.20 kg	4.201
Sheepskin MTO	Sheepskin 17mm, Sheepskin 50mm	VB1 & ATD1	Oak	6-8 weeks	25.20 kg	5.734
		VB1 & ATD1	Walnut	6-8 weeks	25.20 kg	5.734
Fabric COM	COM Fabric	VB1 & ATD1	Oak	6-8 weeks	25.20 kg	3.349
		VB1 & ATD1	Walnut	6-8 weeks	25.20 kg	3.349

Base	Finish
Solid Oak	White Oiled Oak
Solid Walnut	Oiled Walnut

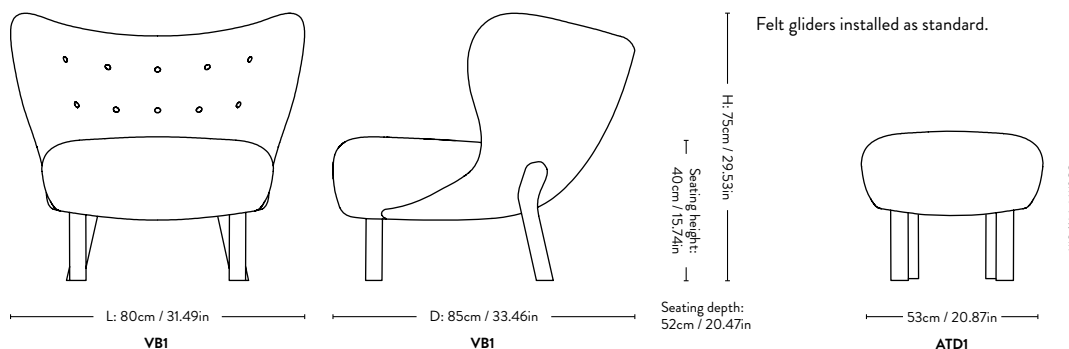
Material: Wood, HR foam, polyester wadding, fabric upholstery.

Fabric usage: 4.8 meters based on a 140cm roll.

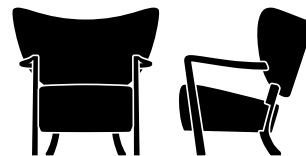
COM must be approved by &Tradition to ensure suitability for upholstery.

Little Petra VB1 & Pouf ATD1 are not available in leather.

Felt gliders installed as standard.



Wulff ^{ATD2} &Tradition 1938 / 2021



Item no.	Upholstery	Model	Base	Lead time	Weight	PRICE EX. VAT (EUR)
41103201	Hallingdal 376	ATD2	Oak	2-4 weeks	15.00 kg	2.384
41104201		ATD2	Walnut	2-4 weeks	15.00 kg	2.611
41103202	Karakorum 003	ATD2	Oak	2-4 weeks	15.00 kg	2.952
41104202		ATD2	Walnut	2-4 weeks	15.00 kg	3.179
41103203	Karandash 005	ATD2	Oak	2-4 weeks	15.00 kg	2.952
41104203		ATD2	Walnut	2-4 weeks	15.00 kg	3.179
41103204	Sheepskin 17mm, Moonlight	ATD2	Oak	2-4 weeks	15.00 kg	3.974
41104204		ATD2	Walnut	2-4 weeks	15.00 kg	4.201
41103205	Sheepskin 50mm, Honey	ATD2	Oak	2-4 weeks	15.00 kg	3.974
41104205		ATD2	Walnut	2-4 weeks	15.00 kg	4.201

Item no.	Upholstery	Model	Base	Lead time	Weight	PRICE EX. VAT (EUR)
Fabric gr. 1	Canvas, Remix, Re-Wool	ATD2	Oak	6-8 weeks	15.00 kg	2.498
		ATD2	Walnut	6-8 weeks	15.00 kg	2.952
Fabric gr. 2	Fiord, Hallingdal, Loop, Tonus, Zero	ATD2	Oak	6-8 weeks	15.00 kg	2.611
		ATD2	Walnut	6-8 weeks	15.00 kg	3.066
Fabric gr. 3	Sisu, Sunniva, Vidar	ATD2	Oak	6-8 weeks	15.00 kg	2.838
		ATD2	Walnut	6-8 weeks	15.00 kg	3.293
Fabric gr. 4	Atlas, Baru, Karakorum, Karandash, Serafino	ATD2	Oak	6-8 weeks	15.00 kg	3.406
		ATD2	Walnut	6-8 weeks	15.00 kg	3.860
Sheepskin MTO	Sheepskin 17mm, Sheepskin 50mm	ATD2	Oak	6-8 weeks	15.00 kg	4.536
		ATD2	Walnut	6-8 weeks	15.00 kg	4.990
Fabric COM	COM Fabric	ATD2	Oak	6-8 weeks	15.00 kg	2.498
		ATD2	Walnut	6-8 weeks	15.00 kg	2.952

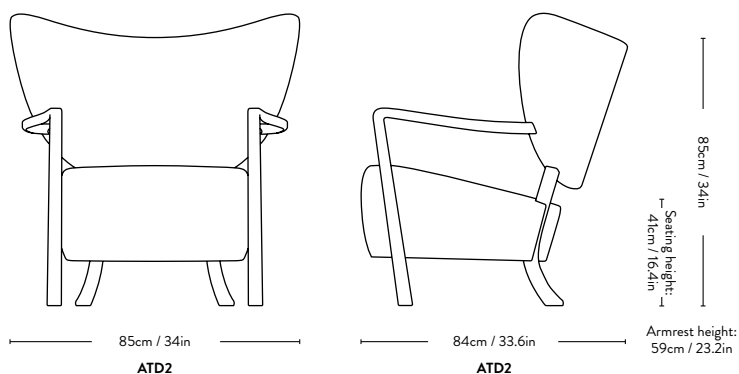
Material: Oiled wood, HR foam, polyester wadding, fabric upholstery.

Fabric usage: 2.5 meters based on a 140cm roll.

COM must be approved by &Tradition to ensure suitability for upholstery.

Wulff ATD2 is not available in leather.

Felt gliders installed as standard.



Wulff ^{ATD3} &Tradition 2022



	Upholstery	Model	Base	Lead time	Weight	PRICE EX. VAT (EUR)
Fabric gr. 1	Canvas, Remix, Re-Wool	ATD3	Oak	6-8 weeks	6.70 kg	1.021
		ATD3	Walnut	6-8 weeks	6.70 kg	1.078
Fabric gr. 2	Fiord, Hallingdal, Loop, Tonus, Zero	ATD3	Oak	6-8 weeks	6.70 kg	1.078
		ATD3	Walnut	6-8 weeks	6.70 kg	1.135
Fabric gr. 3	Sisu, Sunniva, Vidar	ATD3	Oak	6-8 weeks	6.70 kg	1.192
		ATD3	Walnut	6-8 weeks	6.70 kg	1.249
Fabric gr. 4	Atlas, Baru, Karakorum, Karandash, Serafino	ATD3	Oak	6-8 weeks	6.70 kg	1.362
		ATD3	Walnut	6-8 weeks	6.70 kg	1.419
Sheepskin MTO	Sheepskin 17mm, Sheepskin 50mm	ATD3	Oak	6-8 weeks	6.70 kg	1.532
		ATD3	Walnut	6-8 weeks	6.70 kg	1.589
Fabric COM	COM Fabric	ATD3	Oak	6-8 weeks	6.70 kg	1.021
		ATD3	Walnut	6-8 weeks	6.70 kg	1.078

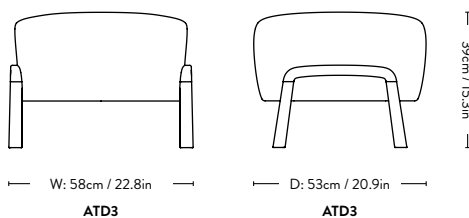
Material: Oiled wood, HR foam, polyester wadding, fabric upholstery.

Fabric usage: 1.3 meters based on a 140cm roll.

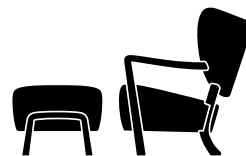
COM must be approved by &Tradition to ensure suitability for upholstery.

Wulff ATD3 is not available in leather.

Felt gliders installed as standard.



Wulff ATD2 & ATD3 &Tradition 2022



Item no.	Upholstery	Model	Base	Lead time	Weight	PRICE EX. VAT (EUR)
41105201	Hallingdal 376	ATD2 & ATD3	Oak	6-8 weeks	21.70 kg	3.122
41106201		ATD2 & ATD3	Walnut	6-8 weeks	21.70 kg	3.406
41105202	Karakorum 003	ATD2 & ATD3	Oak	6-8 weeks	21.70 kg	3.974
41106202		ATD2 & ATD3	Walnut	6-8 weeks	21.70 kg	4.258
41105203	Karandash 005	ATD2 & ATD3	Oak	6-8 weeks	21.70 kg	3.974
41106203		ATD2 & ATD3	Walnut	6-8 weeks	21.70 kg	4.258
41105204	Sheepskin Moonlight 17mm	ATD2 & ATD3	Oak	6-8 weeks	21.70 kg	5.166
41106204		ATD2 & ATD3	Walnut	6-8 weeks	21.70 kg	5.450
41105205	Sheepskin Moonlight 50mm	ATD2 & ATD3	Oak	6-8 weeks	21.70 kg	5.166
41106205		ATD2 & ATD3	Walnut	6-8 weeks	21.70 kg	5.450

	Upholstery	Model	Base	Lead time	Weight	PRICE EX. VAT (EUR)
Fabric gr. 1	Canvas, Remix, Re-Wool	ATD2 & ATD3	Oak	6-8 weeks	21.70 kg	3.179
		ATD2 & ATD3	Walnut	6-8 weeks	21.70 kg	3.690
Fabric gr. 2	Fiord, Hallingdal, Loop, Tonus, Zero	ATD2 & ATD3	Oak	6-8 weeks	21.70 kg	3.349
		ATD2 & ATD3	Walnut	6-8 weeks	21.70 kg	3.860
Fabric gr. 3	Sisu, Sunniva, Vidar	ATD2 & ATD3	Oak	6-8 weeks	21.70 kg	3.690
		ATD2 & ATD3	Walnut	6-8 weeks	21.70 kg	4.201
Fabric gr. 4	Atlas, Baru, Karakorum, Karandash, Serafino	ATD2 & ATD3	Oak	6-8 weeks	21.70 kg	4.428
		ATD2 & ATD3	Walnut	6-8 weeks	21.70 kg	4.939
Sheepskin MTO	Sheepskin 17mm, Sheepskin 50mm	ATD2 & ATD3	Oak	6-8 weeks	21.70 kg	5.728
		ATD2 & ATD3	Walnut	6-8 weeks	21.70 kg	6.239
Fabric COM	COM Fabric	ATD2 & ATD3	Oak	6-8 weeks	21.70 kg	3.179
		ATD2 & ATD3	Walnut	6-8 weeks	21.70 kg	3.690

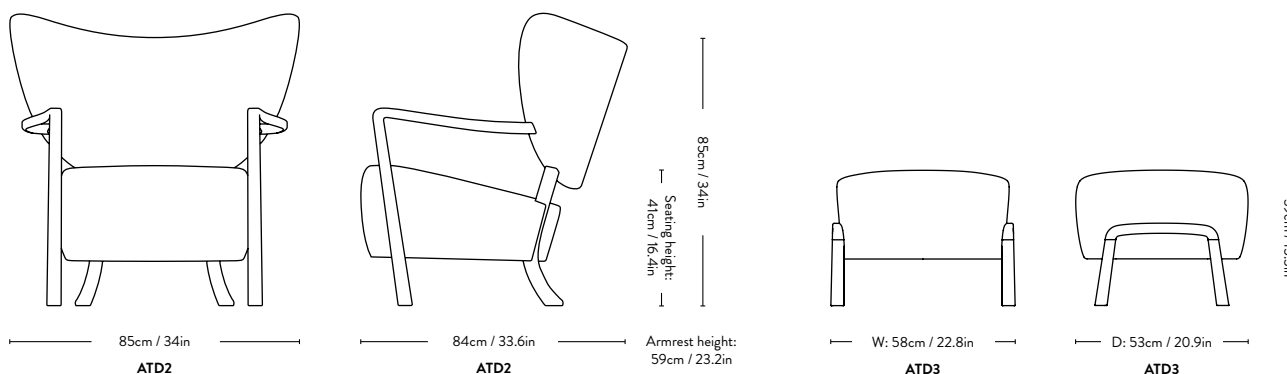
Material: Oiled wood, HR foam, polyester wadding, fabric upholstery.

Fabric usage: 3.6 meters based on a 140cm roll.

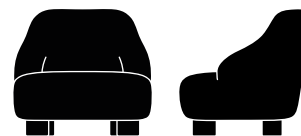
COM must be approved by &Tradition to ensure suitability for upholstery.

Wulff ATD2 & ATD3 are not available in leather.

Felt gliders installed as standard.



Margas LC1 Liljencrantz 2022



Item no.	Upholstery	Base	Model	Lead time	Weight	PRICE EX. VAT (EUR)
11500200	Zero 0011	Black Lacquered Oak	LC1	2-4 weeks	26.0 kg	1.930
11500400		Oiled Oak	LC1	2-4 weeks	26.0 kg	1.930
11500600		Oiled Walnut	LC1	2-4 weeks	26.0 kg	2.271
11500201	Svevo 002	Black Lacquered Oak	LC1	2-4 weeks	26.0 kg	2.157
11500401		Oiled Oak	LC1	2-4 weeks	26.0 kg	2.157
11500601		Oiled Walnut	LC1	2-4 weeks	26.0 kg	2.498
11500202	Karakorum 001	Black Lacquered Oak	LC1	2-4 weeks	26.0 kg	2.384
11500402		Oiled Oak	LC1	2-4 weeks	26.0 kg	2.384
11500602		Oiled Walnut	LC1	2-4 weeks	26.0 kg	2.725
11500203	Gentle 133	Black Lacquered Oak	LC1	2-4 weeks	26.0 kg	2.498
11500403		Oiled Oak	LC1	2-4 weeks	26.0 kg	2.498
11500603		Oiled Walnut	LC1	2-4 weeks	26.0 kg	2.838

	Upholstery	Base	Model	Lead time	Weight	PRICE EX. VAT (EUR)
Fabric gr. 1	Canvas, Linara, Remix, Re-Wool	Black Lacquered Oak	LC1	6-8 weeks	26.0 kg	1.930
		Oiled Oak	LC1	6-8 weeks	26.0 kg	1.930
		Oiled Walnut	LC1	6-8 weeks	26.0 kg	2.271
Fabric gr. 2	Clay, Divina Melange, Fiord, Hallingdal, Ruskin, Steelcut, Steelcut Trio, Tonus, Zero	Black Lacquered Oak	LC1	6-8 weeks	26.0 kg	2.157
		Oiled Oak	LC1	6-8 weeks	26.0 kg	2.157
		Oiled Walnut	LC1	6-8 weeks	26.0 kg	2.498
Fabric gr. 3	Sisu, Svevo, Vidar	Black Lacquered Oak	LC1	6-8 weeks	26.0 kg	2.271
		Oiled Oak	LC1	6-8 weeks	26.0 kg	2.271
		Oiled Walnut	LC1	6-8 weeks	26.0 kg	2.611
Fabric gr. 4	Baru, Gentle, Karakorum, Karandash, La toile du peintre, Serafino	Black Lacquered Oak	LC1	6-8 weeks	26.0 kg	2.725
		Oiled Oak	LC1	6-8 weeks	26.0 kg	2.725
		Oiled Walnut	LC1	6-8 weeks	26.0 kg	3.066
COM Fabric	COM Fabric	Black Lacquered Oak	LC1	6-8 weeks	26.0 kg	1.930
		Oiled Oak	LC1	6-8 weeks	26.0 kg	1.930
		Oiled Walnut	LC1	6-8 weeks	26.0 kg	2.271

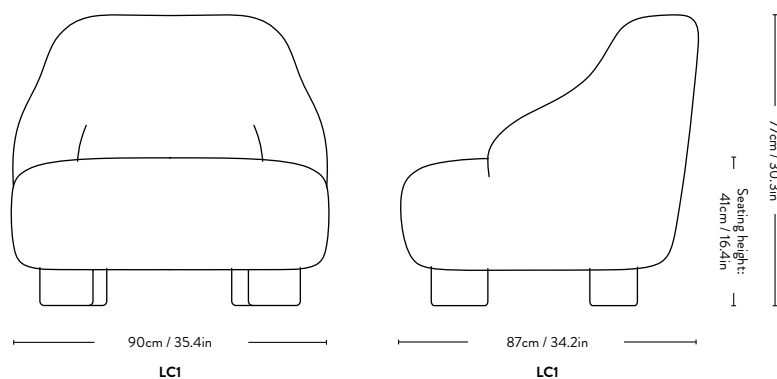
Material: Wood, HR foam, polyester wadding, fabric upholstery

Fabric usage: 2.8 meters based on a 140cm roll.

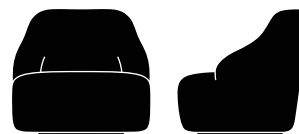
COM must be approved by &Tradition to ensure suitability for upholstery.

Margas LC1 is not available in leather.

Felt gliders installed as standard.



Margas LC2 Liljencrantz 2022



Item no.	Upholstery	Base	Model	Lead time	Weight	PRICE EX. VAT (EUR)
11550200	Zero 0011	Black Swivel	LC2	2-4 weeks	32.0 kg	1.930
11550201	Svevo 002	Black Swivel	LC2	2-4 weeks	32.0 kg	2.157
11550202	Karakorum 001	Black Swivel	LC2	2-4 weeks	32.0 kg	2.384
11550203	Gentle 133	Black Swivel	LC2	2-4 weeks	32.0 kg	2.498

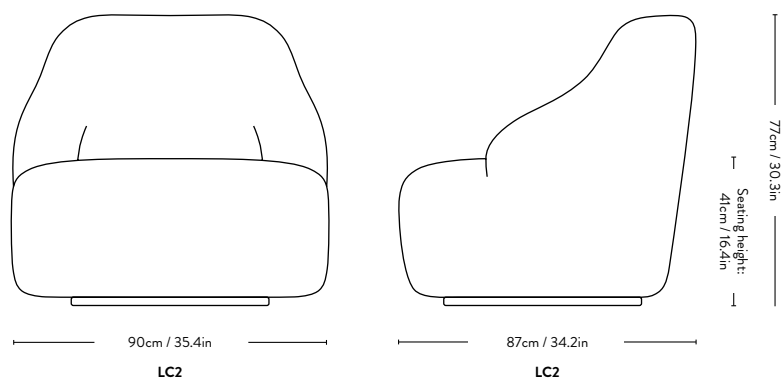
	Upholstery	Base	Model	Lead time	Weight	PRICE EX. VAT (EUR)
Fabric gr. 1	Canvas, Linara, Remix, Re-Wool	Black Swivel	LC2	6-8 weeks	32.0 kg	1.930
Fabric gr. 2	Clay, Divina Melange, Fiord, Hallingdal, Ruskin, Steelcut, Steelcut Trio, Tonus, Zero	Black Swivel	LC2	6-8 weeks	32.0 kg	2.157
Fabric gr. 3	Sisu, Svevo, Vidar	Black Swivel	LC2	6-8 weeks	32.0 kg	2.271
Fabric gr. 4	Baru, Gentle, Karakorum, Karandash, La toile du peintre, Serafino	Black Swivel	LC2	6-8 weeks	32.0 kg	2.725
COM Fabric	COM Fabric	Black Swivel	LC2	6-8 weeks	32.0 kg	1.930

Material: Wood, HR foam, polyester wadding, fabric upholstery.

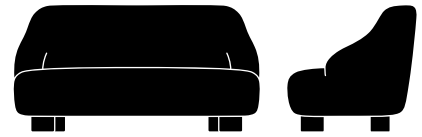
Fabric usage: 2.8 meters based on a 140cm roll.
COM must be approved by &Tradition to ensure suitability for upholstery.

Margas LC2 is not available in leather.

Felt gliders installed as standard.
Swivel w. return function.



Margas LC3 Liljencrantz 2022



Item no.	Upholstery	Base	Model	Lead time	Weight	PRICE EX. VAT (EUR)
11600200	Zero 0011	Black Lacquered Oak	LC3	2-4 weeks	38.0 kg	2.725
11600400		Oiled Oak	LC3	2-4 weeks	38.0 kg	2.725
11600600		Oiled Walnut	LC3	2-4 weeks	38.0 kg	3.066
11600201	Svevo 002	Black Lacquered Oak	LC3	2-4 weeks	38.0 kg	3.066
11600401		Oiled Oak	LC3	2-4 weeks	38.0 kg	3.066
11600601		Oiled Walnut	LC3	2-4 weeks	38.0 kg	3.406
11600202	Karakorum 001	Black Lacquered Oak	LC3	2-4 weeks	38.0 kg	3.293
11600402		Oiled Oak	LC3	2-4 weeks	38.0 kg	3.293
11600602		Oiled Walnut	LC3	2-4 weeks	38.0 kg	3.633
11600203	Gentle 133	Black Lacquered Oak	LC3	2-4 weeks	38.0 kg	3.406
11600403		Oiled Oak	LC3	2-4 weeks	38.0 kg	3.406
11600603		Oiled Walnut	LC3	2-4 weeks	38.0 kg	3.747

	Upholstery	Base	Model	Lead time	Weight	PRICE EX. VAT (EUR)
Fabric gr. 1	Canvas, Linara, Remix, Re-Wool	Black Lacquered Oak	LC3	6-8 weeks	38.0 kg	2.611
		Oiled Oak	LC3	6-8 weeks	38.0 kg	2.611
		Oiled Walnut	LC3	6-8 weeks	38.0 kg	2.952
Fabric gr. 2	Clay, Divina Melange, Fiord, Hallingdal, Ruskin, Steelcut, Steelcut Trio, Tonus, Zero	Black Lacquered Oak	LC3	6-8 weeks	38.0 kg	2.952
		Oiled Oak	LC3	6-8 weeks	38.0 kg	2.952
		Oiled Walnut	LC3	6-8 weeks	38.0 kg	3.293
Fabric gr. 3	Sisu, Svevo, Vidar	Black Lacquered Oak	LC3	6-8 weeks	38.0 kg	3.179
		Oiled Oak	LC3	6-8 weeks	38.0 kg	3.179
		Oiled Walnut	LC3	6-8 weeks	38.0 kg	3.520
Fabric gr. 4	Baru, Gentle, Karakorum, Karandash, La toile du peintre, Serafino	Black Lacquered Oak	LC3	6-8 weeks	38.0 kg	3.633
		Oiled Oak	LC3	6-8 weeks	38.0 kg	3.633
		Oiled Walnut	LC3	6-8 weeks	38.0 kg	3.974
COM Fabric	COM Fabric	Black Lacquered Oak	LC3	6-8 weeks	38.0 kg	2.611
		Oiled Oak	LC3	6-8 weeks	38.0 kg	2.611
		Oiled Walnut	LC3	6-8 weeks	38.0 kg	2.952

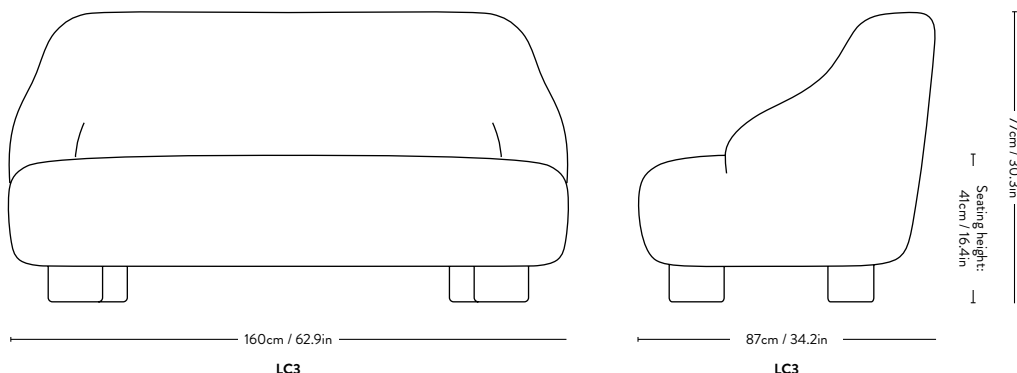
Material: Wood, HR foam, polyester wadding, fabric upholstery.

Fabric usage: 4.2 meters based on a 140cm roll.

COM must be approved by &Tradition to ensure suitability for upholstery.

Margas LC3 is not available in leather.

Felt gliders installed as standard.



Loafer SC24

Space Copenhagen

2019



Price gr.	Upholstery	Model	Lead time	Weight	PRICE EX. VAT (EUR)
Fabric gr. 1	Canvas, Linara, Maple, Remix, Re-Wool	SC24	6-8 weeks	15.50 kg	1.192
Fabric gr. 2	Divina Melange, Duke, Fiord, Hallingdal, Loop, Ritz, Ruskin, Steelcut, Steelcut Trio, Tonus, Velvet, Zero	SC24	6-8 weeks	15.50 kg	1.305
Fabric gr. 3	Balder, Harald, Moss, Sisu, Skai Parotega Artificial leather*, Sunniva, Vidar	SC24	6-8 weeks	15.50 kg	1.532
Fabric gr. 4	Baru, Karakorum, Karandash	SC24	6-8 weeks	15.50 kg	1.873
Leather gr. 2	Noble	SC24	6-8 weeks	15.50 kg	2.327
Leather gr. 3	Elmo soft leather	SC24	6-8 weeks	15.50 kg	2.782
COM	COM Fabric	SC24	6-8 weeks	15.50 kg	1.192
COL	COL Leather	SC24	6-8 weeks	15.50 kg	1.873

*Skai Parotega Artificial leather:

This product contains 0,1-0,2 % C,C'-azodi (formamide), CAS no. 123-77-3.

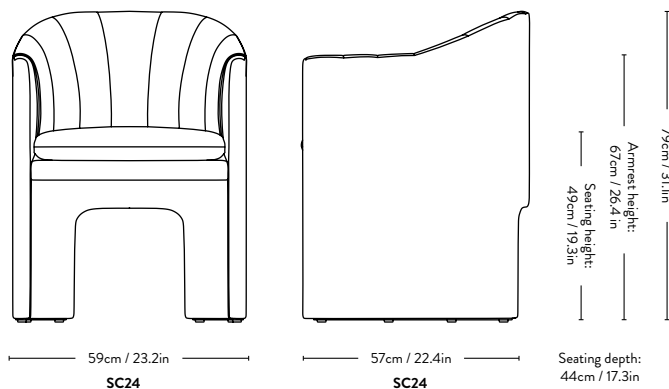
Material: Wood, HR foam, polyester wadding, fabric upholstery.

Fabric usage: 2.7 meters based on 140cm roll.

Leather usage: 6.4 square meters.

COM must be approved by &Tradition to ensure suitability for upholstery.

Plastic gliders installed as standard.



Loafer SC23

Space Copenhagen 2018



Price gr.	Upholstery	Model	Lead time	Weight	PRICE EX. VAT (EUR)
Fabric gr. 1	Canvas, Linara, Maple, Remix, Re-Wool	SC23	6-8 weeks	26.00 kg	1.419
Fabric gr. 2	Divina Melange, Duke, Fiord, Hallingdal, Loop, Ritz, Ruskin, Steelcut, Steelcut Trio, Tonus, Velvet, Zero	SC23	6-8 weeks	26.00 kg	1.532
Fabric gr. 3	Balder, Harald, Moss, Sisu, Skai Parotega Artificial leather*, Sunniva, Vidar	SC23	6-8 weeks	26.00 kg	1.760
Fabric gr. 4	Baru, Karakorum, Karandash	SC23	6-8 weeks	26.00 kg	2.100
Leather gr. 2	Noble	SC23	6-8 weeks	26.00 kg	2.441
Leather gr. 3	Elmo soft leather	SC23	6-8 weeks	26.00 kg	2.895
Sheepskin MTO	Sheepskin 17mm	SC23	6-8 weeks	26.00 kg	3.463
COM	COM Fabric	SC23	6-8 weeks	26.00 kg	1.419
COL	COL Leather	SC23	6-8 weeks	26.00 kg	1.987

*Skai Parotega Artificial leather:
This product contains 0,1-0,2% C,C'-azodi (formamide), CAS no. 123-77-3.

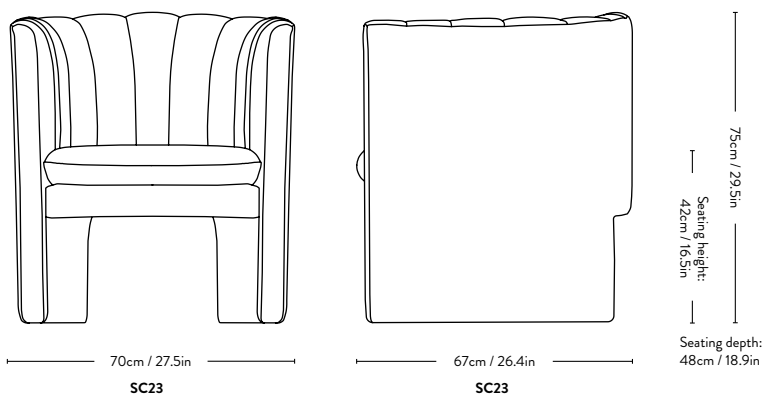
Material: Wood, HR foam, polyester wadding, fabric upholstery.

Fabric usage: 3.3 meters based on 140cm roll.

Leather usage: 7.7 square meters.

COM must be approved by &Tradition to ensure suitability for upholstery.

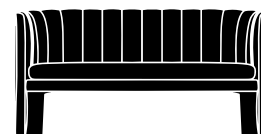
Felt gliders installed as standard.



Loafer SC25

Space Copenhagen

2019



Price gr.	Upholstery	Model	Lead time	Weight	PRICE EX. VAT (EUR)
Fabric gr. 1	Canvas, Linara, Maple, Remix, Re-Wool	SC25	6-8 weeks	36.00 kg	2.952
Fabric gr. 2	Divina Melange, Duke, Fiord, Hallingdal, Loop, Ritz, Ruskin, Steelcut, Steelcut Trio, Tonus, Velvet, Zero	SC25	6-8 weeks	36.00 kg	3.293
Fabric gr. 3	Balder, Harald, Moss, Sisu, Skai Parotega Artificial leather*, Sunniva, Vidar	SC25	6-8 weeks	36.00 kg	3.860
Fabric gr. 4	Baru, Karakorum, Karandash	SC25	6-8 weeks	36.00 kg	4.088
Leather gr. 2	Noble	SC25	6-8 weeks	36.00 kg	4.428
Leather gr. 3	Elmo soft leather	SC25	6-8 weeks	36.00 kg	5.337
COM	COM Fabric	SC25	6-8 weeks	36.00 kg	2.952
COL	COL Leather	SC25	6-8 weeks	36.00 kg	4.428

*Skai Parotega Artificial leather:
This product contains 0,1-0,2% C,C'-azodi (formamide), CAS no. 123-77-3.

Material: Wood, HR foam, polyester wadding, fabric upholstery.

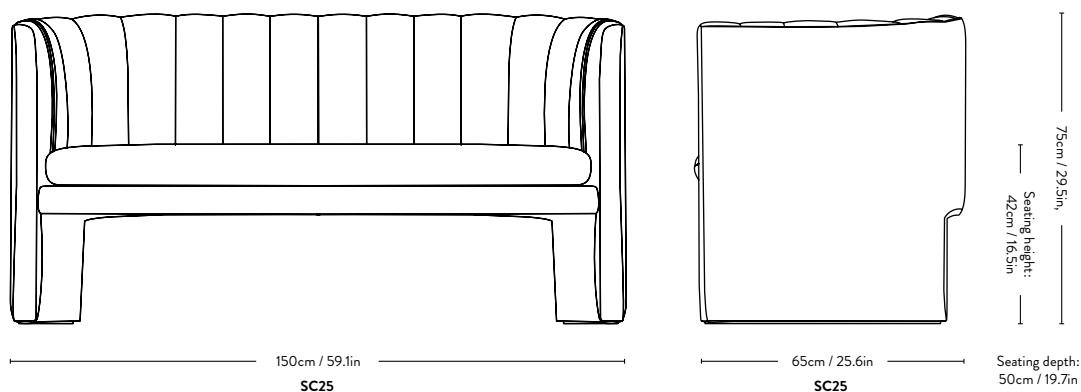
Fabric usage: 5.8 meters based on 140cm roll.

Leather usage: 11 square meters.

COM must be approved by &Tradition to ensure suitability for upholstery.

Felt gliders installed as standard.
Customized sizes available upon request.

Extra height: 10% upcharge



Loafer SC26

Space Copenhagen 2019



Price gr.	Upholstery	Model	Lead time	Weight	PRICE EX. VAT (EUR)
Fabric gr. 1	Canvas, Linara, Maple, Remix, Re-Wool	SC26	6-8 weeks	45.00 kg	3.236
Fabric gr. 2	Chelsea, Divina, Divina MD, Divina Melange, Duke, Fiord, Hallingdal, Hero, Loop, Ritz, Ruskin, Steelcut, Steelcut Trio, Tonus, Velvet, Zero	SC26	6-8 weeks	45.00 kg	3.577
Fabric gr. 3	Balder, Harald, Moss, Sisu, Skai Parotega Artificial leather*, Sunniva, Vidar	SC26	6-8 weeks	45.00 kg	4.144
Fabric gr. 4	Baru, Karakorum, Karandash	SC26	6-8 weeks	45.00 kg	4.371
Leather gr. 2	Noble	SC26	6-8 weeks	45.00 kg	4.712
Leather gr. 3	Elmo soft leather	SC26	6-8 weeks	45.00 kg	5.655
COM	COM Fabric	SC26	6-8 weeks	45.00 kg	3.236
COL	COL Leather	SC26	6-8 weeks	45.00 kg	4.712

*Skai Parotega Artificial leather:
This product contains 0,1-0,2 % C,C'-azodi (formamide), CAS no. 123-77-3.

Material: Wood, HR foam, polyester wadding, fabric upholstery.

Fabric usage: 6.7 meters based on 140cm roll.

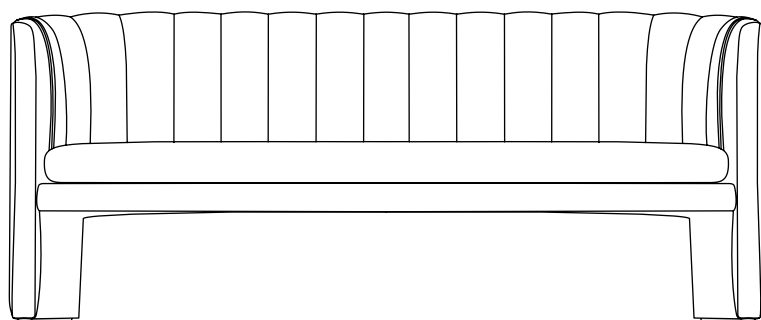
Leather usage: 12.7 square meters.

COM must be approved by &Tradition to ensure suitability for upholstery.

Felt gliders installed as standard.

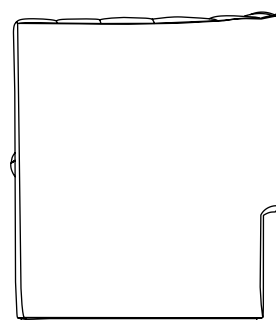
Customized sizes available upon request.

Extra height: 10% upcharge



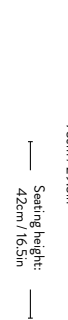
185cm / 72.8in

SC26



65cm / 25.6in

SC26



75cm / 29.5in

Seating height:
42cm / 16.5in

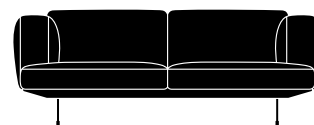
Seating depth:
50cm / 19.7in

NEW

Inland AV22

Anderssen & Voll

2022



Item no.	Upholstery	Model	Lead time	Weight	PRICE EX. VAT (EUR)
12200201	Hallingdal 376	AV22	6-8 weeks	78.0 kg	3.066
12200202	Vidar 733	AV22	6-8 weeks	78.0 kg	3.406
12200203	Clay 0011	AV22	6-8 weeks	78.0 kg	3.066
12200204	Clay 0014	AV22	6-8 weeks	78.0 kg	3.066
12200300	Leather Cognac	AV22	Stock item	78.0 kg	4.542
12200301	Elmo Soft Black	AV22	6-8 weeks	78.0 kg	4.542

Price gr.	Upholstery	Model	Lead time	Weight	PRICE EX. VAT (EUR)
Fabric gr. 1	Canvas, Linara, Maple, Remix, Re-Wool	AV22	6-8 weeks	78.0 kg	2.838
Fabric gr. 2	Divina Melange, Duke, Fiord, Hallingdal, Loop, Ritz, Ruskin, Steelcut, Steelcut Trio, Tonus, Velvet, Zero	AV22	6-8 weeks	78.0 kg	3.066
Fabric gr. 3	Balder, Harald, Moss, Sisu, Skai Parotega Artificial leather*, Sunniva, Vidar	AV22	6-8 weeks	78.0 kg	3.406
Fabric gr. 4	Baru, Karakorum, Karandash, Nimbus, Serafino	AV22	6-8 weeks	78.0 kg	4.315
Leather gr. 2	Noble	AV22	6-8 weeks	78.0 kg	4.542
Leather gr. 3	Elmo soft leather	AV22	6-8 weeks	78.0 kg	
COM	COM Fabric	AV22	6-8 weeks	78.0 kg	2.838
COL	COL Leather	AV22	6-8 weeks	78.0 kg	

*Skai Parotega Artificial leather:
This product contains 0,1-0,2 % C,C'-azodi (formamide), CAS no. 123-77-3.

Material: Wood, HR foam, polyester wadding, fabric upholstery.

Fabric usage: 6.7 meters based on 140cm roll.

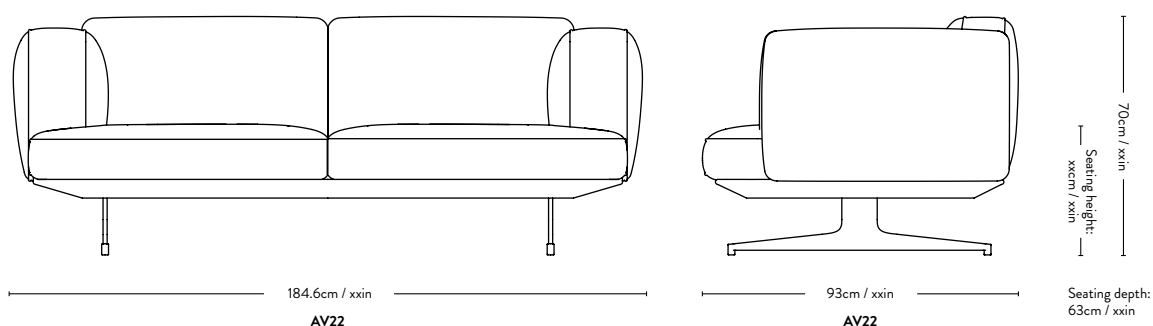
Leather usage: 12.7 square meters.

COM must be approved by &Tradition to ensure suitability for upholstery.

Felt gliders installed as standard.

Customized sizes available upon request.

Extra height: 10% upcharge

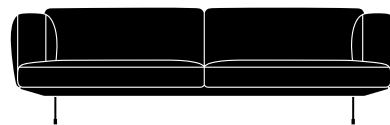


NEW

Inland AV23

Anderssen & Voll

2022



Item no.	Upholstery	Model	Lead time	Weight	PRICE EX. VAT (EUR)
12300201	Hallingdal 376	AV23	6-8 weeks	92.0 kg	3.633
12300202	Vidar 733	AV23	6-8 weeks	92.0 kg	3.974
12300203	Clay 0011	AV23	6-8 weeks	92.0 kg	3.633
12200204	Clay 0014	AV23	6-8 weeks	92.0 kg	3.633
12300300	Leather Cognac	AV23	Stock item	92.0 kg	5.110
12300301	Elmo Soft Black	AV23	6-8 weeks	92.0 kg	5.110

Price gr.	Upholstery	Model	Lead time	Weight	PRICE EX. VAT (EUR)
Fabric gr. 1	Canvas, Linara, Maple, Remix, Re-Wool	AV23	6-8 weeks	92.0 kg	3.406
Fabric gr. 2	Divina Melange, Duke, Fiord, Hallingdal, Loop, Ritz, Ruskin, Steelcut, Steelcut Trio, Tonus, Velvet, Zero	AV23	6-8 weeks	92.0 kg	3.633
Fabric gr. 3	Balder, Harald, Moss, Sisu, Skai Parotega Artificial leather*, Sunniva, Vidar	AV23	6-8 weeks	92.0 kg	3.974
Fabric gr. 4	Baru, Karakorum, Karandash, Nimbus, Serafino	AV23	6-8 weeks	92.0 kg	5.110
Leather gr. 2	Noble	AV23	6-8 weeks	92.0 kg	5.110
Leather gr. 3	Elmo soft leather	AV23	6-8 weeks	92.0 kg	5.110
COM	COM Fabric	AV23	6-8 weeks	92.0 kg	3.406
COL	COL Leather	AV23	6-8 weeks	92.0 kg	5.110

*Skai Parotega Artificial leather:
This product contains 0,1-0,2 % C,C'-azodi (formamide), CAS no. 123-77-3.

Material: Wood, HR foam, polyester wadding, fabric upholstery.

Fabric usage: 6.7 meters based on 140cm roll.

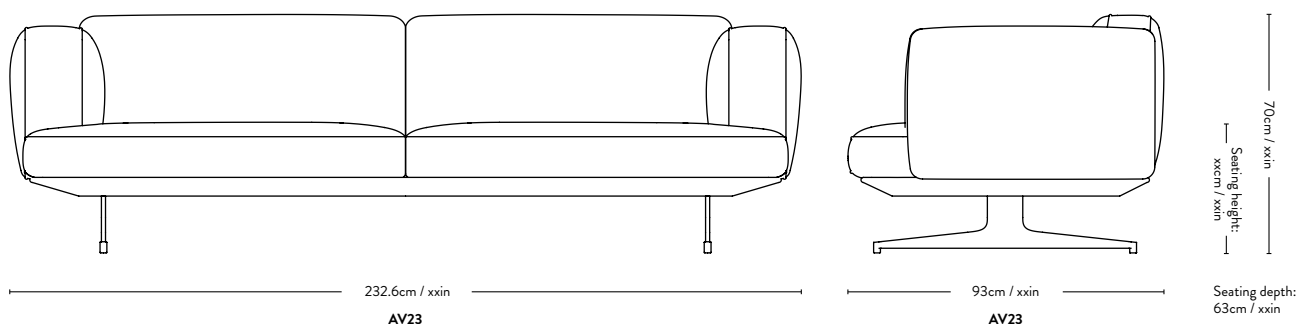
Leather usage: 12.7 square meters.

COM must be approved by &Tradition to ensure suitability for upholstery.

Felt gliders installed as standard.

Customized sizes available upon request.

Extra height: 10% upcharge



Mayor ^{AJ5} Arne Jacobsen & Flemming Lassen 1939



Item no.	Upholstery	Colli qty.	Model	Base	Lead time	Weight	PRICE EX. VAT (EUR)
65101012	Hallingdal 130	1 pc	AJ5	Oak	1-2 weeks	45.00 kg	4.542

Price gr.	Upholstery	Model	Base	Lead time	Weight	PRICE EX. VAT (EUR)
Fabric gr. 1	Canvas, Linara, Maple, Remix, Re-Wool	AJ5	Oak	6-8 weeks	45.00 kg	4.201
		AJ5	Walnut	6-8 weeks	45.00 kg	4.769
Fabric gr. 2	Divina Melange, Duke, Fiord, Hallingdal, Loop, Ritz, Ruskin, Steelcut, Steelcut Trio, Tonus, Velvet, Zero	AJ5	Oak	6-8 weeks	45.00 kg	4.542
		AJ5	Walnut	6-8 weeks	45.00 kg	5.110
Fabric gr. 3	Balder, Harald, Sisu, Sunniva, Vidar	AJ5	Oak	6-8 weeks	45.00 kg	4.882
		AJ5	Walnut	6-8 weeks	45.00 kg	5.450
Fabric gr. 4	Atlas, Baru, Fuse, Karakorom, Karandash	AJ5	Oak	6-8 weeks	45.00 kg	5.677
		AJ5	Walnut	6-8 weeks	45.00 kg	6.245
Leather gr. 2	Noble	AJ5	Oak	6-8 weeks	45.00 kg	6.813
		AJ5	Walnut	6-8 weeks	45.00 kg	7.381
Leather gr. 3	Elmo soft leather, Sheepskin 17mm (Moonlight & Sahara)	AJ5	Oak	6-8 weeks	45.00 kg	8.176
		AJ5	Walnut	6-8 weeks	45.00 kg	8.743
Fabric COM	COM Fabric	AJ5	Oak	6-8 weeks	45.00 kg	3.974
		AJ5	Walnut	6-8 weeks	45.00 kg	4.769
Leather COL	COL Leather	AJ5	Oak	6-8 weeks	45.00 kg	6.813
		AJ5	Walnut	6-8 weeks	45.00 kg	7.381

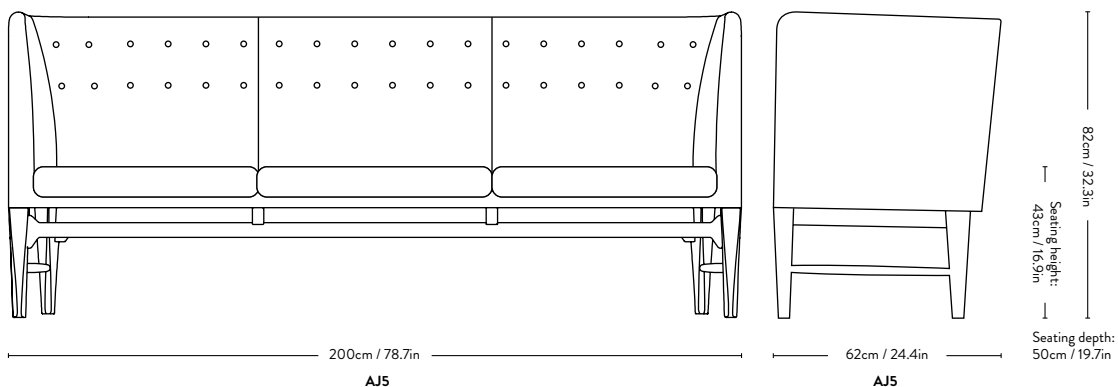
Item no.	Add on	Lead time	Weight	PRICE EX. VAT (EUR)
101015	Mayor high legs - legs providing a seating height of 47cm. *must be specified with the order	6-8 weeks	0.10 kg	283
101016	Piping & buttons in CA-MO silk leather. *must be specified with the order	6-8 weeks		624

Material: Solid oak or walnut base, solid beech frame, elastic belts and HR foam.
Fabric or leather upholstery.

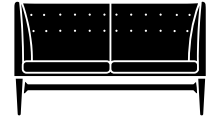
COM must be approved by &Tradition to ensure suitability for upholstery.
Felt gliders installed as standard.

Fabric usage: 6.5 meters based on 140cm roll. / **Leather usage:** 12 square meters.

Base	Finish
Solid Oak	White Oiled Oak, Smoked Oiled Oak, Black Lacquered Oak
Solid Walnut	Oiled Walnut



Mayor ^{AJ6} Arne Jacobsen & Flemming Lassen 1939



Price gr.	Upholstery	Model	Base	Lead time	Weight	PRICE EX. VAT (EUR)
Fabric gr. 1	Canvas, Linara, Maple, Remix, Re-Wool	AJ6	Oak	6-8 weeks	38.00 kg	3.747
		AJ6	Walnut	6-8 weeks	38.00 kg	4.201
Fabric gr. 2	Divina Melange, Duke, Fiord, Hallingdal, Loop, Ritz, Ruskin, Steelcut, Steelcut Trio, Tonus, Velvet, Zero	AJ6	Oak	6-8 weeks	38.00 kg	4.088
		AJ6	Walnut	6-8 weeks	38.00 kg	4.542
Fabric gr. 3	Balder, Harald, Sisu, Sunniva, Vidar	AJ6	Oak	6-8 weeks	38.00 kg	4.428
		AJ6	Walnut	6-8 weeks	38.00 kg	4.882
Fabric gr. 4	Atlas, Baru, Fuse, Karakorum, Karandash	AJ6	Oak	6-8 weeks	38.00 kg	4.996
		AJ6	Walnut	6-8 weeks	38.00 kg	5.450
Leather gr. 2	Noble	AJ6	Oak	6-8 weeks	38.00 kg	5.791
		AJ6	Walnut	6-8 weeks	38.00 kg	6.245
Leather gr. 3	Elmo soft leather, Sheepskin 17mm (Moonlight & Sahara)	AJ6	Oak	6-8 weeks	38.00 kg	7.040
		AJ6	Walnut	6-8 weeks	38.00 kg	7.494
Fabric COM	COM Fabric	AJ6	Oak	6-8 weeks	38.00 kg	3.747
		AJ6	Walnut	6-8 weeks	38.00 kg	4.201
Leather COL	COL Leather	AJ6	Oak	6-8 weeks	38.00 kg	5.791
		AJ6	Walnut	6-8 weeks	38.00 kg	6.245

Item no.	Add on	Lead time	Weight	PRICE EX. VAT (EUR)
101015	Mayor high legs - legs providing a seating height of 47cm. *must be specified with the order	6-8 weeks	0.10 kg	283
101016	Piping & buttons in CA-MO silk leather. *must be specified with the order	6-8 weeks		624

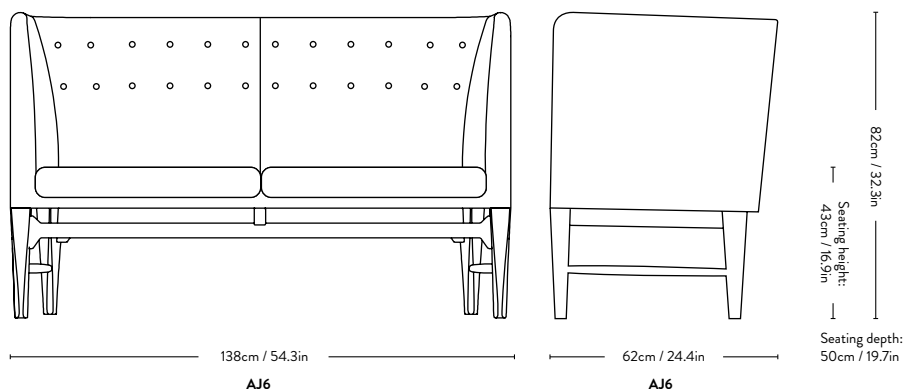
Material: Solid oak or walnut base, solid beech frame, elastic belts and HR foam. Fabric or leather upholstery.

COM must be approved by &Tradition to ensure suitability for upholstery. Felt gliders installed as standard.

Fabric usage: 5 meters based on 140cm roll.

Leather usage: 10 square meters.

Base	Finish
Solid Oak	White Oiled Oak, Smoked Oiled Oak, Black Lacquered Oak
Solid Walnut	Oiled Walnut



Cloud LN1

Luca Nichetto

2015



Price gr.	Upholstery	Model	Base	Lead time	Weight	PRICE EX. VAT (EUR)
Fabric gr. 1	Canvas, Linara, Maple, Remix, Re-Wool	LN1	Warm Black or Chrome	6-8 weeks	40.00 kg	2.384
Fabric gr. 2	Clay, Divina Melange, Duke, Fiord, Hallingdal, Loop, Ritz, Ruskin, Steelcut, Steelcut Trio, Tonus, Velvet, Zero	LN1	Warm Black or Chrome	6-8 weeks	40.00 kg	2.725
Fabric gr. 3	Balder, Sisu, Sunniva, Vidar	LN1	Warm Black or Chrome	6-8 weeks	40.00 kg	2.952
Fabric gr. 4	Baru, Fuse, Karakorum, Karandash	LN1	Warm Black or Chrome	6-8 weeks	40.00 kg	3.633
Leather gr. 2	Noble	LN1	Warm Black or Chrome	6-8 weeks	40.00 kg	4.428
Leather gr. 3	Elmo soft leather	LN1	Warm Black or Chrome	6-8 weeks	40.00 kg	5.337
Fabric COM	COM Fabric	LN1	Warm Black or Chrome	6-8 weeks	40.00 kg	2.384
Leather COL	COL Leather	LN1	Warm Black or Chrome	6-8 weeks	40.00 kg	4.428

Legs

Finish

Solid	Powder Coated Warm Black (RAL 8022)
Steel tube	Chrome

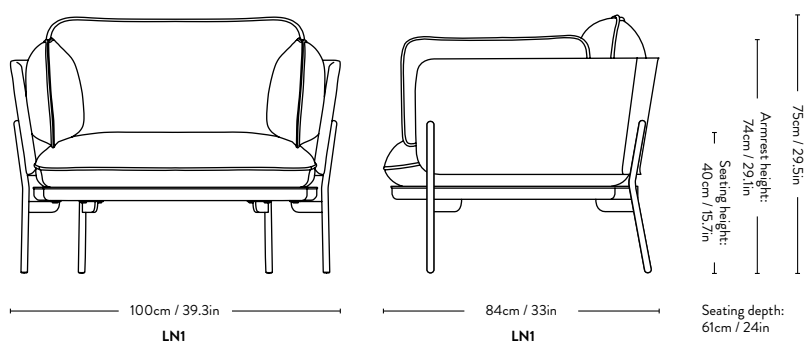
Material: Plywood, solid wood and steel base with no-zag springs. HR foam, polyester fibers and feather pillows. Solid steel legs. Fabric or leather upholstery.

Fabric usage: 6 meters based on 140cm roll.

Leather usage: 14 square meters.

COM must be approved by &Tradition to ensure suitability for upholstery.

Felt gliders installed as standard.



Cloud LN2

Luca Nichetto

2015



Price gr.	Upholstery	Model	Base	Lead time	Weight	PRICE EX. VAT (EUR)
Fabric gr. 1	Canvas, Linara, Maple, Remix, Re-Wool	LN2	Warm Black or Chrome	6-8 weeks	57.00 kg	3.179
Fabric gr. 2	Clay, Divina Melange, Duke, Fiord, Hallingdal, Loop, Ritz, Ruskin, Steelcut, Steelcut Trio, Tonus, Velvet, Zero	LN2	Warm Black or Chrome	6-8 weeks	57.00 kg	3.633
Fabric gr. 3	Balder, Sisu, Sunniva, Vidar	LN2	Warm Black or Chrome	6-8 weeks	57.00 kg	3.860
Fabric gr. 4	Baru, Fuse, Karakorum, Karandash	LN2	Warm Black or Chrome	6-8 weeks	57.00 kg	5.166
Leather gr. 2	Noble	LN2	Warm Black or Chrome	6-8 weeks	57.00 kg	5.961
Leather gr. 3	Elmo soft leather	LN2	Warm Black or Chrome	6-8 weeks	57.00 kg	7.154
Fabric COM	COM Fabric	LN2	Warm Black or Chrome	6-8 weeks	57.00 kg	3.179
Leather COL	COL Leather	LN2	Warm Black or Chrome	6-8 weeks	57.00 kg	5.961

Legs

Finish

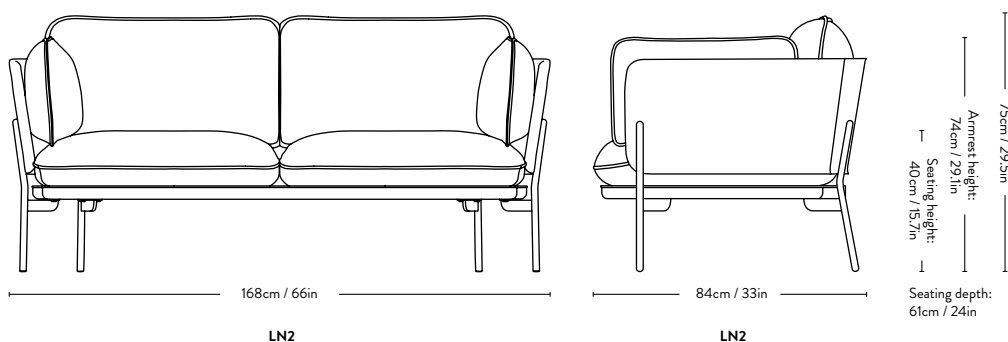
Solid	Powder Coated Warm Black (RAL 8022)
Steel tube	Chrome

Material: Plywood, solid wood and steel base with no-zag springs. HR foam, polyester fibers and feather pillows. Solid steel legs. Fabric or leather upholstery.

Fabric usage: 8 meters based on 140cm roll.
Leather usage: 19 square meters.

COM must be approved by &Tradition to ensure suitability for upholstery.

Felt gliders installed as standard.



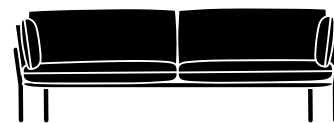
LN2

LN2

Cloud LN3.2

Luca Nichetto

2015



Price gr.	Upholstery	Model	Base	Lead time	Weight	PRICE EX. VAT (EUR)
Fabric gr. 1	Canvas, Linara, Maple, Remix, Re-Wool	LN3.2	Warm Black or Chrome	6-8 weeks	69.00 kg	3.804
Fabric gr. 2	Clay, Divina Melange, Duke, Fiord, Hallingdal, Loop, Ritz, Ruskin, Steelcut, Steelcut Trio, Tonus, Velvet, Zero	LN3.2	Warm Black or Chrome	6-8 weeks	69.00 kg	4.315
Fabric gr. 3	Balder, Sisu, Sunniva, Vidar	LN3.2	Warm Black or Chrome	6-8 weeks	69.00 kg	4.712
Fabric gr. 4	Baru, Fuse, Karakorum, Karandash	LN3.2	Warm Black or Chrome	6-8 weeks	69.00 kg	6.245
Leather gr. 2	Noble	LN3.2	Warm Black or Chrome	6-8 weeks	69.00 kg	6.586
Leather gr. 3	Elmo soft leather	LN3.2	Warm Black or Chrome	6-8 weeks	69.00 kg	7.949
Fabric COM	COM Fabric	LN3.2	Warm Black or Chrome	6-8 weeks	69.00 kg	6.586
Leather COL	COL Leather	LN3.2	Warm Black or Chrome	6-8 weeks	69.00 kg	5.166

Legs

Finish

Solid	Powder Coated Warm Black (RAL 8022)
Steel tube	Chrome

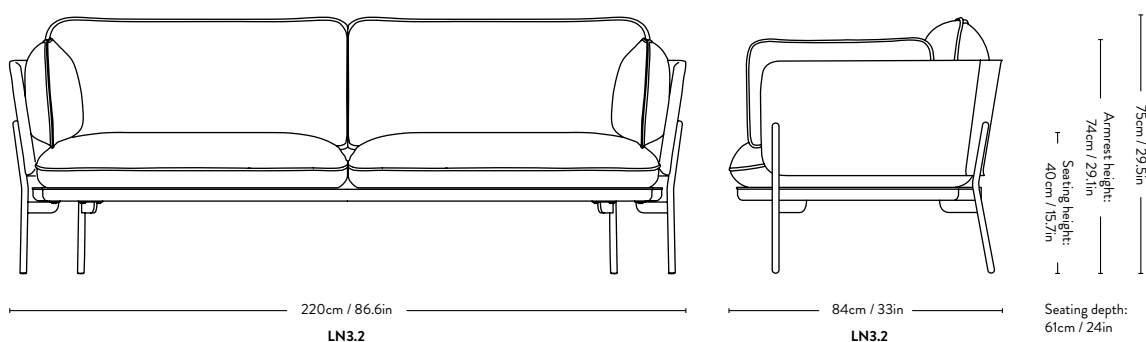
Material: Plywood, solid wood and steel base with no-zag springs. HR foam, polyester fibers and feather pillows. Solid steel legs. Fabric or leather upholstery.

Fabric usage: 11 meters based on 140cm roll.

Leather usage: 21 square meters.

COM must be approved by &Tradition to ensure suitability for upholstery.

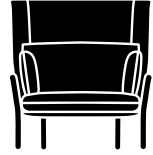
Felt gliders installed as standard.



Cloud LN5

Luca Nichetto

2018



Price gr.	Upholstery	Model	Base	Lead time	Weight	PRICE EX. VAT (EUR)
Fabric gr. 1	Canvas, Linara, Maple, Remix, Re-Wool	LN5	Warm Black or Chrome	6-8 weeks	50.00 kg	3.179
Fabric gr. 2	Clay, Divina Melange, Duke, Fiord, Hallingdal, Loop, Ritz, Ruskin, Steelcut, Steelcut Trio, Tonus, Velvet, Zero	LN5	Warm Black or Chrome	6-8 weeks	50.00 kg	3.747
Fabric gr. 3	Balder, Sisu, Sunniva, Vidar	LN5	Warm Black or Chrome	6-8 weeks	50.00 kg	4.201
Fabric gr. 4	Baru, Fuse, Karakorum, Karandash	LN5	Warm Black or Chrome	6-8 weeks	50.00 kg	6.245
Leather gr. 2	Noble	LN5	Warm Black or Chrome	6-8 weeks	50.00 kg	5.223
Fabric COM	COM Fabric	LN5	Warm Black or Chrome	6-8 weeks	50.00 kg	3.179

Item no.	Add on	Lead time	PRICE EX. VAT (EUR)
30310002	Power outlet incl bracket (Schuko plug) *must be specified with the order	6-8 weeks	283

Legs	Finish
Solid	Powder Coated Warm Black (RAL 8022)
Steel tube	Chrome

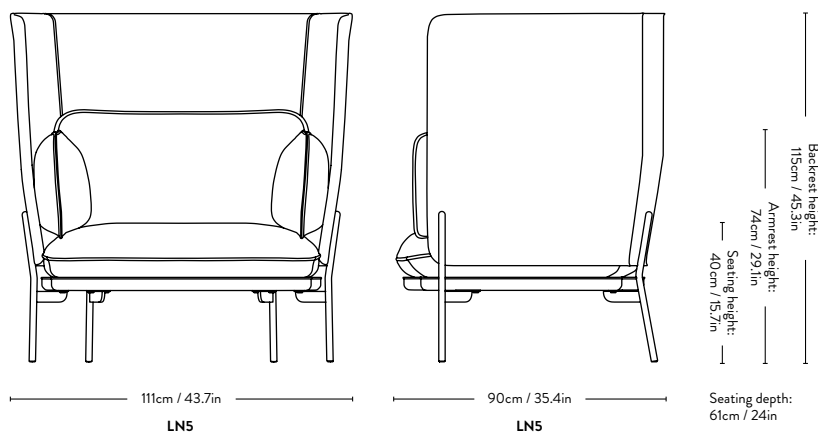
Material: Plywood, solid wood and steel base with no-zag springs. HR foam, polyester fibers and feather pillows. Solid steel legs. Fabric or leather upholstery.

Fabric usage: 12 meters based on 140cm roll.

COM must be approved by &Tradition to ensure suitability for upholstery.

Cloud LN5 is not available in COL leather.

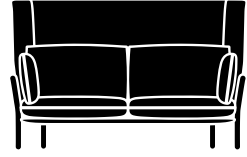
Felt gliders installed as standard.



Cloud LN6

Luca Nichetto

2017



Price gr.	Upholstery	Model	Base	Lead time	Weight	PRICE EX. VAT (EUR)
Fabric gr. 1	Canvas, Linara, Maple, Remix, Re-Wool	LN6	Warm Black or Chrome	6-8 weeks	71.00 kg	4.088
Fabric gr. 2	Clay, Divina Melange, Duke, Fiord, Hallingdal, Loop, Ritz, Ruskin, Steelcut, Steelcut Trio, Tonus, Velvet, Zero	LN6	Warm Black or Chrome	6-8 weeks	71.00 kg	4.655
Fabric gr. 3	Balder, Sisu, Sunniva, Vidar	LN6	Warm Black or Chrome	6-8 weeks	71.00 kg	5.223
Fabric gr. 4	Baru, Fuse, Karakorum, Karandash	LN6	Warm Black or Chrome	6-8 weeks	71.00 kg	7.494
Leather gr. 2	Noble	LN6	Warm Black or Chrome	6-8 weeks	71.00 kg	6.472
Fabric COM	COM Fabric	LN6	Warm Black or Chrome	6-8 weeks	71.00 kg	4.088

Item no.	Add on	Lead time	PRICE EX. VAT (EUR)
30310002	Power outlet incl bracket (Schuko plug) *must be specified with the order	6-8 weeks	283

Legs	Finish
Solid	Powder Coated Warm Black (RAL 8022)
Steel tube	Chrome

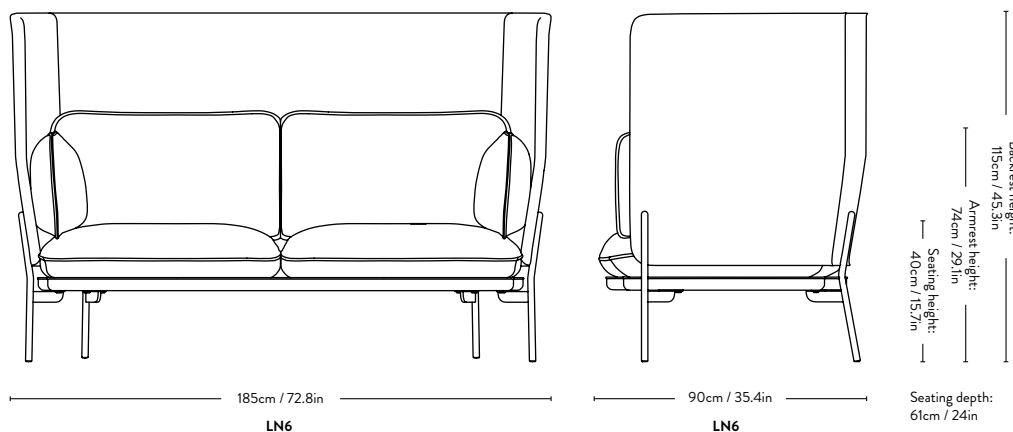
Material: Plywood, solid wood and steel base with no-zag springs. HR foam, polyester fibers and feather pillows. Solid steel legs. Fabric or leather upholstery.

Fabric usage: 17 meters based on 140cm roll.

COM must be approved by &Tradition to ensure suitability for upholstery.

Cloud LN6 is not available in COL leather.

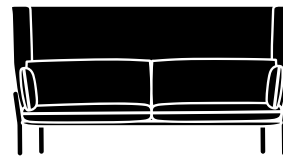
Felt gliders installed as standard.



Cloud LN7

Luca Nichetto

2017



Price gr.	Upholstery	Model	Base	Lead time	Weight	PRICE EX. VAT (EUR)
Fabric gr. 1	Canvas, Linara, Maple, Remix, Re-Wool	LN7	Warm Black or Chrome	6-8 weeks	85.00 kg	4.655
Fabric gr. 2	Clay, Divina Melange, Duke, Fiord, Hallingdal, Loop, Ritz, Ruskin, Steelcut, Steelcut Trio, Tonus, Velvet, Zero	LN7	Warm Black or Chrome	6-8 weeks	85.00 kg	5.337
Fabric gr. 3	Balder, Sisu, Sunniva, Vidar	LN7	Warm Black or Chrome	6-8 weeks	85.00 kg	6.132
Fabric gr. 4	Baru, Fuse, Karakorum, Karandash	LN7	Warm Black or Chrome	6-8 weeks	85.00 kg	9.084
Leather gr. 2	Noble	LN7	Warm Black or Chrome	6-8 weeks	85.00 kg	7.608
Fabric COM	COM Fabric	LN7	Warm Black or Chrome	6-8 weeks	85.00 kg	4.655

Item no.	Add on	Lead time	PRICE EX. VAT (EUR)
30310002	Power outlet incl bracket (Schuko plug) *must be specified with the order	6-8 weeks	283

Legs	Finish
Solid	Powder Coated Warm Black (RAL 8022)
Steel tube	Chrome

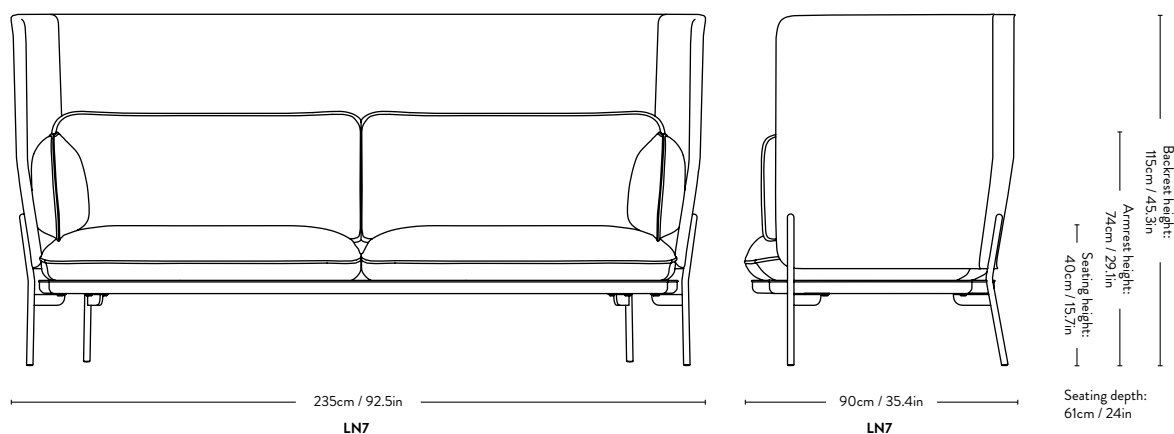
Material: Plywood, solid wood and steel base with no-zag springs. HR foam, polyester fibers and feather pillows. Solid steel legs. Fabric or leather upholstery.

Fabric usage: 18 meters based on 140cm roll.

COM must be approved by &Tradition to ensure suitability for upholstery.

Cloud LN7 is not available in COL leather.

Felt gliders installed as standard.

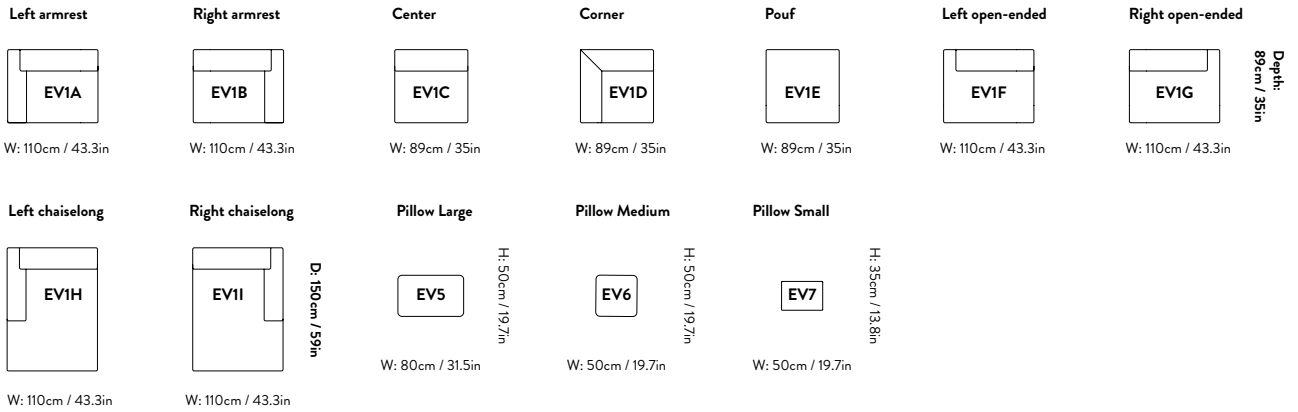


Develius ^{EV1-EV7} Edward van Vliet 2018



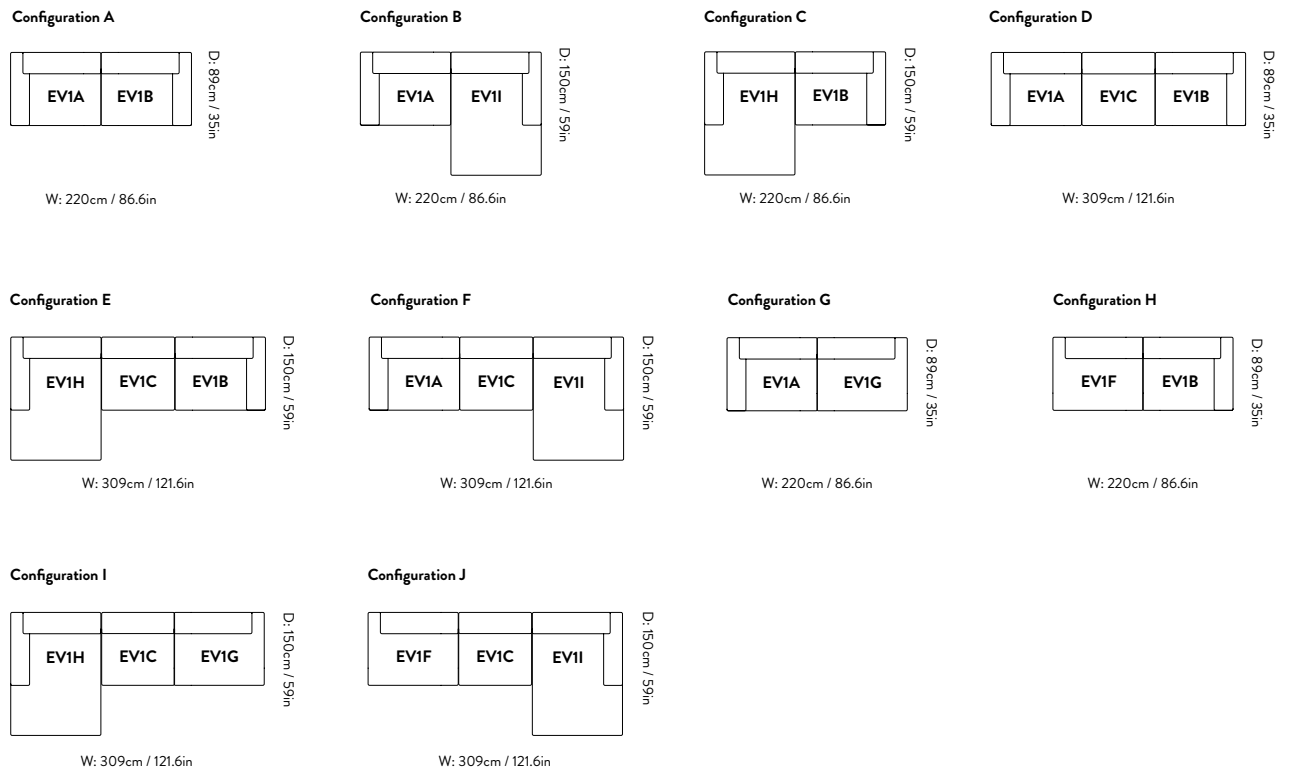
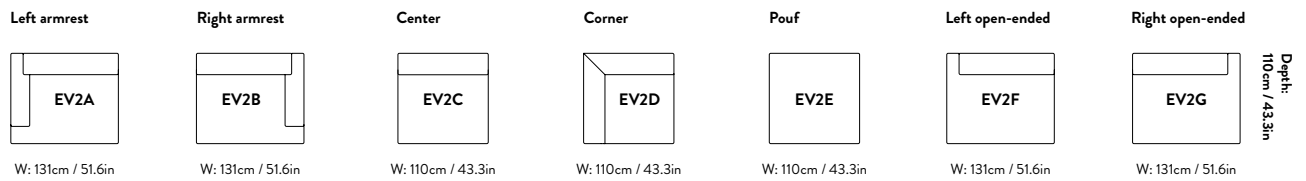
EV1 modules:

Seating Depth: 64cm / 25.2in, Seating Height: 42cm / 16.5in, Armrest Height: 60cm / 23.6in, Backrest Height: 70cm / 27.6in



EV2 modules:

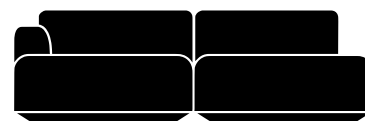
Seating Depth: 85cm / 33.5in, Seating Height: 42cm / 16.5in, Armrest Height: 60cm / 23.6in, Backrest Height: 70cm / 27.6in

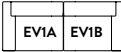
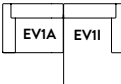
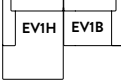
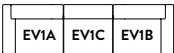
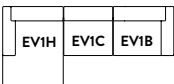
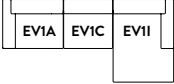


Develius

Edward van Vliet

2018



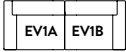
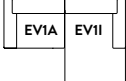
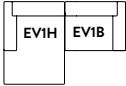
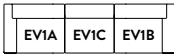
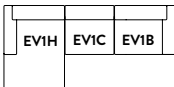
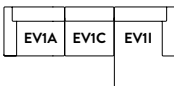
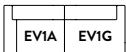
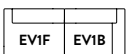
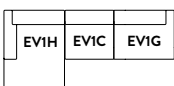
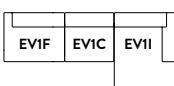
Item no.	Model	Upholstery	Lead time	PRICE EX. VAT (EUR)
70311001	Configuration A	Linara Stone 2494/266	2-4 weeks	2.951
70323001		Hallingdal 130	2-4 weeks	3.179
70321001		Velvet 01 Forest	2-4 weeks	3.179
70301001		Karakorum 003	2-4 weeks	5.450
70311002	Configuration B	Linara Stone 2494/266	2-4 weeks	3.349
70323002		Hallingdal 130	2-4 weeks	3.633
70321002		Velvet 01 Forest	2-4 weeks	3.633
70301002		Karakorum 003	2-4 weeks	6.131
70311003	Configuration C	Linara Stone 2494/266	2-4 weeks	3.349
70323003		Hallingdal 130	2-4 weeks	3.633
70321003		Velvet 01 Forest	2-4 weeks	3.633
70301003		Karakorum 003	2-4 weeks	6.131
70311004	Configuration D	Linara Stone 2494/266	2-4 weeks	4.086
70323004		Hallingdal 130	2-4 weeks	4.427
70321004		Velvet 01 Forest	2-4 weeks	4.427
70301004		Karakorum 003	2-4 weeks	7.607
70311005	Configuration E	Linara Stone 2494/266	2-4 weeks	4.484
70323005		Hallingdal 130	2-4 weeks	4.881
70321005		Velvet 01 Forest	2-4 weeks	4.881
70301005		Karakorum 003	2-4 weeks	8.288
70311006	Configuration F	Linara Stone 2494/266	2-4 weeks	4.484
70323006		Hallingdal 130	2-4 weeks	4.881
70321006		Velvet 01 Forest	2-4 weeks	4.881
70301006		Karakorum 003	2-4 weeks	8.288

Develius

Edward van Vliet

2018

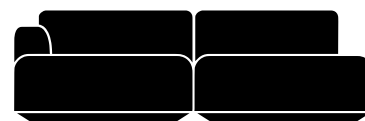


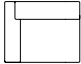

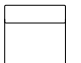
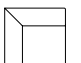

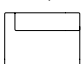
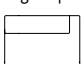
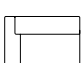
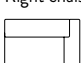
Model	Product	Upholstery options	Lead time	PRICE EX. VAT (EUR)
A	Configuration A 	· Canvas, Hot Madison, Linara, Maple, Remix, Re-Wool	6-8 weeks	2.498
		· Clay, Divina Melange, Duke, Fiord, Hallingdal, Loop, Ritz, Ruskin, Steelcut, Steelcut Trio, Velvet, Zero	6-8 weeks	2.838
		· Balder, Harald, Sisu, Sunniva, Vidar	6-8 weeks	3.520
		· Baru, Fuse, Karakorum	6-8 weeks	5.336
		· Noble	6-8 weeks	4.882
		· COM	6-8 weeks	2.498
B	Configuration B 	· Canvas, Hot Madison, Linara, Maple, Remix, Re-Wool	6-8 weeks	2.895
		· Clay, Divina Melange, Duke, Fiord, Hallingdal, Loop, Ritz, Ruskin, Steelcut, Steelcut Trio, Velvet, Zero	6-8 weeks	3.179
		· Balder, Harald, Sisu, Sunniva, Vidar	6-8 weeks	3.860
		· Baru, Fuse, Karakorum	6-8 weeks	5.790
		· Noble	6-8 weeks	5.563
		· COM	6-8 weeks	2.895
C	Configuration C 	· Canvas, Hot Madison, Linara, Maple, Remix, Re-Wool	6-8 weeks	2.895
		· Clay, Divina Melange, Duke, Fiord, Hallingdal, Loop, Ritz, Ruskin, Steelcut, Steelcut Trio, Velvet, Zero	6-8 weeks	3.179
		· Balder, Harald, Sisu, Sunniva, Vidar	6-8 weeks	3.860
		· Baru, Fuse, Karakorum	6-8 weeks	5.790
		· Noble	6-8 weeks	5.563
		· COM	6-8 weeks	2.895
D	Configuration D 	· Canvas, Hot Madison, Linara, Maple, Remix, Re-Wool	6-8 weeks	3.576
		· Clay, Divina Melange, Duke, Fiord, Hallingdal, Loop, Ritz, Ruskin, Steelcut, Steelcut Trio, Velvet, Zero	6-8 weeks	4.030
		· Balder, Harald, Sisu, Sunniva, Vidar	6-8 weeks	4.939
		· Baru, Fuse, Karakorum	6-8 weeks	7.436
		· Noble	6-8 weeks	6.869
		· COM	6-8 weeks	3.576
E	Configuration E 	· Canvas, Hot Madison, Linara, Maple, Remix, Re-Wool	6-8 weeks	3.973
		· Clay, Divina Melange, Duke, Fiord, Hallingdal, Loop, Ritz, Ruskin, Steelcut, Steelcut Trio, Velvet, Zero	6-8 weeks	4.371
		· Balder, Harald, Sisu, Sunniva, Vidar	6-8 weeks	5.279
		· Baru, Fuse, Karakorum	6-8 weeks	7.890
		· Noble	6-8 weeks	7.550
		· COM	6-8 weeks	3.973
F	Configuration F 	· Canvas, Hot Madison, Linara, Maple, Remix, Re-Wool	6-8 weeks	3.973
		· Clay, Divina Melange, Duke, Fiord, Hallingdal, Loop, Ritz, Ruskin, Steelcut, Steelcut Trio, Velvet, Zero	6-8 weeks	4.371
		· Balder, Harald, Sisu, Sunniva, Vidar	6-8 weeks	5.279
		· Baru, Fuse, Karakorum	6-8 weeks	7.890
		· Noble	6-8 weeks	7.550
		· COM	6-8 weeks	3.973
G	Configuration G 	· Canvas, Hot Madison, Linara, Maple, Remix, Re-Wool	6-8 weeks	2.441
		· Clay, Divina Melange, Duke, Fiord, Hallingdal, Loop, Ritz, Ruskin, Steelcut, Steelcut Trio, Velvet, Zero	6-8 weeks	2.724
		· Balder, Harald, Sisu, Sunniva, Vidar	6-8 weeks	3.406
		· Baru, Fuse, Karakorum	6-8 weeks	5.109
		· Noble	6-8 weeks	4.768
		· COM	6-8 weeks	2.441
H	Configuration H 	· Canvas, Hot Madison, Linara, Maple, Remix, Re-Wool	6-8 weeks	2.441
		· Clay, Divina Melange, Duke, Fiord, Hallingdal, Loop, Ritz, Ruskin, Steelcut, Steelcut Trio, Velvet, Zero	6-8 weeks	2.724
		· Balder, Harald, Sisu, Sunniva, Vidar	6-8 weeks	3.406
		· Baru, Fuse, Karakorum	6-8 weeks	5.109
		· Noble	6-8 weeks	4.768
		· COM	6-8 weeks	2.441
I	Configuration I 	· Canvas, Hot Madison, Linara, Maple, Remix, Re-Wool	6-8 weeks	3.916
		· Clay, Divina Melange, Duke, Fiord, Hallingdal, Loop, Ritz, Ruskin, Steelcut, Steelcut Trio, Velvet, Zero	6-8 weeks	4.257
		· Balder, Harald, Sisu, Sunniva, Vidar	6-8 weeks	5.165
		· Baru, Fuse, Karakorum	6-8 weeks	7.663
		· Noble	6-8 weeks	7.436
		· COM	6-8 weeks	3.916
J	Configuration J 	· Canvas, Hot Madison, Linara, Maple, Remix, Re-Wool	6-8 weeks	3.916
		· Clay, Divina Melange, Duke, Fiord, Hallingdal, Loop, Ritz, Ruskin, Steelcut, Steelcut Trio, Velvet, Zero	6-8 weeks	4.257
		· Balder, Harald, Sisu, Sunniva, Vidar	6-8 weeks	5.165
		· Baru, Fuse, Karakorum	6-8 weeks	7.663
		· Noble	6-8 weeks	7.436
		· COM	6-8 weeks	3.916

Develius ^{EV1A-EV1I}

Edward van Vliet

2018

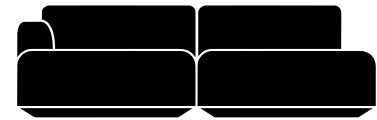





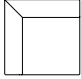
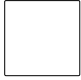


Model	Product	Upholstery	Lead time	Weight	PRICE EX. VAT (EUR)
EV1A	 Left armrest Fabric usage: 5.1m*	• Canvas, Hot Madison, Linara, Maple, Remix, Re-Wool	6-8 weeks	50.00 kg	1.476
		• Clay, Divina Melange, Duke, Fiord, Hallingdal, Loop, Ritz, Ruskin, Steelcut, Steelcut Trio, Velvet, Zero	6-8 weeks	50.00 kg	1.589
		• Balder, Harald, Sisu, Sunniva, Vidar	6-8 weeks	50.00 kg	1.930
		• Baru, Fuse, Karakorum	6-8 weeks	50.00 kg	2.725
		• Noble	6-8 weeks	50.00 kg	2.611
		• COM	6-8 weeks	50.00 kg	1.476
EV1B	 Right armrest Fabric usage: 5.1m*	• Canvas, Hot Madison, Linara, Maple, Remix, Re-Wool	6-8 weeks	50.00 kg	1.476
		• Clay, Divina Melange, Duke, Fiord, Hallingdal, Loop, Ritz, Ruskin, Steelcut, Steelcut Trio, Velvet, Zero	6-8 weeks	50.00 kg	1.589
		• Balder, Harald, Sisu, Sunniva, Vidar	6-8 weeks	50.00 kg	1.930
		• Baru, Fuse, Karakorum	6-8 weeks	50.00 kg	2.725
		• Noble	6-8 weeks	50.00 kg	2.611
		• COM	6-8 weeks	50.00 kg	1.476
EV1C	 Center Fabric usage: 3.6m*	• Canvas, Hot Madison, Linara, Maple, Remix, Re-Wool	6-8 weeks	35.00 kg	1.135
		• Clay, Divina Melange, Duke, Fiord, Hallingdal, Loop, Ritz, Ruskin, Steelcut, Steelcut Trio, Velvet, Zero	6-8 weeks	35.00 kg	1.249
		• Balder, Harald, Sisu, Sunniva, Vidar	6-8 weeks	35.00 kg	1.476
		• Baru, Fuse, Karakorum	6-8 weeks	35.00 kg	2.157
		• Noble	6-8 weeks	35.00 kg	2.043
		• COM	6-8 weeks	35.00 kg	1.135
EV1D	 Corner Fabric usage: 5.3m*	• Canvas, Hot Madison, Linara, Maple, Remix, Re-Wool	6-8 weeks	43.00 kg	1.476
		• Clay, Divina Melange, Duke, Fiord, Hallingdal, Loop, Ritz, Ruskin, Steelcut, Steelcut Trio, Velvet, Zero	6-8 weeks	43.00 kg	1.589
		• Balder, Harald, Sisu, Sunniva, Vidar	6-8 weeks	43.00 kg	1.930
		• Baru, Fuse, Karakorum	6-8 weeks	43.00 kg	2.725
		• Noble	6-8 weeks	43.00 kg	2.611
		• COM	6-8 weeks	43.00 kg	1.476
EV1E	 Pouf Fabric usage: 1.9m*	• Canvas, Hot Madison, Linara, Maple, Remix, Re-Wool	6-8 weeks	26.00 kg	1.021
		• Clay, Divina Melange, Duke, Fiord, Hallingdal, Loop, Ritz, Ruskin, Steelcut, Steelcut Trio, Velvet, Zero	6-8 weeks	26.00 kg	1.135
		• Balder, Harald, Sisu, Sunniva, Vidar	6-8 weeks	26.00 kg	1.249
		• Baru, Fuse, Karakorum	6-8 weeks	26.00 kg	1.703
		• Noble	6-8 weeks	26.00 kg	1.703
		• COM	6-8 weeks	26.00 kg	1.021
EV1F	 Left open-ended Fabric usage: 4.2m*	• Canvas, Hot Madison, Linara, Maple, Remix, Re-Wool	6-8 weeks	43.00 kg	1.419
		• Clay, Divina Melange, Duke, Fiord, Hallingdal, Loop, Ritz, Ruskin, Steelcut, Steelcut Trio, Velvet, Zero	6-8 weeks	43.00 kg	1.476
		• Balder, Harald, Sisu, Sunniva, Vidar	6-8 weeks	43.00 kg	1.816
		• Baru, Fuse, Karakorum	6-8 weeks	43.00 kg	2.498
		• Noble	6-8 weeks	43.00 kg	2.498
		• COM	6-8 weeks	43.00 kg	1.419
EV1G	 Right open-ended Fabric usage: 4.2m*	• Canvas, Hot Madison, Linara, Maple, Remix, Re-Wool	6-8 weeks	43.00 kg	1.419
		• Clay, Divina Melange, Duke, Fiord, Hallingdal, Loop, Ritz, Ruskin, Steelcut, Steelcut Trio, Velvet, Zero	6-8 weeks	43.00 kg	1.476
		• Balder, Harald, Sisu, Sunniva, Vidar	6-8 weeks	43.00 kg	1.816
		• Baru, Fuse, Karakorum	6-8 weeks	43.00 kg	2.498
		• Noble	6-8 weeks	43.00 kg	2.498
		• COM	6-8 weeks	43.00 kg	1.419
EV1H	 Left chaiselong Fabric usage: 5.9m*	• Canvas, Hot Madison, Linara, Maple, Remix, Re-Wool	6-8 weeks	70.00 kg	1.873
		• Clay, Divina Melange, Duke, Fiord, Hallingdal, Loop, Ritz, Ruskin, Steelcut, Steelcut Trio, Velvet, Zero	6-8 weeks	70.00 kg	2.043
		• Balder, Harald, Sisu, Sunniva, Vidar	6-8 weeks	70.00 kg	2.498
		• Baru, Fuse, Karakorum	6-8 weeks	70.00 kg	3.406
		• Noble	6-8 weeks	70.00 kg	3.406
		• COM	6-8 weeks	70.00 kg	1.873
EV1I	 Right chaiselong Fabric usage: 5.9m*	• Canvas, Hot Madison, Linara, Maple, Remix, Re-Wool	6-8 weeks	70.00 kg	1.873
		• Clay, Divina Melange, Duke, Fiord, Hallingdal, Loop, Ritz, Ruskin, Steelcut, Steelcut Trio, Velvet, Zero	6-8 weeks	70.00 kg	2.043
		• Balder, Harald, Sisu, Sunniva, Vidar	6-8 weeks	70.00 kg	2.498
		• Baru, Fuse, Karakorum	6-8 weeks	70.00 kg	3.406
		• Noble	6-8 weeks	70.00 kg	3.406
		• COM	6-8 weeks	70.00 kg	1.873

Develius EV2A-EV2G

Edward van Vliet

2018



Model	Product	Upholstery	Lead time	Weight	PRICE EX. VAT (EUR)
EV2A	 Left armrest Fabric usage: 5.5m*	• Canvas, Hot Madison, Linara, Maple, Remix, Re-Wool	6-8 weeks	63.00 kg	1.816
		• Clay, Divina Melange, Duke, Fiord, Hallingdal, Loop, Ritz, Ruskin, Steelcut, Steelcut Trio, Velvet, Zero	6-8 weeks	63.00 kg	2.043
		• Balder, Harald, Sisu, Sunniva, Vidar	6-8 weeks	63.00 kg	2.327
		• Baru, Fuse, Karakorum	6-8 weeks	63.00 kg	3.179
		• COM	6-8 weeks	63.00 kg	1.816
EV2B	 Right armrest Fabric usage: 5.5m*	• Canvas, Hot Madison, Linara, Maple, Remix, Re-Wool	6-8 weeks	63.00 kg	1.816
		• Clay, Divina Melange, Duke, Fiord, Hallingdal, Loop, Ritz, Ruskin, Steelcut, Steelcut Trio, Velvet, Zero	6-8 weeks	63.00 kg	2.043
		• Balder, Harald, Sisu, Sunniva, Vidar	6-8 weeks	63.00 kg	2.327
		• Baru, Fuse, Karakorum	6-8 weeks	63.00 kg	3.179
		• COM	6-8 weeks	63.00 kg	1.816
EV2C	 Center Fabric usage: 4.2m*	• Canvas, Hot Madison, Linara, Maple, Remix, Re-Wool	6-8 weeks	48.00 kg	1.476
		• Clay, Divina Melange, Duke, Fiord, Hallingdal, Loop, Ritz, Ruskin, Steelcut, Steelcut Trio, Velvet, Zero	6-8 weeks	48.00 kg	1.589
		• Balder, Harald, Sisu, Sunniva, Vidar	6-8 weeks	48.00 kg	1.816
		• Baru, Fuse, Karakorum	6-8 weeks	48.00 kg	2.498
		• COM	6-8 weeks	48.00 kg	1.476
EV2D	 Corner Fabric usage: 5.7m*	• Canvas, Hot Madison, Linara, Maple, Remix, Re-Wool	6-8 weeks	57.00 kg	1.646
		• Clay, Divina Melange, Duke, Fiord, Hallingdal, Loop, Ritz, Ruskin, Steelcut, Steelcut Trio, Velvet, Zero	6-8 weeks	57.00 kg	1.760
		• Balder, Harald, Sisu, Sunniva, Vidar	6-8 weeks	57.00 kg	2.100
		• Baru, Fuse, Karakorum	6-8 weeks	57.00 kg	3.009
		• COM	6-8 weeks	57.00 kg	1.646
EV2E	 Pouf Fabric usage: 3m*	• Canvas, Hot Madison, Linara, Maple, Remix, Re-Wool	6-8 weeks	32.00 kg	1.249
		• Clay, Divina Melange, Duke, Fiord, Hallingdal, Loop, Ritz, Ruskin, Steelcut, Steelcut Trio, Velvet, Zero	6-8 weeks	32.00 kg	1.362
		• Balder, Harald, Sisu, Sunniva, Vidar	6-8 weeks	32.00 kg	1.589
		• Baru, Fuse, Karakorum	6-8 weeks	32.00 kg	2.043
		• COM	6-8 weeks	32.00 kg	1.249
EV2F	 Left open-ended Fabric usage: 4.8m*	• Canvas, Hot Madison, Linara, Maple, Remix, Re-Wool	6-8 weeks	57.00 kg	1.760
		• Clay, Divina Melange, Duke, Fiord, Hallingdal, Loop, Ritz, Ruskin, Steelcut, Steelcut Trio, Velvet, Zero	6-8 weeks	57.00 kg	1.930
		• Balder, Harald, Sisu, Sunniva, Vidar	6-8 weeks	57.00 kg	2.214
		• Baru, Fuse, Karakorum	6-8 weeks	57.00 kg	2.952
		• COM	6-8 weeks	57.00 kg	1.760
EV2G	 Right open-ended Fabric usage: 4.8m*	• Canvas, Hot Madison, Linara, Maple, Remix, Re-Wool	6-8 weeks	57.00 kg	1.760
		• Clay, Divina Melange, Duke, Fiord, Hallingdal, Loop, Ritz, Ruskin, Steelcut, Steelcut Trio, Velvet, Zero	6-8 weeks	57.00 kg	1.816
		• Balder, Harald, Sisu, Sunniva, Vidar	6-8 weeks	57.00 kg	2.157
		• Baru, Fuse, Karakorum	6-8 weeks	57.00 kg	2.952
		• COM	6-8 weeks	57.00 kg	1.760
30310010		Power outlet incl bracket (Schuko plug) *must be specified with the order	6-8 weeks		283

* Fabric usage is based on a 140cm roll

Material: Wooden frame, no-zag springs, HR foam and polyester wadding. Metal brackets for connecting modules.

COM must be approved by &Tradition to ensure suitability for upholstery.

Develius EV2-EV7 is not available in leather.

Felt gliders installed as standard.

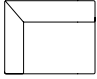
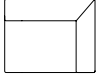
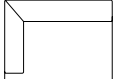
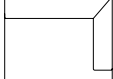
NEW

Develius

Edward van Vliet

2018



Model	Product	Upholstery	Lead time	Weight	PRICE EX. VAT (EUR)
EV1J	Left armrest 	• Canvas, Hot Madison, Linara, Maple, Remix, Re-Wool	6-8 weeks		1.249
		• Clay, Divina Melange, Duke, Fiord, Hallingdal, Loop, Ritz, Ruskin, Steelcut, Steelcut Trio, Velvet, Zero	6-8 weeks		1.419
		• Balder, Harald, Sisu, Sunniva, Vidar	6-8 weeks		1.760
		• Baru, Fuse, Karakorum	6-8 weeks		2.668
		• Noble	6-8 weeks		2.441
	Fabric usage:	• COM	6-8 weeks		1.249
EV1K	Right armrest 	• Canvas, Hot Madison, Linara, Maple, Remix, Re-Wool	6-8 weeks		1.249
		• Clay, Divina Melange, Duke, Fiord, Hallingdal, Loop, Ritz, Ruskin, Steelcut, Steelcut Trio, Velvet, Zero	6-8 weeks		1.419
		• Balder, Harald, Sisu, Sunniva, Vidar	6-8 weeks		1.760
		• Baru, Fuse, Karakorum	6-8 weeks		2.668
		• Noble	6-8 weeks		2.441
	Fabric usage:	• COM	6-8 weeks		1.249
EV2J	Left armrest 	• Canvas, Hot Madison, Linara, Maple, Remix, Re-Wool	6-8 weeks		1.589
		• Clay, Divina Melange, Duke, Fiord, Hallingdal, Loop, Ritz, Ruskin, Steelcut, Steelcut Trio, Velvet, Zero	6-8 weeks		1.760
		• Balder, Harald, Sisu, Sunniva, Vidar	6-8 weeks		2.100
		• Baru, Fuse, Karakorum	6-8 weeks		3.009
		• Noble	6-8 weeks		
	Fabric usage:	• COM	6-8 weeks		1.589
EV2K	Right armrest 	• Canvas, Hot Madison, Linara, Maple, Remix, Re-Wool	6-8 weeks		1.589
		• Clay, Divina Melange, Duke, Fiord, Hallingdal, Loop, Ritz, Ruskin, Steelcut, Steelcut Trio, Velvet, Zero	6-8 weeks		1.760
		• Balder, Harald, Sisu, Sunniva, Vidar	6-8 weeks		2.100
		• Baru, Fuse, Karakorum	6-8 weeks		3.009
		• Noble	6-8 weeks		
	Fabric usage:	• COM	6-8 weeks		1.589

* Fabric usage is based on a 140cm roll

EV1 modules:

Seating Depth: 64cm / 25.2in, Seating Height: 42cm / 16.5in,
 Armrest Height: 70cm / 23.6in, Backrest Height: 70cm / 27.6in

Left armrest



W: 110cm / 43.3in

Right armrest

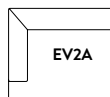


W: 110cm / 43.3in

EV2 modules:

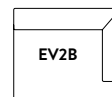
Seating Depth: 85cm / 33.5in, Seating Height: 42cm / 16.5in,
 Armrest Height: 70cm / 23.6in, Backrest Height: 70cm / 27.6in

Left armrest



W: 131cm / 51.6in

Right armrest



W: 131cm / 51.6in

Develius ^{EV5-EV7} Edward van Vliet 2018



Model	Product	Upholstery	Lead time	Weight	PRICE EX. VAT (EUR)
EV5	Pillow, large 	• Canvas, Hot Madison, Linara, Maple, Remix, Re-Wool	6-8 weeks	5.50 kg	181
		• Clay, Divina Melange, Duke, Fiord, Hallingdal, Loop, Ritz, Ruskin, Steelcut, Steelcut Trio, Velvet, Zero	6-8 weeks	5.50 kg	204
	Fabric usage: 1.3m*	• Balder, Harald, Sisu, Sunniva, Vidar	6-8 weeks	5.50 kg	272
		• Baru, Fuse, Karakorum	6-8 weeks	5.50 kg	420
		• COM	6-8 weeks	5.50 kg	181
EV6	Pillow, medium 	• Canvas, Hot Madison, Linara, Maple, Remix, Re-Wool	6-8 weeks	2.70 kg	147
		• Clay, Divina Melange, Duke, Fiord, Hallingdal, Loop, Ritz, Ruskin, Steelcut, Steelcut Trio, Velvet, Zero	6-8 weeks	2.70 kg	170
	Fabric usage: 0.8m*	• Balder, Harald, Sisu, Sunniva, Vidar	6-8 weeks	2.70 kg	204
		• Baru, Fuse, Karakorum	6-8 weeks	2.70 kg	306
		• COM	6-8 weeks	2.70 kg	147
EV7	Pillow, small 	• Canvas, Hot Madison, Linara, Maple, Remix, Re-Wool	6-8 weeks	1.30 kg	113
		• Clay, Divina Melange, Duke, Fiord, Hallingdal, Loop, Ritz, Ruskin, Steelcut, Steelcut Trio, Velvet, Zero	6-8 weeks	1.30 kg	124
	Fabric usage: 0.5m*	• Balder, Harald, Sisu, Sunniva, Vidar	6-8 weeks	1.30 kg	147
		• Baru, Fuse, Karakorum	6-8 weeks	1.30 kg	215
		• COM	6-8 weeks	1.30 kg	113

* Fabric usage is based on a 140cm roll

Material: Feather filling

COM must be approved by &Tradition to ensure suitability for upholstery.

Develius EV2-EV7 is not available in leather.



w: 80cm / 31.5in

EV5



w: 50cm / 19.7in

EV6



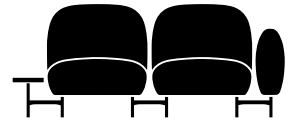
w: 50cm / 19.7in

EV7

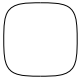

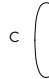


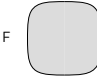
Isole NN1A-NN1G

Nendo & Luca Nichetto

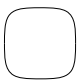
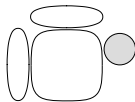
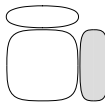
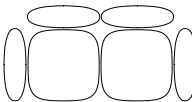
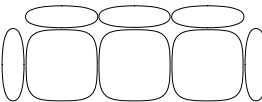
2017



Dimensions

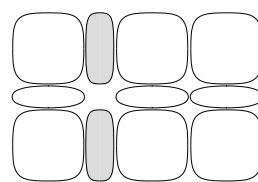
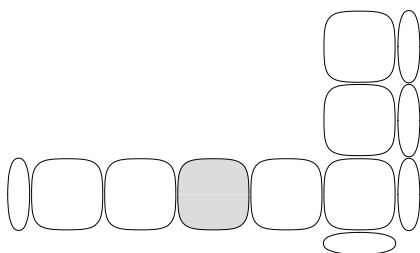
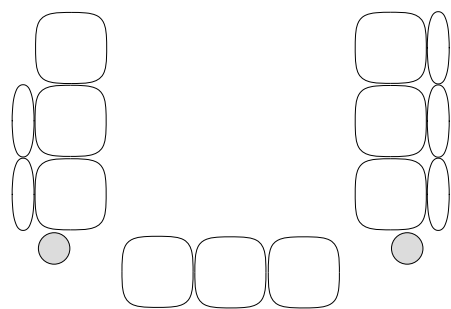
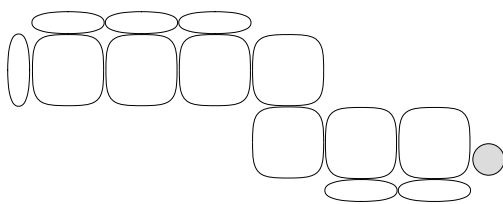
Seat	Back	Armrest	Round Table	Rectangular Table	Square Table
A  D: 65cm / 25.6in	B  D: 20cm / 7.9in	C  D: 67cm / 26.4in	D  Ø: 30cm / 11.8in	E  D: 65cm / 25.6in	F  D: 65cm / 25.6in
W: 65cm / 25.6in	W: 67cm / 26.4in	W: 20cm / 7.9in		w: 20cm / 7.9in	w: 65cm / 25.6in

Simple configurations

 D: 65cm / 25.59in	 w: 118.6cm / 46.69in	 w: 87.5cm / 34.4in	 w: 176cm / 69.3in	 w: 242.2cm / 95.35in	D: 87.6 cm / 34.48 in
--	---	---	---	---	-----------------------

Configurations

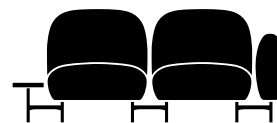
Please visit: <https://isole.andtradition.com> to configure your own Isole.



Isole NN1A-NN1G

Nendo & Luca Nichetto

2017



Item code	Upholstery	Model	Product	Lead time	PRICE EX. VAT (EUR)
Fabric gr. 1	Canvas, Remix	NN1A	Seat	6-8 weeks	567
		NN1B	Back	6-8 weeks	454
		NN1C	Arm	6-8 weeks	397
Fabric gr. 2	Hallingdal, Uniform Melange	NN1A	Seat	6-8 weeks	681
		NN1B	Back	6-8 weeks	567
		NN1C	Arm	6-8 weeks	454
Fabric gr. 4	Baru, Gentle	NN1A	Seat	6-8 weeks	1.021
		NN1B	Back	6-8 weeks	794
		NN1C	Arm	6-8 weeks	681

Item code	Table top finishes	Model	Product	Lead time	PRICE EX. VAT (EUR)
NN	Fenix laminate Black	NN1D	Round Table	6-8 weeks	340
		NN1E	Rectangular Table	6-8 weeks	363
		NN1F	Square Table	6-8 weeks	567
30310002	Power outlet incl bracket (Schuko plug) *must be specified with the order				283

Item code	Base	Model	Lead time	PRICE EX. VAT (EUR)
NN	Optional floor fixing set (2 pcs in one set)	NN1G	3-6 weeks	113

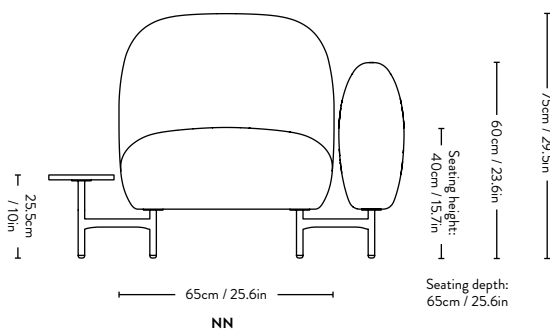
Base	Colour
------	--------

Steel	Black
-------	-------

Material: Powder coated steel base, moulded HR foam seat, backrest and armrest. Black MDF table tops with nano laminate surface.

Modular system including base. Use model-app for configuration: <https://isole.andtradition.com>.

Plastic gliders installed as standard.



Fly SC10 Space Copenhagen 2017



Item no.	Product	Base	Model	Colli qty.	Lead time	Weight	PRICE EX. VAT (EUR)
65173001	Hot Madison 094	White Oiled Oak	SC10	1 pc	1-2 weeks	22.00 kg	1.816
65173002	Hot Madison 093	Smoked Oiled Oak	SC10	1 pc	1-2 weeks	22.00 kg	1.816
65173014	Velvet 10 Twilight	Smoked Oiled Oak	SC10	1 pc	1-2 weeks	22.00 kg	1.930
65173015	Karakorum 003	White Oiled Oak	SC10	1 pc	1-2 weeks	22.00 kg	2.327
65173016	Karakorum 003	Smoked Oiled Oak	SC10	1 pc	1-2 weeks	22.00 kg	2.327

Item no.	Upholstery	Model	Lead time	Weight	PRICE EX. VAT (EUR)
Fabric gr. 1	Canvas, Linara, Maple, Remix, Re-Wool	SC10	6-8 weeks	22.00 kg	1.930
Fabric gr. 2	Divina Melange, Duke, Fiord, Hallingdal, Loop, Ritz, Ruskin, Steelcut, Steelcut Trio, Tonus, Velvet, Zero	SC10	6-8 weeks	22.00 kg	1.987
Fabric gr. 3	Balder, Harald, Sisu, Sunniva, Vidar	SC10	6-8 weeks	22.00 kg	2.214
Fabric gr. 4	Baru, Fuse, Karakorum, Karandash	SC10	6-8 weeks	22.00 kg	2.498
Fabric COM	COM Fabric	SC10	6-8 weeks	22.00 kg	1.930

Item no.	Add on	Lead time	Weight	PRICE EX. VAT (EUR)
65151000-3	Fly high legs - White Oiled Oak (providing a seating height of 46cm / 18.1in)	Stock item	1.50 kg	90
65151100-3	Fly high legs - Smoked Oiled Oak (providing a seating height of 46cm / 18.1in)	Stock item	1.50 kg	90

Frame	Finish
Oak	White Oiled Oak, Smoked Oiled Oak

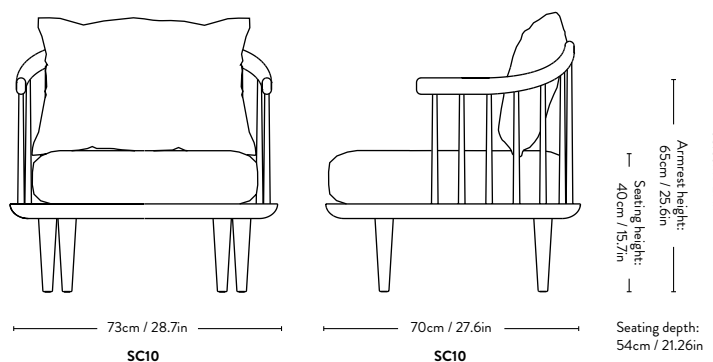
Material: Oiled oak frame and base. HR foam & feather pillows.

Fabric usage: 3 meters based on 140cm roll.

COM must be approved by &Tradition to ensure suitability for upholstery.

Fly SC10 is not available in leather.

Felt gliders installed as standard.



Fly^{SC1} Space Copenhagen 2013



Item no.	Product	Base	Model	Colli qty.	Lead time	Weight	PRICE EX. VAT (EUR)
65113001	Hot Madison 094	White Oiled Oak	SC1	1 pc	1-2 weeks	30.00 kg	1.930
65113002	Hot Madison 093	Smoked Oiled Oak	SC1	1 pc	1-2 weeks	30.00 kg	1.930
65113014	Velvet 10 Twilight	Smoked Oiled Oak	SC1	1 pc	1-2 weeks	30.00 kg	2.157
65113015	Karakorum 003	White Oiled Oak	SC1	1 pc	1-2 weeks	30.00 kg	2.498
65113016	Karakorum 003	Smoked Oiled Oak	SC1	1 pc	1-2 weeks	30.00 kg	2.498

Item no.	Upholstery	Model	Lead time	Weight	PRICE EX. VAT (EUR)
Fabric gr. 1	Canvas, Linara, Maple, Remix, Re-Wool	SC1	6-8 weeks	30.00 kg	2.043
Fabric gr. 2	Divina Melange, Duke, Fiord, Hallingdal, Loop, Ritz, Ruskin, Steelcut, Steelcut Trio, Tonus, Velvet, Zero	SC1	6-8 weeks	30.00 kg	2.271
Fabric gr. 3	Balder, Harald, Sisu, Sunniva, Vidar	SC1	6-8 weeks	30.00 kg	2.498
Fabric gr. 4	Baru, Fuse, Karakorum, Karandash	SC1	6-8 weeks	30.00 kg	2.838
Fabric COM	COM Fabric	SC1	6-8 weeks	30.00 kg	2.043

Item no.	Add on	Lead time	Weight	PRICE EX. VAT (EUR)
65151000-3	Fly high legs - White Oiled Oak (providing a seating height of 46cm / 18.1in)	Stock item	1.50 kg	90
65151100-3	Fly high legs - Smoked Oiled Oak (providing a seating height of 46cm / 18.1in)	Stock item	1.50 kg	90

Frame	Finish
Oak	White Oiled Oak, Smoked Oiled Oak

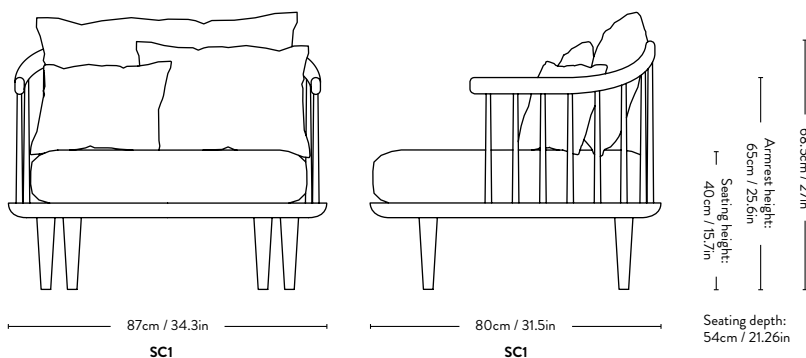
Material: Oiled oak frame and base. HR foam & feather pillows.

Fabric usage: 3.5 meters based on 140cm roll.

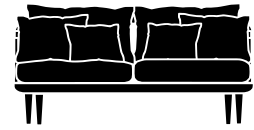
COM must be approved by &Tradition to ensure suitability for upholstery.

Fly SC1 is not available in leather.

Felt gliders installed as standard.



Fly SC2 Space Copenhagen 2013



Item no.	Product	Base	Model	Colli qty.	Lead time	Weight	PRICE EX. VAT (EUR)
65123001	Hot Madison 094	White Oiled Oak	SC2	1 pc	1-2 weeks	60.00 kg	3.406
65123002	Hot Madison 093	Smoked Oiled Oak	SC2	1 pc	1-2 weeks	60.00 kg	3.406
65123014	Velvet 10 Twilight	Smoked Oiled Oak	SC2	1 pc	1-2 weeks	60.00 kg	3.747
65123015	Karakorum 003	White Oiled Oak	SC2	1 pc	1-2 weeks	60.00 kg	4.542
65123016	Karakorum 003	Smoked Oiled Oak	SC2	1 pc	1-2 weeks	60.00 kg	4.542

Item no.	Upholstery	Model	Lead time	Weight	PRICE EX. VAT (EUR)
Fabric gr. 1	Canvas, Linara, Maple, Remix, Re-Wool	SC2	6-8 weeks	60.00 kg	3.633
Fabric gr. 2	Divina Melange, Duke, Fiord, Hallingdal, Loop, Ritz, Ruskin, Steelcut, Steelcut Trio, Tonus, Velvet, Zero	SC2	6-8 weeks	60.00 kg	3.974
Fabric gr. 3	Balder, Harald, Sisu, Sunniva, Vidar	SC2	6-8 weeks	60.00 kg	4.315
Fabric gr. 4	Baru, Fuse, Karakorum, Karandash	SC2	6-8 weeks	60.00 kg	5.110
Fabric COM	COM Fabric	SC2	6-8 weeks	60.00 kg	3.633

Item no.	Add on	Lead time	Weight	PRICE EX. VAT (EUR)
65151000-3	Fly high legs - White Oiled Oak (providing a seating height of 46cm / 18.1in)	Stock item	1.50 kg	90
65151100-3	Fly high legs - Smoked Oiled Oak (providing a seating height of 46cm / 18.1in)	Stock item	1.50 kg	90

Frame	Finish
Oak	White Oiled Oak, Smoked Oiled Oak

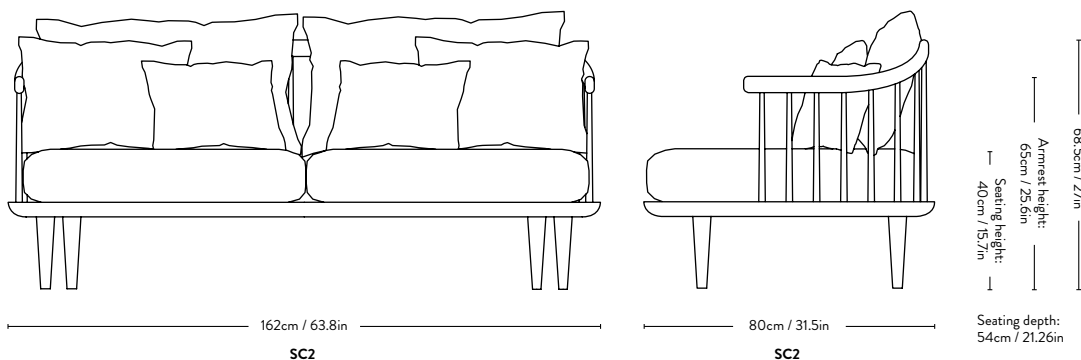
Material: Oiled oak frame and base. HR foam & feather pillows.

Fabric usage: 6.5 meters based on 140cm roll.

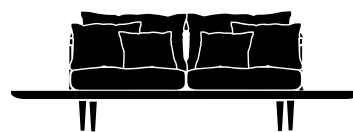
COM must be approved by &Tradition to ensure suitability for upholstery.

Fly SC2 is not available in leather.

Felt gliders installed as standard.



Fly SC3 Space Copenhagen 2013



Item no.	Product	Base	Model	Colli qty.	Lead time	Weight	PRICE EX. VAT (EUR)
65133001	Hot Madison 094	White Oiled Oak	SC3	1 pc	1-2 weeks	70.00 kg	3.633
65133002	Hot Madison 093	Smoked Oiled Oak	SC3	1 pc	1-2 weeks	70.00 kg	3.633
65133014	Velvet 10 Twilight	Smoked Oiled Oak	SC3	1 pc	1-2 weeks	70.00 kg	4.088
65133015	Karakorum 003	White Oiled Oak	SC3	1 pc	1-2 weeks	70.00 kg	4.826
65133016	Karakorum 003	Smoked Oiled Oak	SC3	1 pc	1-2 weeks	70.00 kg	4.826

Item no.	Upholstery	Model	Lead time	Weight	PRICE EX. VAT (EUR)
Fabric gr. 1	Canvas, Linara, Maple, Remix, Re-Wool	SC3	6-8 weeks	70.00 kg	3.974
Fabric gr. 2	Divina Melange, Duke, Fiord, Hallingdal, Loop, Ritz, Ruskin, Steelcut, Steelcut Trio, Tonus, Velvet, Zero	SC3	6-8 weeks	70.00 kg	4.315
Fabric gr. 3	Balder, Harald, Sisu, Sunniva, Vidar	SC3	6-8 weeks	70.00 kg	4.655
Fabric gr. 4	Baru, Fuse, Karakorum, Karandash	SC3	6-8 weeks	70.00 kg	5.450
Fabric COM	COM Fabric	SC3	6-8 weeks	70.00 kg	3.974

Item no.	Add on	Lead time	Weight	PRICE EX. VAT (EUR)
65151000-3	Fly high legs - White Oiled Oak (providing a seating height of 46cm / 18.1in)	Stock item	1.50 kg	90
65151100-3	Fly high legs - Smoked Oiled Oak (providing a seating height of 46cm / 18.1in)	Stock item	1.50 kg	90

Frame	Finish
Oak	White Oiled Oak, Smoked Oiled Oak

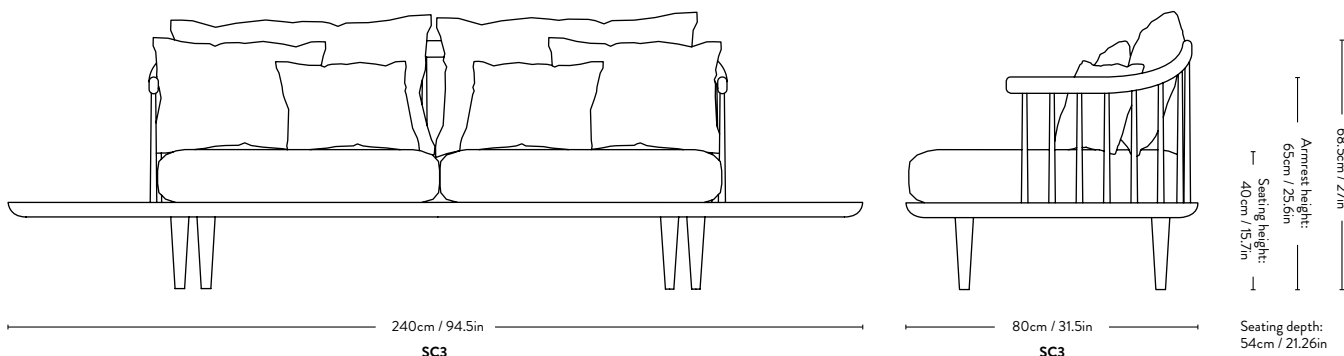
Material: Oiled oak frame and base. HR foam & feather pillows.

Fabric usage: 6.5 meters based on 140cm roll.

COM must be approved by &Tradition to ensure suitability for upholstery.

Fly SC3 is not available in leather.

Felt gliders installed as standard.



Fly SC12

Space Copenhagen 2017



Item no.	Product	Base	Model	Colli qty.	Lead time	Weight	PRICE EX. VAT (EUR)
65193001	Hot Madison 094	White Oiled Oak	SC12	1 pc	6-8 weeks	80.00 kg	5.110
65193002	Hot Madison 093	Smoked Oiled Oak	SC12	1 pc	6-8 weeks	80.00 kg	5.110
65193015	Karakorum 003	White Oiled Oak	SC12	1 pc	6-8 weeks	80.00 kg	6.472
65193016	Karakorum 003	Smoked Oiled Oak	SC12	1 pc	6-8 weeks	80.00 kg	6.472

Item no.	Upholstery	Model	Lead time	Weight	PRICE EX. VAT (EUR)
Fabric gr. 1	Canvas, Linara, Maple, Remix, Re-Wool	SC12	6-8 weeks	80.00 kg	5.110
Fabric gr. 2	Divina Melange, Duke, Fiord, Hallingdal, Loop, Ritz, Ruskin, Steelcut, Steelcut Trio, Tonus, Velvet, Zero	SC12	6-8 weeks	80.00 kg	5.450
Fabric gr. 3	Balder, Harald, Sisu, Sunniva, Vidar	SC12	6-8 weeks	80.00 kg	5.904
Fabric gr. 4	Baru, Fuse, Karakorum, Karandash	SC12	6-8 weeks	80.00 kg	7.381
Fabric COM	COM Fabric	SC12	6-8 weeks	80.00 kg	5.110

Item no.	Add on	Lead time	Weight	PRICE EX. VAT (EUR)
65151000-3	Fly high legs - White Oiled Oak (providing a seating height of 46cm / 18.1in)	Stock item	1.50 kg	90
65151100-3	Fly high legs - Smoked Oiled Oak (providing a seating height of 46cm / 18.1in)	Stock item	1.50 kg	90

Frame	Finish
Oak	White Oiled Oak, Smoked Oiled Oak

Material: Oiled oak frame and base. HR foam and feather pillows. Fabric upholstery.

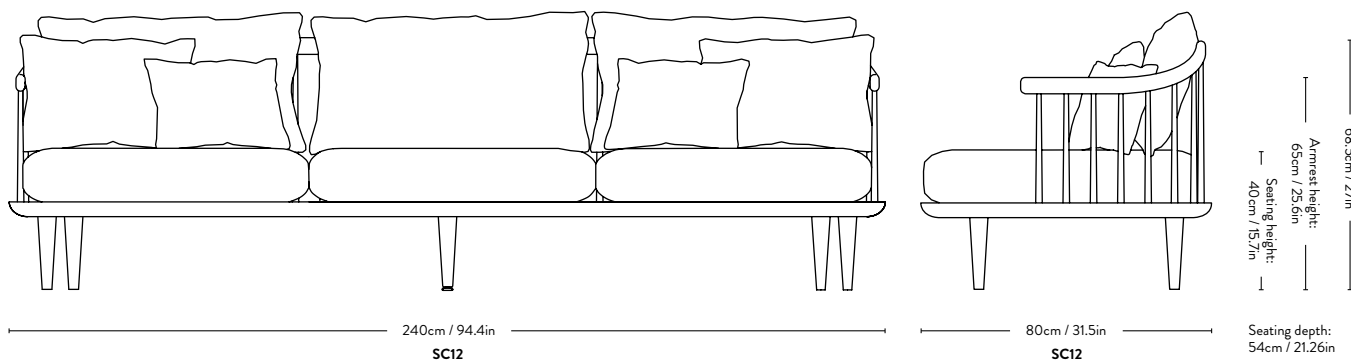
Fabric usage: 8 meters based on 140cm roll.

COM must be approved by &Tradition to ensure suitability for upholstery.

Fly SC12 is not available in leather.

High legs for Fly SC12 available upon request.

Felt gliders installed as standard.



Fly^{SC9} Space Copenhagen 2014



Item no.	Upholstery	Model	Lead time	Weight	PRICE EX. VAT (EUR)
Fabric gr. 1	Canvas, Linara, Maple, Remix, Re-Wool	SC9	6-8 weeks	27.00 kg	1.135
Fabric gr. 2	Divina Melange, Duke, Fiord, Hallingdal, Loop, Ritz, Ruskin, Steelcut, Steelcut Trio, Tonus, Velvet, Zero	SC9	6-8 weeks	27.00 kg	1.249
Fabric gr. 3	Balder, Harald, Sisu, Sunniva, Vidar	SC9	6-8 weeks	27.00 kg	1.362
Fabric gr. 4	Baru, Fuse, Karakorum, Karandash	SC9	6-8 weeks	27.00 kg	1.589
Fabric COM	COM Fabric	SC9	6-8 weeks	27.00 kg	1.135

Item no.	Add on	Lead time	Weight	PRICE EX. VAT (EUR)
65151000-3	Fly high legs - White Oiled Oak (providing a seating height of 46cm / 18.1in)	Stock item	1.50 kg	90
65151100-3	Fly high legs - Smoked Oiled Oak (providing a seating height of 46cm / 18.1in)	Stock item	1.50 kg	90

Frame	Finish
Oak	White Oiled Oak, Smoked Oiled Oak

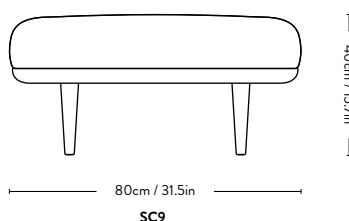
Material: Oiled oak base. HR foam & feather pillow.

Fabric usage: 1.8 meters based on 140cm roll.

COM must be approved by &Tradition to ensure suitability for upholstery.

Fly SC9 is not available in leather.

Felt gliders installed as standard.



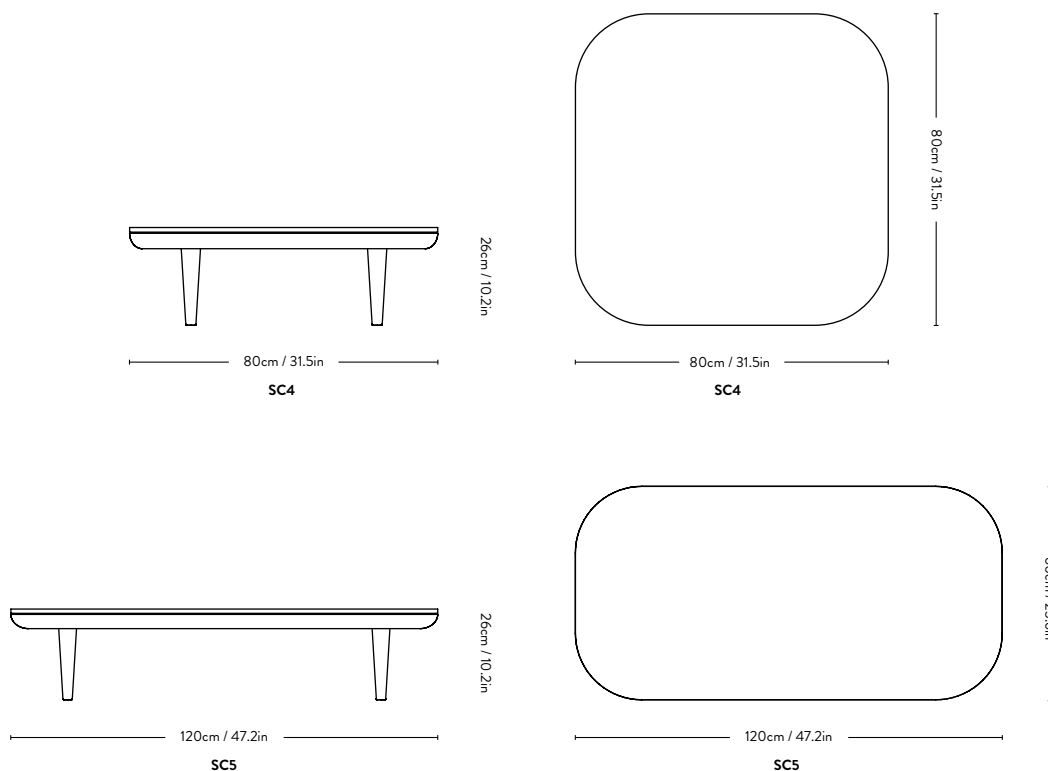
Fly SC4 & SC5 Space Copenhagen 2013



Item no.	Product	Model	Colli qty.	Lead time	Weight	PRICE EX. VAT (EUR)
65151000	White Oiled Oak base w. honed Bianco Carrara marble	SC4	1 pc	Stock item	37.00 kg	1.476
65151400	Smoked Oiled Oak base w. honed Nero Marquina marble	SC4	1 pc	Stock item	37.00 kg	1.476
65161000	White Oiled Oak base w. honed Bianco Carrara marble	SC5	1 pc	Stock item	45.00 kg	1.589
65161400	Smoked Oiled Oak base w. honed Nero Marquina marble	SC5	1 pc	Stock item	45.00 kg	1.589

Item no.	Add on	Lead time	Weight	PRICE EX. VAT (EUR)
65151000-3	Fly high legs - White Oiled Oak (providing a tabletop height of 32cm / 12.6in)	Stock item	1.50 kg	90
65151100-3	Fly high legs - Smoked Oiled Oak (providing a tabletop height of 32cm / 12.6in)	Stock item	1.50 kg	90

Material: Solid oiled oak base with marble table top.

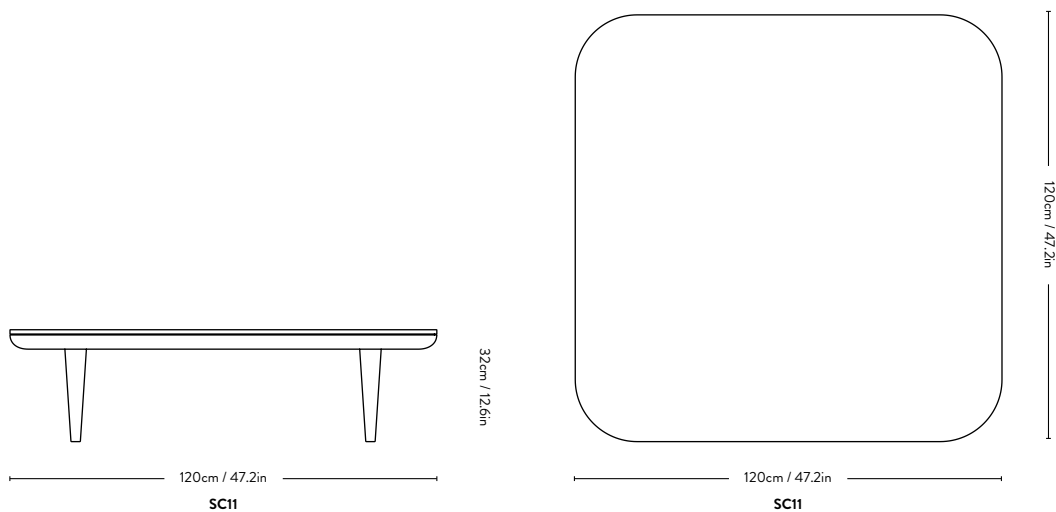


Fly^{SC11} Space Copenhagen 2017



Item no.	Product	Model	Colli qty.	Lead time	Weight	PRICE EX. VAT (EUR)
65181000	White Oiled Oak base w. honed Bianco Carrara marble	SC11	1 pc	Stock item	102.00 kg	2.838
65181100	Smoked Oiled Oak base w. honed Nero Marquina marble	SC11	1 pc	Stock item	102.00 kg	2.838

Material: Solid oiled oak base with marble table top.



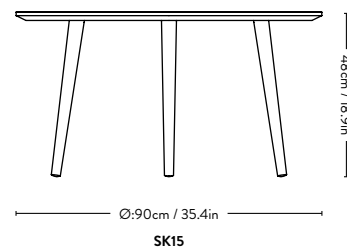
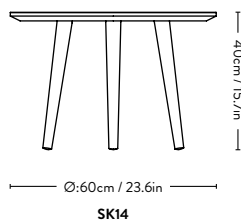
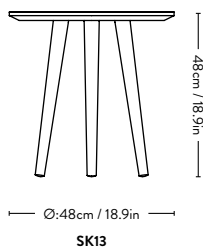
In Between ^{SK13-SK15} Sami Kallio 2014



Item no.	Product	Size	Model	Colli qty.	Lead time	Weight	PRICE EX. VAT (EUR)
20982200	Smoked Oiled Oak	Ø48cm, H:48cm	SK13	1 pc	Stock item	4.00 kg	283
20982292	Oiled Oak	Ø48cm, H:48cm	SK13	1 pc	Stock item	4.00 kg	283
20982294	Black Lacquered Oak	Ø48cm, H:48cm	SK13	1 pc	Stock item	4.00 kg	283
20982300	Smoked Oiled Oak	Ø60cm, H:40cm	SK14	1 pc	Stock item	5.90 kg	374
20982392	Oiled Oak	Ø60cm, H:40cm	SK14	1 pc	Stock item	5.90 kg	374
20982394	Black Lacquered Oak	Ø60cm, H:40cm	SK14	1 pc	Stock item	5.90 kg	374
20982400	Smoked Oiled Oak	Ø90cm, H:48cm	SK15	1 pc	Stock item	13.00 kg	510
20982492	Oiled Oak	Ø90cm, H:48cm	SK15	1 pc	Stock item	13.00 kg	510
20982494	Black Lacquered Oak	Ø90cm, H:48cm	SK15	1 pc	Stock item	13.00 kg	510

Materials **Finishes**

Table top	Solid Oak
Table legs	Solid Oak



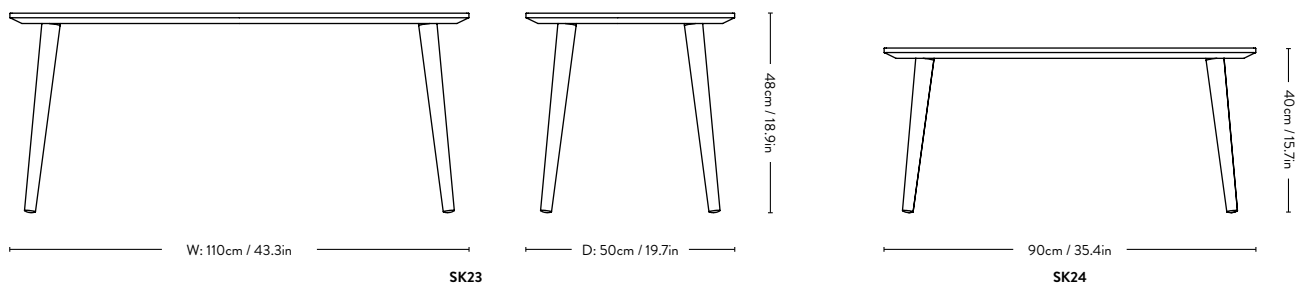
In Between ^{SK23 & SK24} Sami Kallio 2014



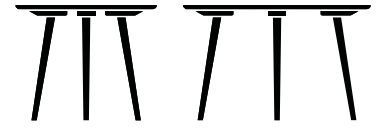
Item no.	Product	Size	Model	Colli qty.	Lead time	Weight	PRICE EX. VAT (EUR)
20982594	Black Lacquered Oak	W: 110cm, D: 50cm, H: 48cm	SK23	1 pc	Stock item	11.30 kg	510
20982592	Oiled Oak	W: 110cm, D: 50cm H: 48cm	SK23	1 pc	Stock item	11.30 kg	510
20982500	Smoked Oiled Oak	W: 110cm, D: 50cm H: 48cm	SK23	1 pc	Stock item	11.30 kg	510
20982694	Black Lacquered Oak	W: 90cm, D: 90cm, H: 40cm	SK24	1 pc	Stock item	16.80 kg	533
20982692	Oiled Oak	W: 90cm, D: 90cm, H: 40cm	SK24	1 pc	Stock item	16.80 kg	533
20982600	Smoked Oiled Oak	W: 90cm, D: 90cm, H: 40cm	SK24	1 pc	Stock item	16.80 kg	533

Materials **Finishes**

Table top	Solid Oak
Table legs	Solid Oak



In Between ^{SK3 & SK4} Sami Kallio 2014



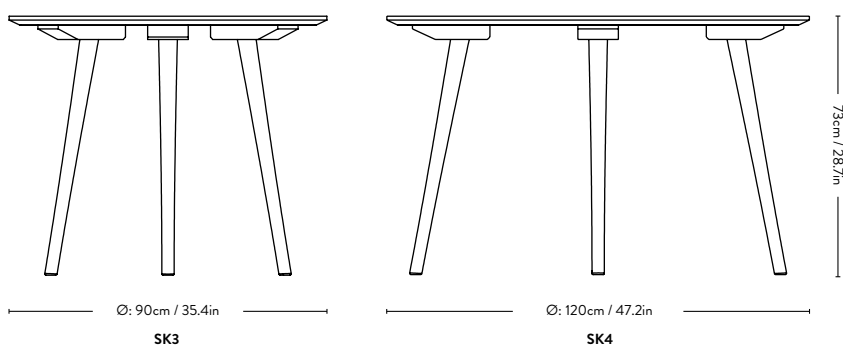
Item no.	Product	Size	Model	Colli qty.	Lead time	Weight	PRICE EX. VAT (EUR)
20981100	Smoked Oiled Oak	Ø90cm	SK3	1 pc	Stock item	19.00 kg	817
20981192	Oiled Oak	Ø90cm	SK3	1 pc	Stock item	19.00 kg	817
20981194	Black Lacquered Oak	Ø90cm	SK3	1 pc	Stock item	19.00 kg	817
20981196	Oiled Walnut	Ø90cm	SK3	1 pc	Stock item	19.00 kg	1.476
20981200	Smoked Oiled Oak	Ø120cm	SK4	1 pc	Stock item	31.00 kg	1.305
20981292	Oiled Oak	Ø120cm	SK4	1 pc	Stock item	31.00 kg	1.305
20981294	Black Lacquered Oak	Ø120cm	SK4	1 pc	Stock item	31.00 kg	1.305
20981296	Oiled Walnut	Ø120cm	SK4	1 pc	Stock item	31.00 kg	2.271

Materials **Finishes**

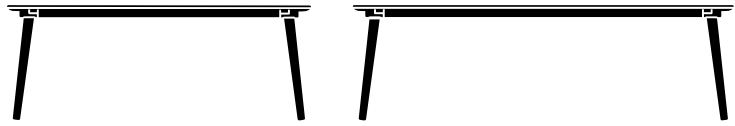
Table top	Solid Oak, Solid Walnut
Table legs	Solid Oak, Solid Walnut

Adjustable gliders installed as standard.

Bevelled table top edge.



In Between ^{SK5 & SK6} Sami Kallio 2014



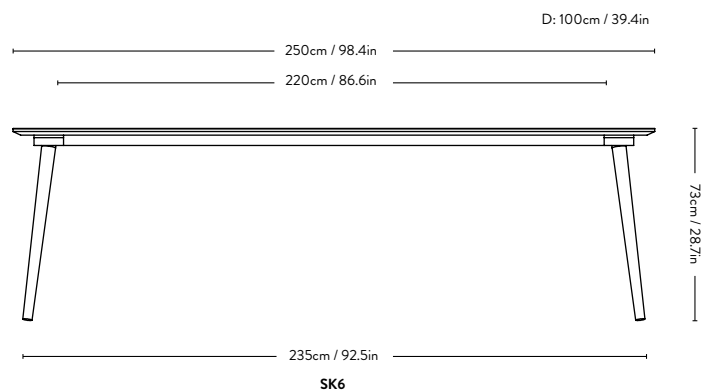
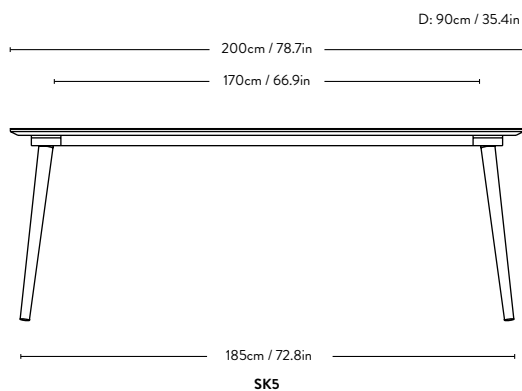
Item no.	Product	Size	Model	Colli qty.	Lead time	Weight	PRICE EX. VAT (EUR)
20981300	Smoked Lacquered Oak	90x200cm	SK5	1 pc	Stock item	52.40 kg	1.476
20981392	Clear Lacquered Oak	90x200cm	SK5	1 pc	Stock item	52.40 kg	1.476
20981394	Black Lacquered Oak	90x200cm	SK5	1 pc	Stock item	52.40 kg	1.476
20981400	Smoked Lacquered Oak	100x250cm	SK6	1 pc	Stock item	67.10 kg	1.703
20981492	Clear Lacquered Oak	100x250cm	SK6	1 pc	Stock item	67.10 kg	1.703
20981494	Black Lacquered Oak	100x250cm	SK6	1 pc	Stock item	67.10 kg	1.703

Materials **Finishes**

Table top	Oak Veneer on both sides and edges
Table legs	Solid Oak

Adjustable gliders installed as standard.

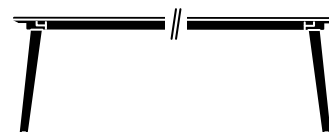
Bevelled table top edge.



In Between custom made versions

Sami Kallio

2014



Item no.	Product	*Edge material	Size	Lead time	PRICE EX. VAT (EUR)
20981500	Oak veneer, Forbo Linoleum	Info below	L:90cm, W:90cm, H:73cm	8 weeks	1.135
20981600	Oak veneer, Forbo Linoleum	Info below	L:160-200cm, W:90cm, H:73cm	8 weeks	1.816
20981700	Oak veneer, Forbo Linoleum	Info below	L:201-250cm, W:100cm, H:73cm	8 weeks	2.271
20983000	Oak veneer, Forbo Linoleum	Info below	Ø:81-90cm, H:73cm (3 legs)	8 weeks	1.135
20983100	Oak veneer, Forbo Linoleum	Info below	Ø:91-100cm, H:73cm (3 legs)	8 weeks	1.249
20983200	Oak veneer, Forbo Linoleum	Info below	Ø:101-110cm, H:73cm (4 legs)	8 weeks	1.419
20983300	Oak veneer, Forbo Linoleum	Info below	Ø:111-120cm, H:73cm (4 legs)	8 weeks	1.476
20983400	Oak veneer, Forbo Linoleum	Info below	Ø:121-130cm, H:73cm (4 legs)	8 weeks	1.589
20983500	Oak veneer, Forbo Linoleum	Info below	Ø:131-140cm, H:73cm (4 legs)	8 weeks	1.816
20983600	Oak veneer, Forbo Linoleum	Info below	Ø:141-150cm, H:73cm (4 legs)	8 weeks	1.930
20981501	Fenix NTM nano laminate	Info below	L:90cm, W:90cm, H:73cm	8 weeks	1.249
20981601	Fenix NTM nano laminate	Info below	L:160-200cm, W:90cm, H:73cm	8 weeks	1.930
20981701	Fenix NTM nano laminate	Info below	L:201-250cm, W:100cm, H:73cm	8 weeks	2.384
20983001	Fenix NTM nano laminate	Info below	Ø:81-90cm, H:73cm (3 legs)	8 weeks	1.249
20983101	Fenix NTM nano laminate	Info below	Ø:91-100cm, H:73cm (3 legs)	8 weeks	1.362
20983201	Fenix NTM nano laminate	Info below	Ø:101-110cm, H:73cm (4 legs)	8 weeks	1.476
20983301	Fenix NTM nano laminate	Info below	Ø:111-120cm, H:73cm (4 legs)	8 weeks	1.589
20983401	Fenix NTM nano laminate	Info below	Ø:121-130cm, H:73cm (4 legs)	8 weeks	1.646
20983501	Fenix NTM nano laminate	Info below	Ø:131-140cm, H:73cm (4 legs)	8 weeks	1.930
20983601	Fenix NTM nano laminate	Info below	Ø:141-150cm, H:73cm (4 legs)	8 weeks	1.987
30310020	Cut out for cable management			6-8 weeks	56
30310021	Cable access set / Black			6-8 weeks	295
30310022	Cable access set / Silver			6-8 weeks	295

*Please note that the cable access is not preinstalled upon delivery

Table top materials

Finishes and colours

Oak Veneer	Smoked, Clear or Black Lacquered
Forbo Linoleum	Black (4023), Grey (4132), Beige (4176)
Fenix NTM nano laminate	Black (0720), White (0029), Grey (0724), Beige (0719)

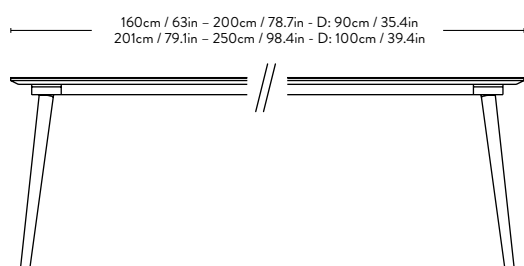
Material: Solid oak legs, MDF table top with either oak veneer, linoleum or laminate.

***Edge material:** Matching ABS, Natural Oak, Black Lacquered Oak or Smoked Lacquered Oak. Veneer table tops will have veneer edges. Linoleum and Laminate table tops will have matching ABS edges.

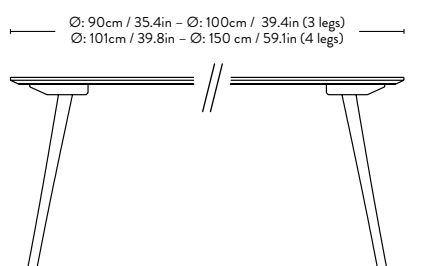
Legs: Choose between: Clear Lacquered oak, Smoked Lacquered or Black Lacquered Oak.

Adjustable gliders installed as standard.

Bevelled table top edge.

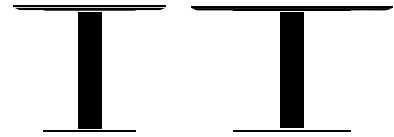


SK



SK

In Between ^{SK11 & SK12} Sami Kallio 2014



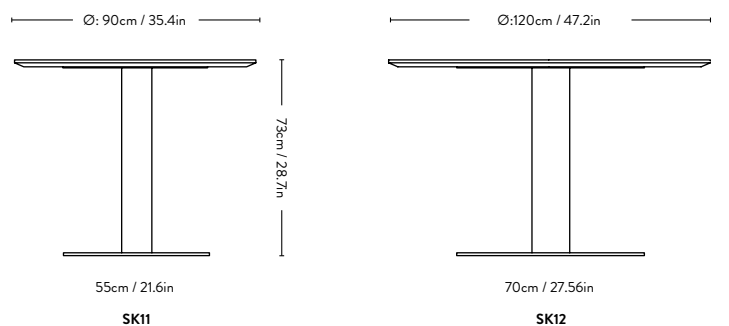
Item no.	Product	Size	Base	Model	Colli qty.	Lead time	Weight	PRICE EX. VAT (EUR)
20982000	Smoked Oiled Oak	Ø90cm	Black	SK11	1 pc	Stock item	46.60 kg	908
20982001			Bronzed	SK11	1 pc	Stock item	46.60 kg	908
20982092	Oiled Oak	Ø90cm	Black	SK11	1 pc	Stock item	46.60 kg	908
20982093			Bronzed	SK11	1 pc	Stock item	46.60 kg	908
20982094	Black Lacquered Oak	Ø90cm	Black	SK11	1 pc	Stock item	46.60 kg	908
20982095			Bronzed	SK11	1 pc	Stock item	46.60 kg	908
20982096	Oiled Walnut	Ø90cm	Black	SK11	1 pc	Stock item	46.60 kg	1.476
20982097			Bronzed	SK11	1 pc	Stock item	46.60 kg	1.476
20982100	Smoked Oiled Oak	Ø120cm	Black	SK12	1 pc	Stock item	68.50 kg	1.532
20982101			Bronzed	SK12	1 pc	Stock item	68.50 kg	1.532
20982192	Oiled Oak	Ø120cm	Black	SK12	1 pc	Stock item	68.50 kg	1.532
20982193			Bronzed	SK12	1 pc	Stock item	68.50 kg	1.532
20982194	Black Lacquered Oak	Ø120cm	Black	SK12	1 pc	Stock item	68.50 kg	1.532
20982195			Bronzed	SK12	1 pc	Stock item	68.50 kg	1.532
20982196	Oiled Walnut	Ø120cm	Black	SK12	1 pc	Stock item	68.50 kg	2.271
20982197			Bronzed	SK12	1 pc	Stock item	68.50 kg	2.271

Materials **Finishes and colours**

Table top Solid Oak, Solid Walnut
Center base Matt Black, Bronzed Metal

Felt gliders installed as standard.

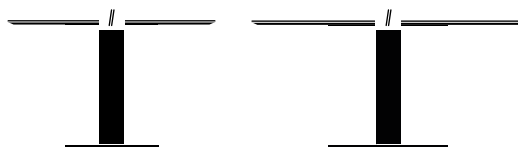
Bevelled table top edge.



In Between custom made versions

Sami Kallio

2014



Item code	Table top	Model	Size	Lead time	PRICE EX. VAT (EUR)
20940100	Oak veneer, Forbo Linoleum	Info below	L:60cm, W:70cm, H:73cm	8 weeks	624
20941500	Oak veneer, Forbo Linoleum	Info below	L:90cm, W:90cm, H:73cm	8 weeks	908
20940300	Oak veneer, Forbo Linoleum	Info below	L:120cm, W:60cm, H:73cm**	8 weeks	1.044
20940400	Oak veneer, Forbo Linoleum	Info below	L:140cm, W:70cm, H:73cm**	8 weeks	1.146
20941600	Oak veneer, Forbo Linoleum	Info below	L:160-200cm, W:90cm, H:73cm**	8 weeks	1.703
20941700	Oak veneer, Forbo Linoleum	Info below	L:201-250cm, W:100cm, H:73cm**	8 weeks	2.100
20940800	Oak veneer, Forbo Linoleum	Info below	L:60cm, W:70cm, H:102cm	8 weeks	647
20940500	Oak veneer, Forbo Linoleum	Info below	L:120cm, W:60cm, H:102cm**	8 weeks	1.090
20940600	Oak veneer, Forbo Linoleum	Info below	L:140cm, W:70cm, H:102cm**	8 weeks	1.192
20940700	Oak veneer, Forbo Linoleum	Info below	Ø:60-70cm, H:102cm	8 weeks	647
20940200	Oak veneer, Forbo Linoleum	Info below	Ø:60-70cm, H:73cm	8 weeks	624
20943000	Oak veneer, Forbo Linoleum	Info below	Ø:80-90cm, H:73cm	8 weeks	908
20943100	Oak veneer, Forbo Linoleum	Info below	Ø:91-100cm, H:73cm	8 weeks	1.078
20943200	Oak veneer, Forbo Linoleum	Info below	Ø:101-110cm, H:73cm	8 weeks	1.135
20943300	Oak veneer, Forbo Linoleum	Info below	Ø:111-120cm, H:73cm	8 weeks	1.249
20943400	Oak veneer, Forbo Linoleum	Info below	Ø:121-130cm, H:73cm	8 weeks	1.476
20943500	Oak veneer, Forbo Linoleum	Info below	Ø:131-140cm, H:73cm	8 weeks	1.703
20943600	Oak veneer, Forbo Linoleum	Info below	Ø:141-150cm, H:73cm	8 weeks	1.816

Materials

Finishes and colours

MDF Table top Oak Veneer in Smoked, Clear or Black Lacquer.
 Forbo Linoleum in Black (4023), Grey (4132), Beige (4176).

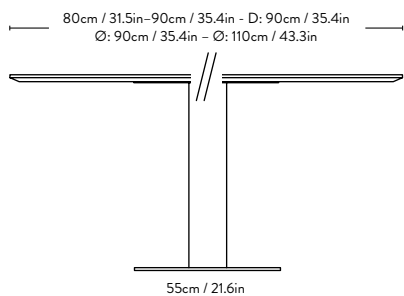
Center base Matt Black, Bronzed Metal

***Edge material:** Matching ABS, Natural Oak, Black Lacquered Oak or Smoked Lacquered Oak. Veneer table tops will have veneer edges.
 Linoleum and Laminate table tops will have matching ABS edges.

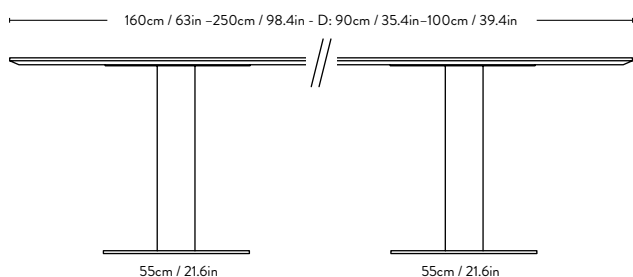
**Produced with two columns.

Felt gliders installed as standard.

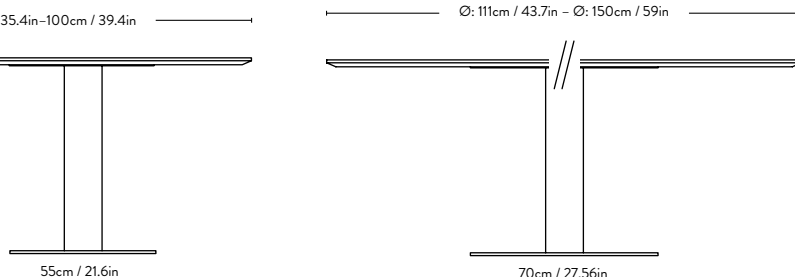
Bevelled table top edge.



SK



SK



SK

In Between custom made versions

Sami Kallio

2014



Item no.	Product	Model	Base	Lead time	PRICE EX. VAT (EUR)
20940101	Fenix NTM nano laminate	Info below	L:60cm, W:70cm, H:73cm	8 weeks	647
20941501	Fenix NTM nano laminate	Info below	L:90cm, W:90cm, H:73cm	8 weeks	1.021
20940301	Fenix NTM nano laminate	Info below	L:120cm, W:60cm, H:73cm**	8 weeks	1.021
20940401	Fenix NTM nano laminate	Info below	L:140cm, W:70cm, H:73cm**	8 weeks	1.124
20941601	Fenix NTM nano laminate	Info below	L:160-200cm, W:90cm, H:73cm**	8 weeks	1.816
20941701	Fenix NTM nano laminate	Info below	L:201-250cm, W:100cm, H:73cm**	8 weeks	2.214
20940801	Fenix NTM nano laminate	Info below	L:60cm, W:70cm, H:102cm	8 weeks	669
20940501	Fenix NTM nano laminate	Info below	L:120cm, W:60cm, H:102cm**	8 weeks	1.067
20940601	Fenix NTM nano laminate	Info below	L:140cm, W:70cm, H:102cm**	8 weeks	1.169
20940701	Fenix NTM nano laminate	Info below	Ø:60-70cm, H:102cm	8 weeks	669
20940201	Fenix NTM nano laminate	Info below	Ø:60-70cm, H:73cm	8 weeks	647
20943001	Fenix NTM nano laminate	Info below	Ø:80-90cm, H:73cm	8 weeks	965
20943101	Fenix NTM nano laminate	Info below	Ø:91-100cm, H:73cm	8 weeks	1.192
20943201	Fenix NTM nano laminate	Info below	Ø:101-110cm, H:73cm	8 weeks	1.249
20943301	Fenix NTM nano laminate	Info below	Ø:111-120cm, H:73cm	8 weeks	1.362
20943401	Fenix NTM nano laminate	Info below	Ø:121-130cm, H:73cm	8 weeks	1.589
20943501	Fenix NTM nano laminate	Info below	Ø:131-140cm, H:73cm	8 weeks	1.816
20943601	Fenix NTM nano laminate	Info below	Ø:141-150cm, H:73cm	8 weeks	1.930

Materials

Finishes and colours

MDF Table top

Fenix NTM nano laminate in Black (0720), White (0029), Grey (0724), Beige (0719).

Center base

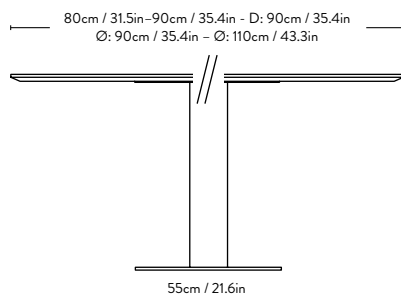
Matt Black, Bronzed Metal

***Edge material:** Matching ABS, Natural Oak, Black Lacquered Oak or Smoked Lacquered Oak. Veneer table tops will have veneer edges. Linoleum and Laminate table tops will have matching ABS edges.

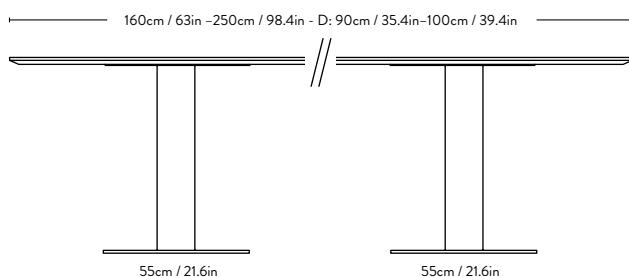
**Produced with two columns.

Felt gliders installed as standard.

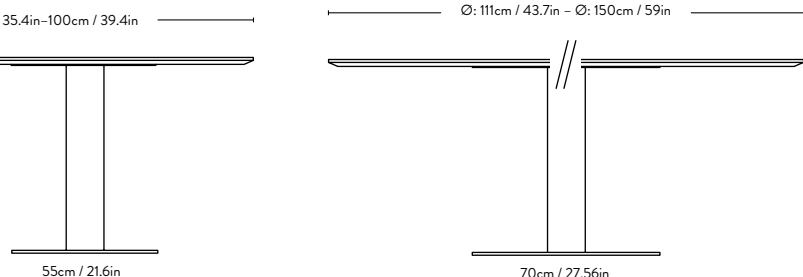
Bevelled table top edge.



SK

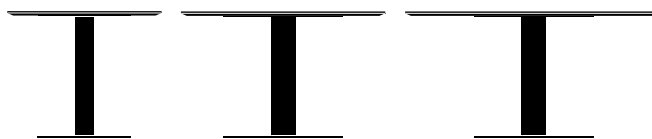


SK



SK

In Between ^{SK16-SK21} Sami Kallio 2014



Item no.	Product	Size	Base	Model	Colli qty.	Lead time	Weight	PRICE EX. VAT (EUR)
20920194	Nero Marquina	60x70cm	Black	SK16	1 pc	Stock item	45.50 kg	794
20920195			Bronzed	SK16	1 pc	Stock item	45.50 kg	794
20920130	Bianco Carrara	60x70cm	Black	SK16	1 pc	Stock item	45.50 kg	794
20920131			Bronzed	SK16	1 pc	Stock item	45.50 kg	794
20920394	Nero Marquina	Ø90cm	Black	SK18	1 pc	Stock item	71.00 kg	1.249
20920395			Bronzed	SK18	1 pc	Stock item	71.00 kg	1.249
20920330	Bianco Carrara	Ø90cm	Black	SK18	1 pc	Stock item	45.50 kg	1.249
20920331			Bronzed	SK18	1 pc	Stock item	45.50 kg	1.249
20920494	Nero Marquina	Ø120cm	Black	SK19	1 pc	Stock item	117.00 kg	2.498
20920495			Bronzed	SK19	1 pc	Stock item	117.00 kg	2.498
20920430	Bianco Carrara	Ø120cm	Black	SK19	1 pc	Stock item	117.00 kg	2.498
20920431			Bronzed	SK19	1 pc	Stock item	117.00 kg	2.498
20920594	Nero Marquina	Ø150cm	Black	SK20	1 pc	Stock item	152.00 kg	3.122
20920595			Bronzed	SK20	1 pc	Stock item	152.00 kg	3.122
20920530	Bianco Carrara	Ø150cm	Black	SK20	1 pc	Stock item	152.00 kg	3.122
20920531			Bronzed	SK20	1 pc	Stock item	152.00 kg	3.122
20920694	Nero Marquina	60x70cm - Bar table	Black	SK21	1 pc	Stock item	46.50 kg	817
20920695			Bronzed	SK21	1 pc	Stock item	46.50 kg	817
20920630	Bianco Carrara	60x70cm - Bar table	Black	SK21	1 pc	Stock item	46.50 kg	817
20920631			Bronzed	SK21	1 pc	Stock item	46.50 kg	817

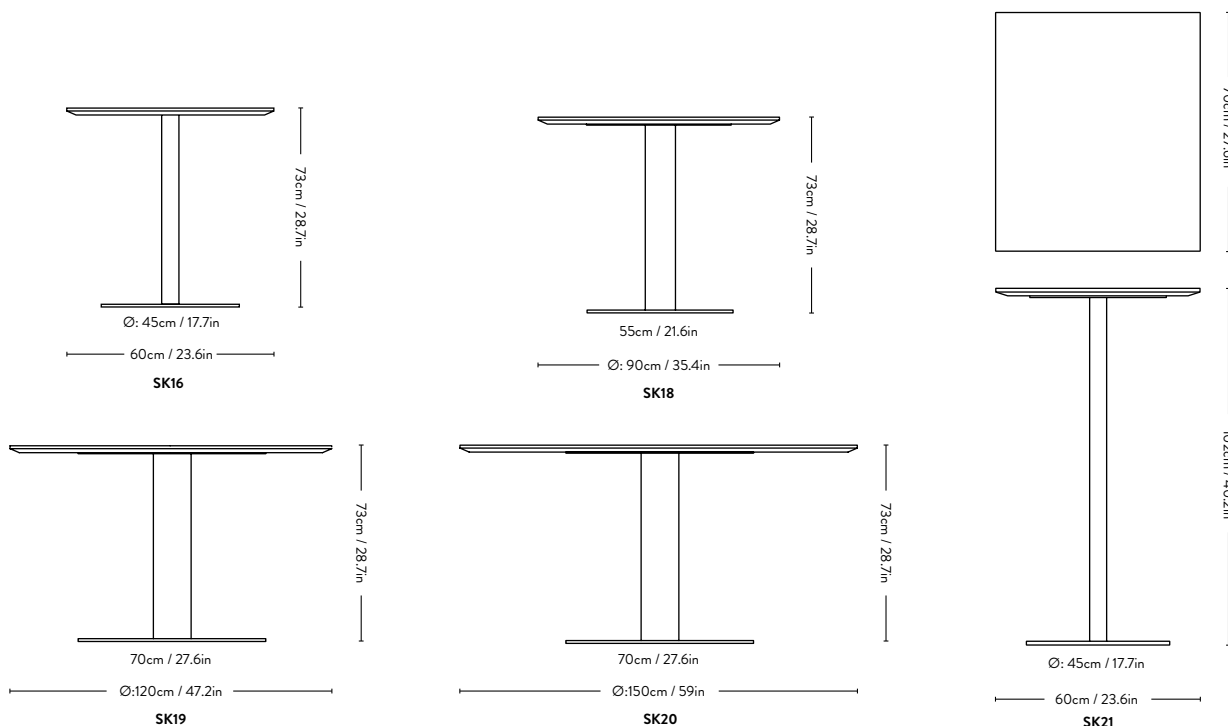
Felt gliders installed as standard.

Bevelled table top edge.

Polyester marble coating available with a 45% upcharge and with 6-8 weeks leadtime.

Materials Colour

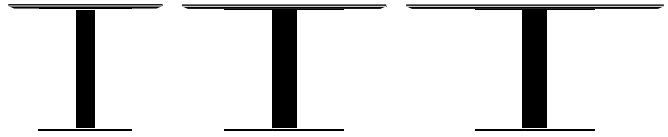
Table top Nero Marquina, Bianco Carrara
Center base Black, Bronzed metal



In Between custom made versions

Sami Kallio

2014



Item no.	Product	Table top size	Center base size	Base	Lead time	PRICE EX. VAT (EUR)
20920100	Nero Marquina, Bianco Carrara	Ø60cm	Ø45cm / 5cm	Black, Bronzed	6-8 weeks	908
20920200	Nero Marquina, Bianco Carrara	Ø70cm	Ø45cm / 5cm	Black, Bronzed	6-8 weeks	1.078
20920300	Nero Marquina, Bianco Carrara	Ø80cm	Ø55cm / 10cm	Black, Bronzed	6-8 weeks	1.249
20920400	Nero Marquina, Bianco Carrara	Ø100cm	Ø55cm / 10cm	Black, Bronzed	6-8 weeks	1.816
20920500	Nero Marquina, Bianco Carrara	Ø110cm	Ø55cm / 10cm	Black, Bronzed	6-8 weeks	2.043
20920600	Nero Marquina, Bianco Carrara	Ø130cm	Ø70cm / 14cm	Black, Bronzed	6-8 weeks	2.838
20920700	Nero Marquina, Bianco Carrara	Ø140cm	Ø70cm / 14cm	Black, Bronzed	6-8 weeks	3.179
20920800	Nero Marquina, Bianco Carrara	80x80cm	Ø70cm / 14cm	Black, Bronzed	6-8 weeks	1.249

Materials Colour

Table top	Nero Marquina, Bianco Carrara
Center base	Black, Bronzed metal

Felt gliders installed as standard.

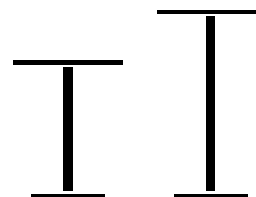
Bevelled table top edge.

Polyester marble coating available with a 45% upcharge.

In Between SK16-SK17 & SK21-SK22

Sami Kallio

2014



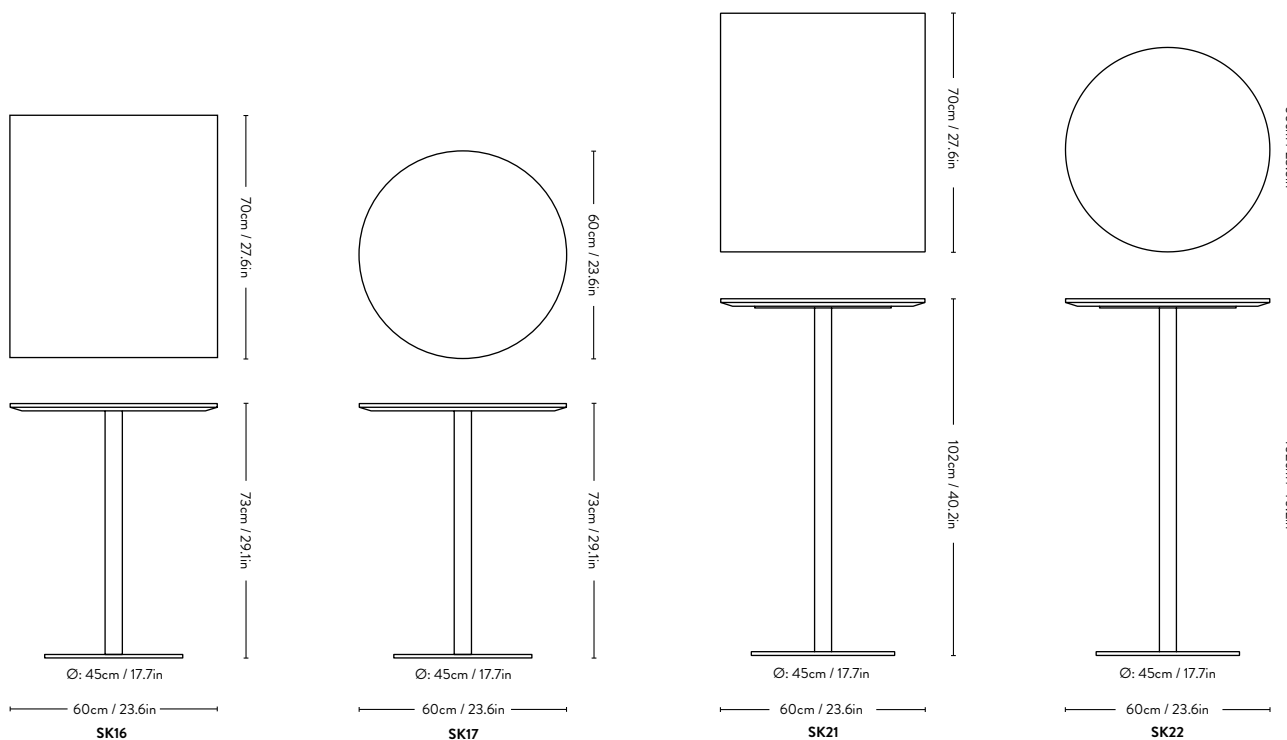
Item no.	Product	Size	Base	Model	Colli qty.	Lead time	Weight	PRICE EX. VAT (EUR)
20946094	Black Fenix Nano Laminate	60x70cm	Black	SK16	1 pc	Stock item	21.00 kg	533
20946096			Bronzed	SK16	1 pc	Stock item	21.00 kg	533
20946194	Black Fenix Nano Laminate	Ø60cm	Black	SK17	1 pc	Stock item	21.00 kg	533
20946195			Bronzed	SK17	1 pc	Stock item	21.00 kg	533
20946594	Black Fenix Nano Laminate	60x70cm - Bar table	Black	SK21	1 pc	Stock item	22.00 kg	556
20946595			Bronzed	SK21	1 pc	Stock item	22.00 kg	556
20946694	Black Fenix Nano Laminate	Ø60cm - Bar table	Black	SK22	1 pc	Stock item	22.00 kg	556
20946695			Bronzed	SK22	1 pc	Stock item	22.00 kg	556

Materials Colour

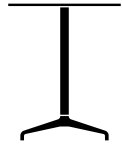
Table top Fenix Nano Laminate
 Center base Black, Bronzed metal

Felt gliders installed as standard.

Bevelled table top edge.



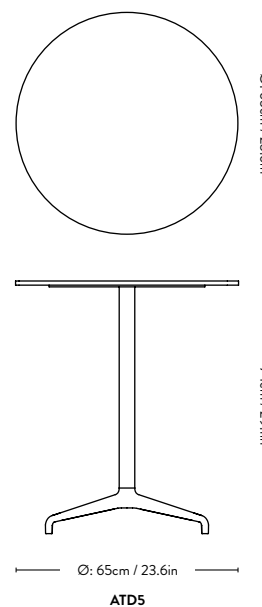
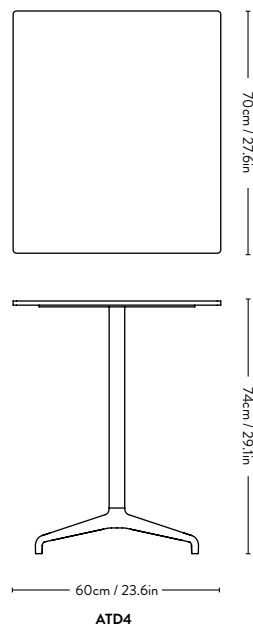
Rely ^{ATD4 & ATD5} & Tradition 2022



Item no.	Product	Colour	Model	Colli qty.	Lead time	Weight	PRICE EX. VAT (EUR)
17910000	Rely Table 60x70 cm	Black	ATD4	1 pc	Stock item	13.38 kg	510
17910001	Rely Table Ø65 cm	Black	ATD5	1 pc	Stock item	11.8 kg	510

Material: Aluminum, steel, compact laminate.

Suitable for outdoor use.
Black outdoor powder coating UV-resistant.



Patch ^{HW1} Hee Welling 2020



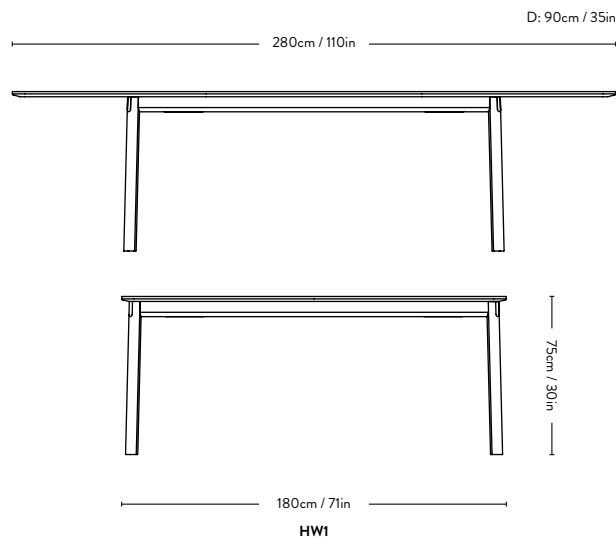
Item no.	Product	Model	Colli qty.	Lead time	Weight	PRICE EX. VAT (EUR)
20930092	Oak w. Fenix 0748 Beige Arizona & Brass	HW1	1 pc	Stock item	73.50 kg	2.611
20930000	Smoked Oak w. Fenix 0718 Griogio Londra & Brass	HW1	1 pc	Stock item	73.50 kg	2.611
20930096	Walnut w. Fenix 0749 Cacao Orinoco & Brass	HW1	1 pc	Stock item	73.50 kg	2.952

Frame	Table top
Solid wood	Fenix NTM nano laminate

Frame	Edges
Oak	Oiled Oak, Smoked Oiled Oak
Walnut	Oiled Walnut

Material: Nano laminated MDF tabletop. Extension leaves with veneered and chamfered edges. Solid wood frame and legs.

Brass fittings.



Patch ^{HW2} Hee Welling 2020



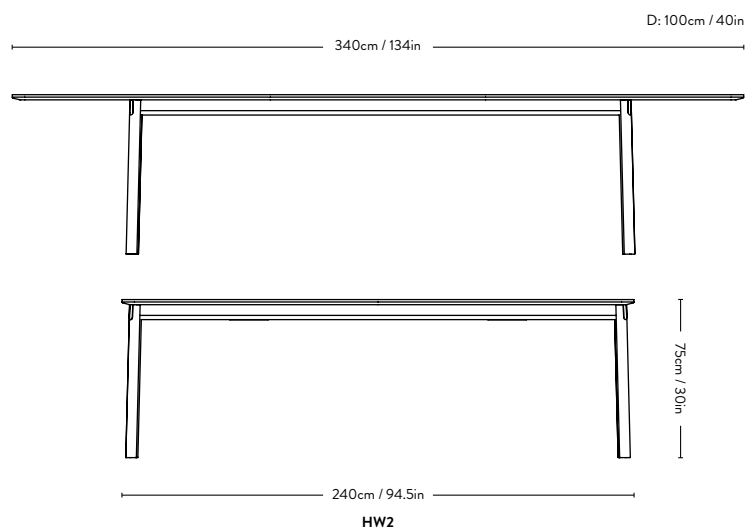
Item no.	Product	Model	Colli qty.	Lead time	Weight	PRICE EX. VAT (EUR)
20930192	Oak w. Fenix 0748 Beige Arizona & Brass	HW2	1 pc	Stock item	89.50 kg	2.838
20930100	Smoked Oak w. Fenix 0718 Griogio Londra & Brass	HW2	1 pc	Stock item	89.50 kg	2.838
20930196	Walnut w. Fenix 0749 Cacao Orinoco & Brass	HW2	1 pc	Stock item	89.50 kg	3.179

Frame	Table top
Solid wood	Fenix NTM nano laminate

Frame	Edges
Oak	Oiled Oak, Smoked Oiled Oak
Walnut	Oiled Walnut

Material: Nano laminated MDF tabletop. Extension leaves with veneered and chamfered edges. Solid wood frame and legs.

Brass fittings.



Drip ^{HW58} Hee Welling 2021



Item no.	Table top	Size	Base	Model	Colli qty.	Lead time	Weight	PRICE EX. VAT (EUR)
18001101	Black Fenix Nano Laminate (0720)	140 x 80cm	Black	HW58	1 pc	Stock item	25.00 kg	1.135
18001106	Black Fenix Nano Laminate (0720)	140 x 80cm	Bronzed	HW58	1 pc	Stock item	25.00 kg	1.135
18001105	Off-White Fenix Nano Laminate (0029)	140 x 80cm	Black	HW58	1 pc	Stock item	25.00 kg	1.135
18001107	Off-White Fenix Nano Laminate (0029)	140 x 80cm	Bronzed	HW58	1 pc	Stock item	25.00 kg	1.135
18001121	Linoleum - all colours	140 x 80cm	Black, Bronzed	HW58	1 pc	6-8 weeks	25.00 kg	1.249
18001131	Nano Laminate - all colours	140 x 80cm	Black, Bronzed	HW58	1 pc	6-8 weeks	25.00 kg	1.305
18001141	Veneer - oak or walnut	140 x 80cm	Black, Bronzed	HW58	1 pc	6-8 weeks	25.00 kg	1.305
30310020	Cut out for cable management					6-8 weeks		56
30310021	Cable access set / Black					6-8 weeks		295
30310022	Cable access set / Silver					6-8 weeks		295

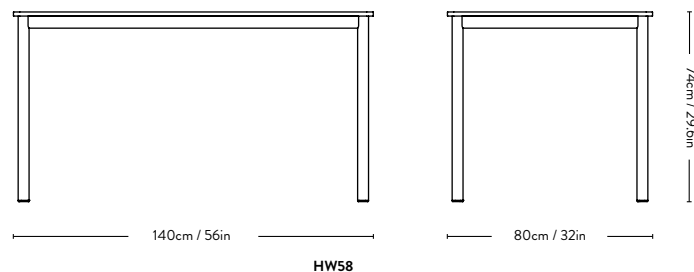
Material: Aluminium base, MDF tabletop with Fenix Nano laminate, Forbo linoleum or wood veneer.

Black & Off-white laminate and Burgundy linoleum is produced with a matching high gloss edge band.

All other colours are produced with a matching ABS edge band. Wood veneer is produced with a matching edge band.

Plastic gliders installed as standard.

Castors are available upon request.



Drip ^{HW59} Hee Welling 2021



Item no.	Table top	Size	Base	Model	Colli qty.	Lead time	Weight	PRICE EX. VAT (EUR)
18001201	Black Fenix Nano Laminate (0720)	190 x 80cm	Black	HW59	1 pc	Stock item	32.50 kg	1.249
18001206	Black Fenix Nano Laminate (0720)	190 x 80cm	Bronzed	HW59	1 pc	Stock item	32.50 kg	1.249
18001205	Off-White Fenix Nano Laminate (0029)	190 x 80cm	Black	HW59	1 pc	Stock item	32.50 kg	1.249
18001207	Off-White Fenix Nano Laminate (0029)	190 x 80cm	Bronzed	HW59	1 pc	Stock item	32.50 kg	1.249
30310020	Cut out for cable management					6-8 weeks		56
30310021	Cable access set / Black					6-8 weeks		295
30310022	Cable access set / Silver					6-8 weeks		295

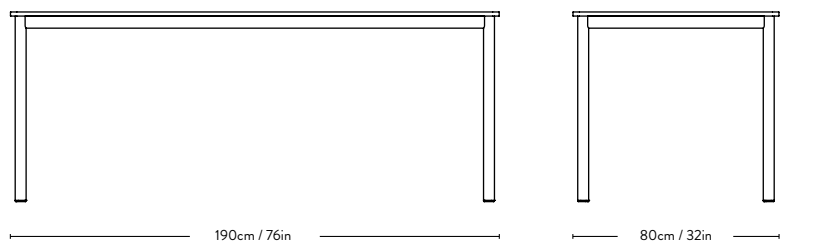
Material: Aluminium base, MDF tabletop with Fenix Nano laminate, Forbo linoleum or wood veneer.

Black & Off-white laminate and Burgundy linoleum is produced with a matching high gloss edge band.

All other colours are produced with a matching ABS edge band. Wood veneer is produced with a matching edge band.

Plastic gliders installed as standard.

Castors are available upon request.



HW59

Drip ^{HW60} Hee Welling 2021



Item no.	Table top	Size	Base	Model	Colli qty.	Lead time	Weight	PRICE EX. VAT (EUR)
18001301	Black Fenix Nano Laminate (0720)	250 x 100 cm	Black	HW60	1 pc	Stock item	49.00 kg	1.589
18001306	Black Fenix Nano Laminate (0720)	250 x 100 cm	Bronzed	HW60	1 pc	Stock item	49.00 kg	1.589
18001305	Off-White Fenix Nano Laminate (0029)	250 x 100 cm	Black	HW60	1 pc	Stock item	49.00 kg	1.589
18001307	Off-White Fenix Nano Laminate (0029)	250 x 100 cm	Bronzed	HW60	1 pc	Stock item	49.00 kg	1.589
30310020	Cut out for cable management					6-8 weeks		56
30310021	Cable access set / Black					6-8 weeks		295
30310022	Cable access set / Silver					6-8 weeks		295

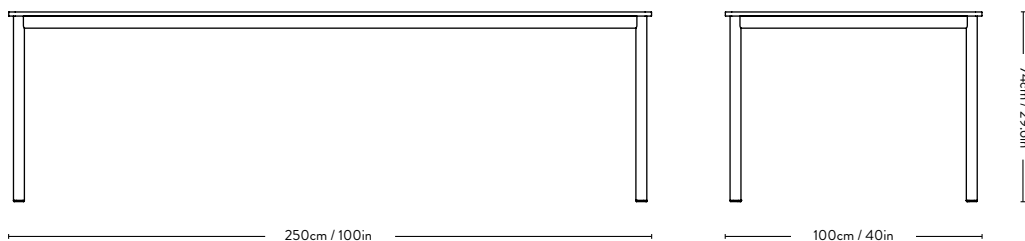
Material: Aluminium base, MDF tabletop with Fenix Nano laminate, Forbo linoleum or wood veneer.

Black & Off-white laminate and Burgundy linoleum is produced with a matching high gloss edge band.

All other colours are produced with a matching ABS edge band. Wood veneer is produced with a matching edge band.

Plastic gliders installed as standard.

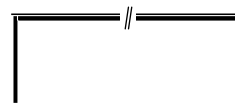
Castors are available upon request.



Drip custom made versions

Hee Welling

2021



Item code	Table top	Base	Size	Lead time	PRICE EX. VAT (EUR)
18002221	Forbo Linoleum	Black, Bronzed	L: 141-170 x W: 80 x H: 74cm	6-8 weeks	1.419
18002321			L: 171-200 x W: 80 x H: 74cm		1.532
18002421			L: 201-250 x W: 100 x H: 74cm		1.816
18002521			L: 251-300 x W: 100 x H: 74cm		2.157
18002601			L: 201-250 x W: 110 x H: 74cm		1.646
18002611			L: 251-300 x W: 110 x H: 74cm		1.873
18003421			L: 201-250 x W: 120 x H: 74cm		1.760
18003521		L: 251-300 x W: 120 x H: 74cm	1.987		
18002231	Fenix NTM Nano Laminate	Black, Bronzed	L: 141-170 x W: 80 x H: 74cm	6-8 weeks	1.476
18002331			L: 171-200 x W: 80 x H: 74cm		1.589
18002431			L: 201-250 x W: 100 x H: 74cm		1.816
18002531			L: 251-300 x W: 100 x H: 74cm		2.157
18002602			L: 201-250 x W: 110 x H: 74cm		1.760
18002612			L: 251-300 x W: 110 x H: 74cm		1.987
18003431			L: 201-250 x W: 120 x H: 74cm		1.873
18003531		L: 251-300 x W: 120 x H: 74cm	2.100		
18002241	Oak or Walnut Veneer	Black, Bronzed	L: 141-170 x W: 80 x H: 74cm	6-8 weeks	1.476
18002341			L: 171-200 x W: 80 x H: 74cm		1.589
18002441			L: 201-250 x W: 100 x H: 74cm		1.816
18002541			L: 251-300 x W: 100 x H: 74cm		2.157
18002603			L: 201-250 x W: 110 x H: 74cm		1.703
18002613			L: 251-300 x W: 110 x H: 74cm		1.930
18003441			L: 201-250 x W: 120 x H: 74cm		1.816
18003541		L: 251-300 x W: 120 x H: 74cm	2.043		
30310020	Cut out for cable management			6-8 weeks	56
30310021	Cable access set / Black			6-8 weeks	295
30310022	Cable access set / Silver			6-8 weeks	295

* Please note that the cable access set is not pre-installed upon delivery

Material: Aluminium base, MDF tabletop with Fenix Nano laminate, Forbo linoleum or wood veneer.

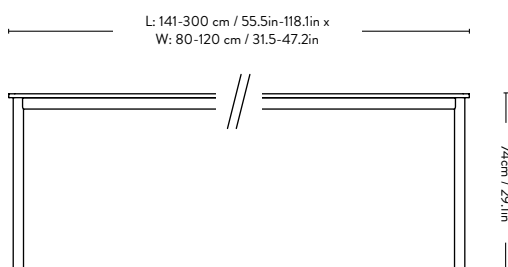
Black & Off-white laminate and Burgundy linoleum is produced with a matching high gloss edge band.

All other colours are produced with a matching ABS edge band. Wood veneer is produced with a matching edge band.

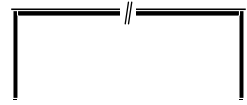
Plastic gliders are installed as standard.

Base: Black or Bronzed.

Castors are available upon request.



Drip custom made versions Hee Welling 2021



Item code	Table top	Base	Size	Lead time	PRICE EX. VAT (EUR)			
18002621	Forbo Linoleum	Black, Bronzed	L: 301-350 x W: 110 x H: 74cm	6-8 weeks	2.952			
18002721			L: 351-400 x W: 110 x H: 74cm		3.179			
18002821			L: 401-450 x W: 110 x H: 74cm		3.633			
18002921			L: 451-500 x W: 110 x H: 74cm		3.860			
18002950			L: 501-550 x W: 110 x H: 74cm		3.974			
18002965			L: 551-600 x W: 110 x H: 74cm		4.088			
18003621			L: 301-350 x W: 120 x H: 74cm		3.066			
18003721			L: 351-400 x W: 120 x H: 74cm		3.520			
18003821			L: 401-450 x W: 120 x H: 74cm		3.747			
18003921			L: 451-500 x W: 120 x H: 74cm		3.974			
18004021			L: 501-550 x W: 120 x H: 74cm		4.088			
18004121			L: 551-600 x W: 120 x H: 74cm		4.201			
18002631			Fenix NTM Nano Laminate		Black, Bronzed	L: 301-350 x W: 110 x H: 74cm	6-8 weeks	2.952
18002731						L: 351-400 x W: 110 x H: 74cm		3.179
18002831	L: 401-450 x W: 110 x H: 74cm	3.633						
18002931	L: 451-500 x W: 110 x H: 74cm	3.860						
18002955	L: 501-550 x W: 110 x H: 74cm	3.974						
18002970	L: 551-600 x W: 110 x H: 74cm	4.088						
18003631	L: 301-350 x W: 120 x H: 74cm	3.066						
18003731	L: 351-400 x W: 120 x H: 74cm	3.520						
18003831	L: 401-450 x W: 120 x H: 74cm	3.747						
18003931	L: 451-500 x W: 120 x H: 74cm	3.974						
18004031	L: 501-550 x W: 120 x H: 74cm	4.088						
18004131	L: 551-600 x W: 120 x H: 74cm	4.201						
18002641	Oak or Walnut Veneer	Black, Bronzed		L: 301-350 x W: 110 x H: 74cm		6-8 weeks		2.952
18002741				L: 351-400 x W: 110 x H: 74cm				3.179
18002841			L: 401-450 x W: 110 x H: 74cm	3.633				
18002941			L: 451-500 x W: 110 x H: 74cm	3.860				
18002960			L: 501-550 x W: 110 x H: 74cm	3.974				
18002975			L: 551-600 x W: 110 x H: 74cm	4.088				
18003641			L: 301-350 x W: 120 x H: 74cm	3.066				
18003741			L: 351-400 x W: 120 x H: 74cm	3.520				
18003841			L: 401-450 x W: 120 x H: 74cm	3.747				
18003941			L: 451-500 x W: 120 x H: 74cm	3.974				
18004041			L: 501-550 x W: 120 x H: 74cm	4.088				
18004141			L: 551-600 x W: 120 x H: 74cm	4.201				
18009999			Linking device				Stock item	28
30310020			Cut out for cable management				6-8 weeks	56
30310021	Cable access set / Black			6-8 weeks	295			
30310022	Cable access set / Silver			6-8 weeks	295			

* Please note that the cable access set is not pre-installed upon delivery

Material: Aluminium base, MDF tabletop with Fenix Nano laminate, Forbo linoleum or wood veneer.

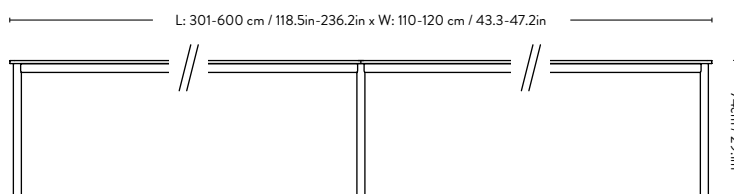
Black & Off-white laminate and Burgundy linoleum is produced with a matching high gloss edge band.

All other colours are produced with a matching ABS edge band. Wood veneer is produced with a matching edge band.

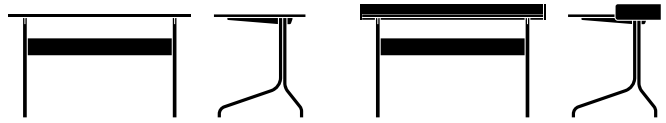
Plastic gliders are installed as standard.

Base: Black or Bronzed.

Castors are available upon request.



Pavilion ^{AV16 & AV17} Anderssen & Voll 2021

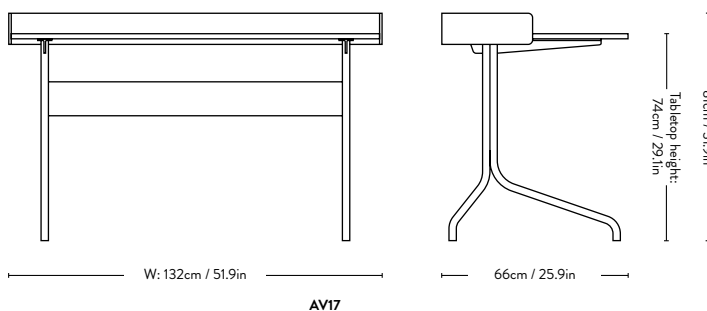
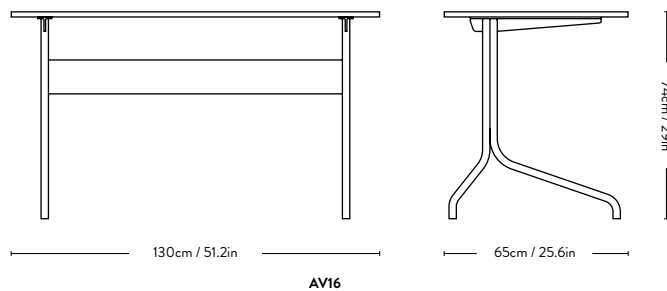


Item no.	Product	Model	Colli qty.	Lead time	Weight	PRICE EX. VAT (EUR)
50170000	Black Linoleum (4023) w. black lacquered oak & black base	AV16	1 pc	Stock item	23.30 kg	1.021
50170001	Mushroom Linoleum (4176) w. lacquered oak & chrome base	AV16	1 pc	Stock item	23.30 kg	1.021
50170002	Iron Linoleum (4178) w. lacquered walnut & chrome base	AV16	1 pc	Stock item	23.30 kg	1.021
50170003	Mushroom Linoleum (4176) w. lacquered oak & chrome base	AV17	1 pc	Stock item	24.20 kg	1.249
50170004	Iron Linoleum (4178) w. lacquered walnut & chrome base	AV17	1 pc	Stock item	24.20 kg	1.249

Material: Steel, wood veneer, Forbo linoleum.

Plastic gliders are installed as standard.

Cut out and cable management available upon request with a minimum order quantity of same variant of 10 pcs.



NEW

Pavilion AV18, AV19 & AV24

Anderssen & Voll 2022

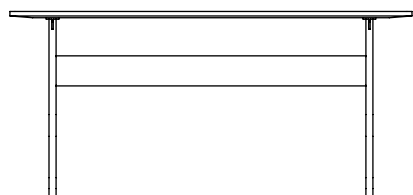


Item no.	Top	Size	Base	Model	Colli qty.	Lead time	Weight	PRICE EX. VAT (EUR)
50180000 50180001	Clear Lacquered Oak	160cm	Black Chrome	AV18	1 pc	Stock item	44.0 kg	1.305 1.305
50180002 50180003	Black Lacquered Oak	160cm	Black Chrome	AV18	1 pc	Stock item	44.0 kg	1.305 1.305
50180004 50180005	Lacquered Walnut	160cm	Black Chrome	AV18	1 pc	Stock item	44.0 kg	1.362 1.362

Item no.	Top	Size	Base	Model	Colli qty.	Lead time	Weight	PRICE EX. VAT (EUR)
50190000 50190001	Clear Lacquered Oak	200 cm	Black Chrome	AV19	1 pc	Stock item	53.5 kg	1.419 1.419
50190002 50190003	Black Lacquered Oak	200 cm	Black Chrome	AV19	1 pc	Stock item	53.5 kg	1.419 1.419
50190004 50190005	Lacquered Walnut	200 cm	Black Chrome	AV19	1 pc	Stock item	53.5 kg	1.476 1.476

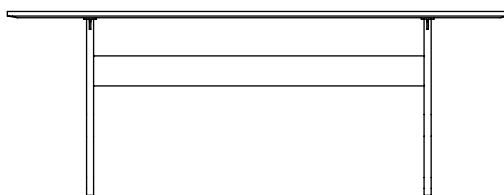
Item no.	Top	Size	Base	Model	Colli qty.	Lead time	Weight	PRICE EX. VAT (EUR)
50260000 50260001	Clear Lacquered Oak	250 cm	Black Chrome	AV24	1 pc	Stock item	62.0 kg	2.043 2.043
50260002 50260003	Black Lacquered Oak	250 cm	Black Chrome	AV24	1 pc	Stock item	62.0 kg	2.043 2.043
50260004 50260005	Lacquered Walnut	250 cm	Black Chrome	AV24	1 pc	Stock item	62.0 kg	2.157 2.157

Material: Steel, lacquered veneer, MDF



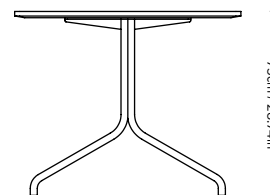
W: 160cm / 62.9in

AV18



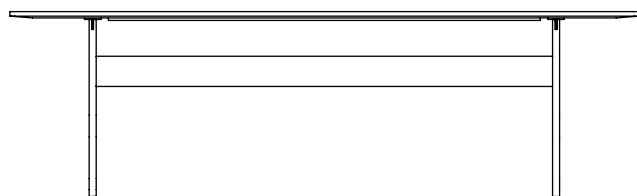
W: 200cm / 78.74in

AV19



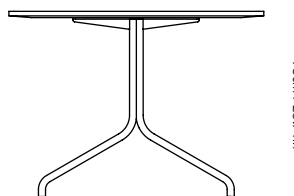
D: 90cm / 35.43in

73cm / 28.74in



W: 250cm / 98.42in

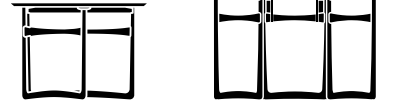
AV24



D: 110cm / 43.31in

73cm / 28.74in

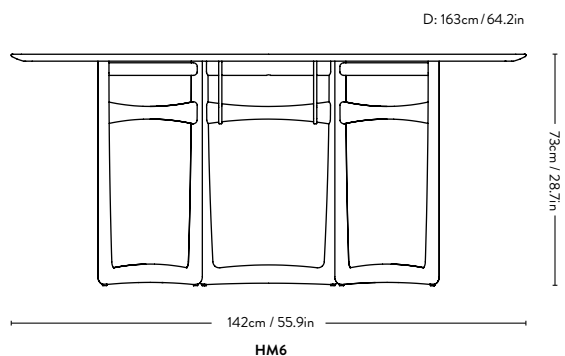
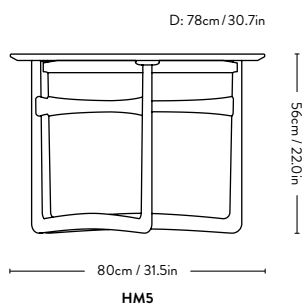
Drop Leaf ^{HM5 & HM6} Hvidt & Mølgaard 1956



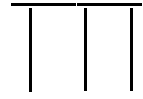
Item no.	Product	Size	Base	Model	Colli qty.	Lead time	Weight	PRICE EX. VAT (EUR)
14050092	Lounge	80x78cm	Oak	HM5	1 pc	Stock item	11.00 kg	1.135
14050088	Lounge	80x78cm	Soaped Oak	HM5	1 pc	Stock item	11.00 kg	1.135
14050096	Lounge	80x78cm	Walnut	HM5	1 pc	Stock item	11.00 kg	1.646
14060092	Dining	142x163cm	Oak	HM6	1 pc	Stock item	41.00 kg	4.258
14060088	Dining	142x163cm	Soaped Oak	HM6	1 pc	Stock item	41.00 kg	4.258
14060096	Dining	142x163cm	Walnut	HM6	1 pc	Stock item	36.00 kg	5.564

Frame	Finish
Oak	Oiled Oak, Soaped Oak
Walnut	Oiled Walnut

Material: Solid wood & Brass.



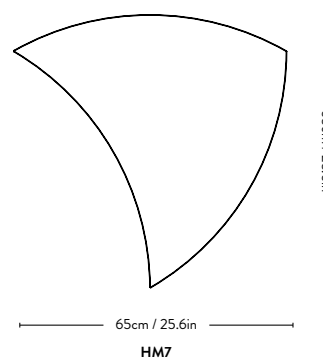
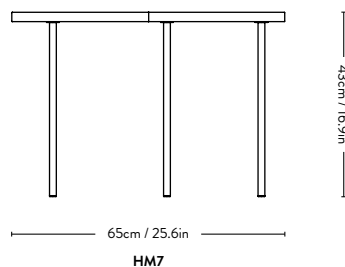
Pinwheel ^{HM7} Hvidt & Mølgaard 1953



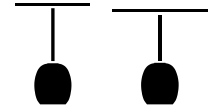
Item no.	Product	Base	Model	Colli qty.	Lead time	Weight	PRICE EX. VAT (EUR)
14070088 14071088	Soaped Oak	Brass Stainless Steel NEW	HM7	1 pc	Stock item	4.00 kg	454
14070092 14071092	Oiled Oak	Brass Stainless Steel NEW	HM7	1 pc	Stock item	4.00 kg	454
14070096 14071096	Oiled Walnut	Brass Stainless Steel NEW	HM7	1 pc	Stock item	4.00 kg	567

Frame	Finish
Oak	Oiled Oak, Soaped Oak
Walnut	Oiled Walnut

Material: Solid oak or walnut, brass & stainless steel.



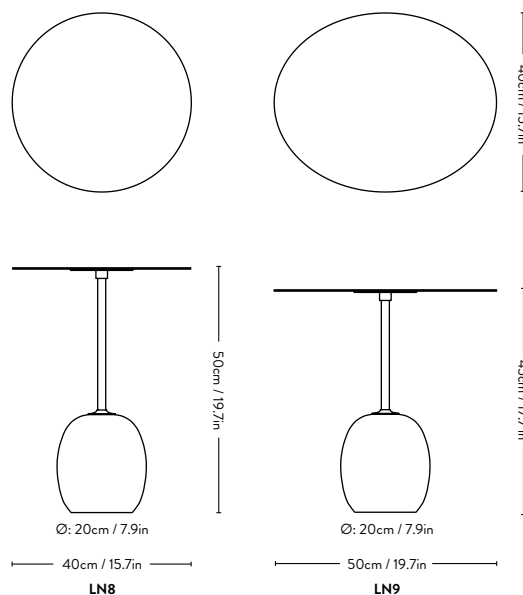
Lato LN8 & LN9 Luca Nichetto 2018



Item no.	Product	Size	Model	Colli qty.	Lead time	Weight	PRICE EX. VAT (EUR)
86202001	Warm Black & Emparador marble	Ø40cm	LN8	1 pc	Stock item	19.50 kg	431
86202005	Ivory White & Crema Diva marble	Ø40cm	LN8	1 pc	Stock item	19.50 kg	431
86202096	Lacquered Walnut w. Emparador marble	Ø40cm	LN8	1 pc	Stock item	19.00 kg	499
86202092	Lacquered Oak w. Crema Diva marble	Ø40cm	LN8	1 pc	Stock item	19.00 kg	476
86202010	Warm Black & Emparador marble	40x50cm	LN9	1 pc	Stock item	20.10 kg	431
86202015	Ivory White & Crema Diva marble	40x50cm	LN9	1 pc	Stock item	20.10 kg	431
86202196	Lacquered Walnut w. Emparador marble	40x50cm	LN9	1 pc	Stock item	19.00 kg	499
86202192	Lacquered Oak w. Crema Diva marble	40x50cm	LN9	1 pc	Stock item	19.00 kg	476

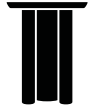
Material: Marble and powder coated steel or lacquered veneer.

Felt gliders installed as standard.



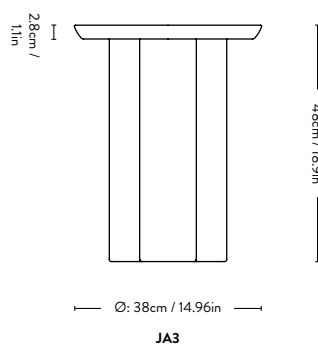
NEW

Tung^{JA3} John Astbury 2022



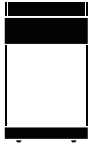
Item no.	Colour	Model	Colli qty.	Lead time	Weight	PRICE EX. VAT (EUR)
70100310	Steel Blue	JA3	1 pc	Stock item	10.80 kg	397
70100344	Burgundy Red	JA3	1 pc	Stock item	10.80 kg	397

Material: Lacquered MDF



NEW

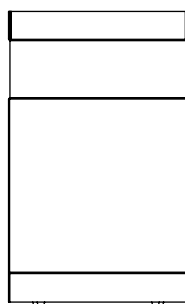
Rotate^{SC73} Space Copenhagen 2022



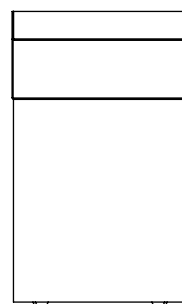
Item no.	Colour	Model	Colli qty.	Lead time	Weight	PRICE EX. VAT (EUR)
42000001	Terracotta	SC73	1 pc	Stock item	14.75 kg	340
42000004	Hunter	SC73	1 pc	Stock item	14.75 kg	340
42000005	Ivory	SC73	1 pc	Stock item	14.75 kg	340
42000006	Merlot	SC73	1 pc	Stock item	14.75 kg	340

Material: Powder coated steel

Thickness:
0.2cm / 0.08in



W: 35cm / 13.78in



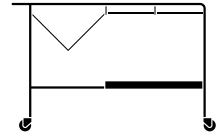
D: 35cm / 13.78in

59cm / 23.23in

SC73

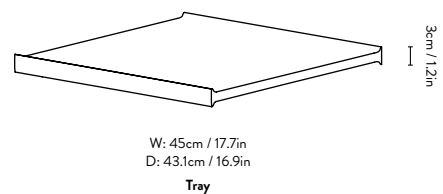
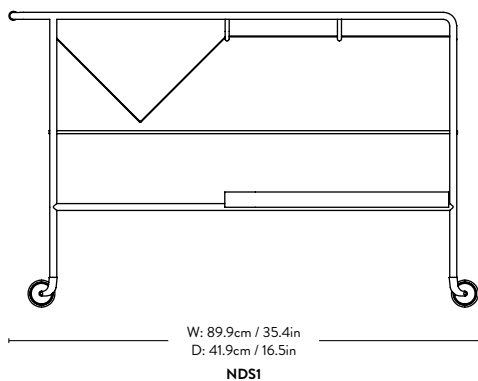
NEW

Alima^{NDS1} Note Design Studio 2022

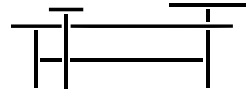


Item no.	Product	Tray	Model	Colli qty.	Lead time	Weight	PRICE EX. VAT (EUR)
23500001	Chrome	Oak	NDS1	1 pc	Stock item	10.0 kg	738
23500002	Chrome	Walnut	NDS1	1 pc	Stock item	10.0 kg	738
23500003	Matt Black	Oak	NDS1	1 pc	Stock item	10.0 kg	738
23500004	Matt Black	Walnut	NDS1	1 pc	Stock item	10.0 kg	738

Material: Steel / Powder coated steel trolley.
Walnut / Oak trays. Leather handle.



Palette ^{JH7} Jaime Hayon 2015

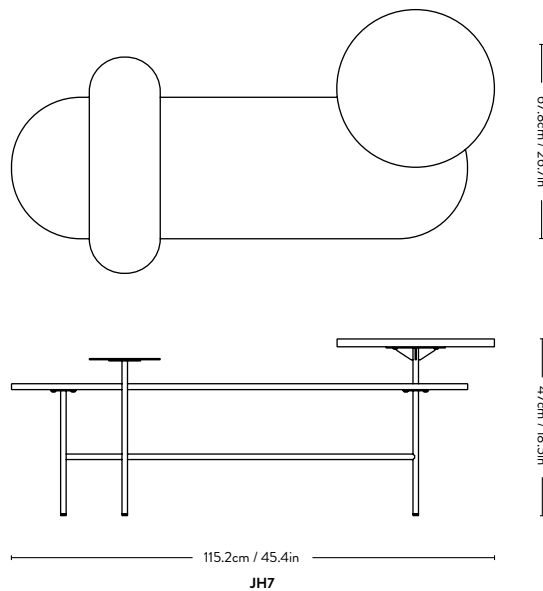


Item no.	Product	Model	Colli qty.	Lead time	Weight	PRICE EX. VAT (EUR)
83341294	Brass, Nero Marquina marble, Black Lacquered Ash veneer	JH7	1 pc	Stock item	19.00 kg	1.192

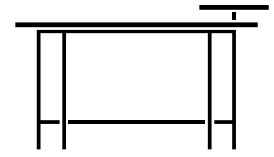
Base	Colour
Steel	Black Powder Coated

Table top	Colour
Metal	Satin polished brass
Marble	Polished Nero Marquina
Wood	Lacquered Ash veneer

Plastic gliders installed as standard.



Palette ^{JH9} Jaime Hayon 2015

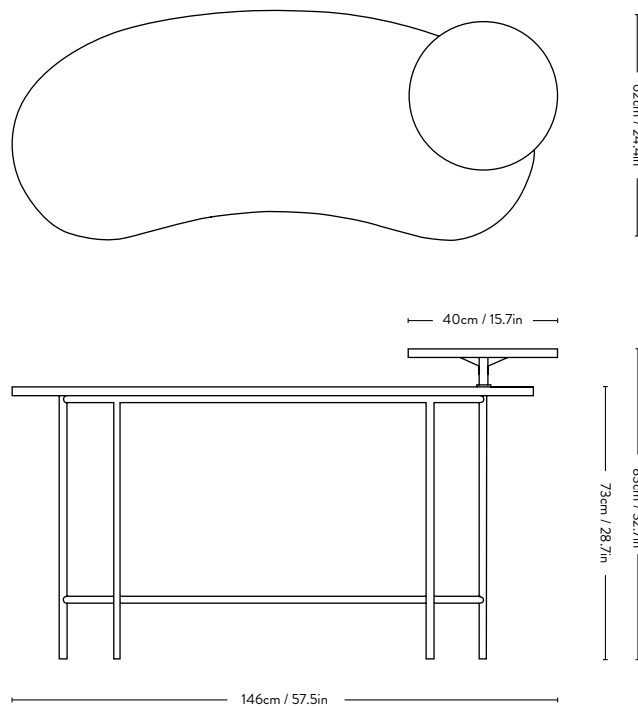


Item no.	Product	Model	Colli qty.	Lead time	Weight	PRICE EX. VAT (EUR)
83351194	Nero Marquina marble, Black Lacquered Ash veneer	JH9	1 pc	Stock item	22.00 kg	1.816

Base	Colour
Steel	Black Powder Coated

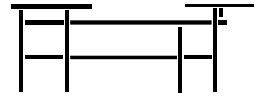
Table top	Colour
Marble	Polished Nero Marquina
Wood	Lacquered Ash veneer

Plastic gliders installed as standard.



JH9

Palette ^{JH25} Jaime Hayon 2018

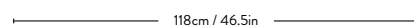
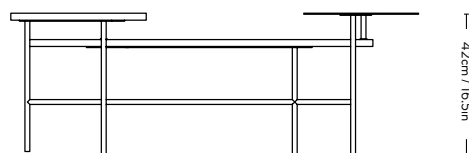
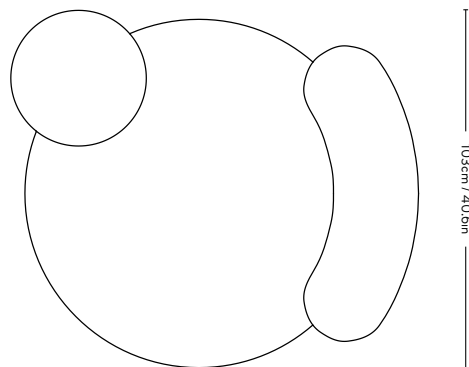


Item no.	Product	Model	Colli qty.	Lead time	Weight	PRICE EX. VAT (EUR)
83361194	Brass, Nero Marquina marble, Black Lacquered Ash veneer	JH25	1 pc	Stock item	38.00 kg	2.157

Base	Colour
Steel	Black Powder Coated

Table top	Colour
Metal	Satin polished brass
Marble	Polished Nero Marquina
Wood	Lacquered Ash veneer

Plastic gliders installed as standard.



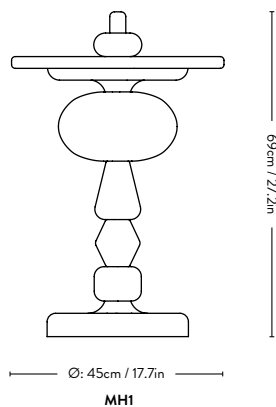
JH25

Shuffle^{MH1} Mia Hamborg 2010



Item no.	Product	Model	Colli qty.	Lead time	Weight	PRICE EX. VAT (EUR)
701031	Spectrum	MH1	1 pc	Stock item	11.00 kg	454
701032	Array	MH1	1 pc	Stock item	11.00 kg	454

Materials: Lacquered MDF and Oak.



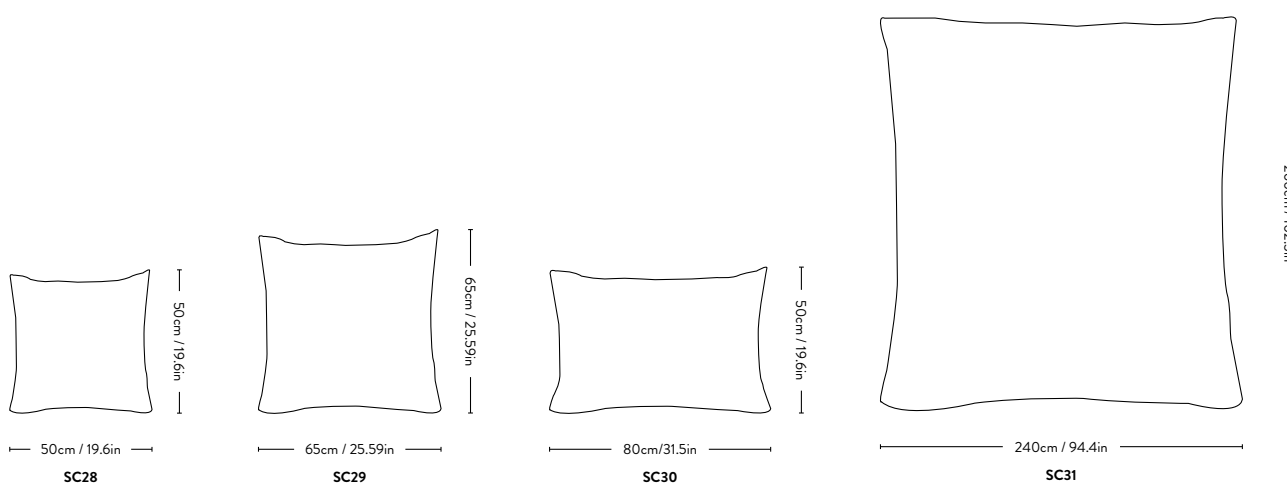
Collect | Linen SC28-SC31

Space Copenhagen 2020



Item no.	Product	Model	Colour	Colli qty.	Lead time	Weight	PRICE EX. VAT (EUR)
25010106	Collect Cushion	SC28	Cloud	1 pc	Stock item	0.86 kg	62
25010110	50x50cm		Powder				
25010118			Slate				
25010139			Sage				
25010107	Collect Cushion	SC29	Cloud	1 pc	Stock item	1.59 kg	85
25010111	65x65cm		Powder				
25010119			Slate				
25010140			Sage				
25010108	Collect Cushion	SC30	Cloud	1 pc	Stock item	1.67 kg	96
25010112	50x80cm		Powder				
25010120			Slate				
25010141			Sage				
25010002	Collect Bedspread	SC31	Cloud	1 pc	Stock item	1.31 kg	340
25010003	240x260cm		Powder				
25010005			Slate				
25010007			Sage				

Material: The cushion & bedspread cover is made from 100% pure linen, the inner sham is 100% cotton and the filling consist of 50% feather, 50% down.



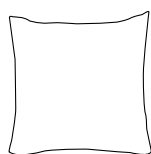
Collect | Heavy Linen SC28 & SC30

Space Copenhagen 2020



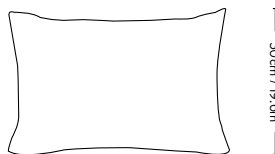
Item no.	Product	Model	Colour	Colli qty.	Lead time	Weight	PRICE EX. VAT (EUR)
25010157	Collect Cushion	SC28	Slate	1 pc	Stock item	1.00 kg	102
25010215	50x50cm		Sage				
25010219			Sienna				
25010159	Collect Cushion	SC30	Slate	1 pc	Stock item	1.90 kg	124
25010217	50x80cm		Sage				
25010221			Sienna				

Materials: The cushion cover is made from 91% heavy linen, and 9% polyamide, the inner sham is 100% cotton and the filling consist of 50% feather, 50% down.



50cm / 19.6in

SC28



80cm / 31.4in

SC30

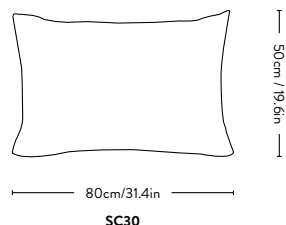
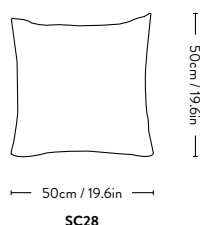
Collect | Boucle SC28 & SC30

Space Copenhagen 2020



Item no.	Product	Model	Colour	Colli qty.	Lead time	Weight	PRICE EX. VAT (EUR)
25010165	Collect Cushion	SC28	Ivory & Granite	1 pc	Stock item	1.05 kg	102
25010169	50x50cm		Ivory				
25010173			Ivory & Sand				
25010207			Slate				
25010167	Collect Cushion	SC30	Ivory & Granite	1 pc	Stock item	2.02 kg	124
25010171	50x80cm		Ivory				
25010175			Ivory & Sand				
25010209			Slate				

Materials: The cushion cover is made from 40% polyacrylic, 29% viscose, 15% nylon, 9% polyester, 7% wool, the inner sham is 100% cotton and the filling consist of 50% feather, 50% down.

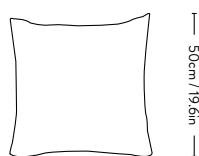


Collect | Weave ^{SC28 & SC48} Space Copenhagen 2022



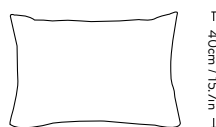
Item no.	Product	Model	Colour	Colli qty.	Lead time	Weight	PRICE EX. VAT (EUR)
25010222	Collect Cushion	SC28	Coco	1 pc	Stock item	1.24 kg	113
25010224	50x50cm		Almond				
25010223	Collect Cushion	SC48	Coco	1 pc	Stock item	2.00 kg	113
25010225	40x60cm		Almond				

Materials: 72% Cotton, 28% Wool.



50cm / 19.6in

SC28



60cm / 23.6in

SC48

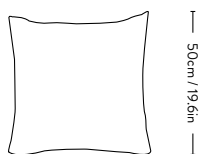
Collect | Soft Boucle SC28 & SC48

Space Copenhagen 2022



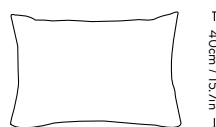
Item no.	Product	Model	Colour	Colli qty.	Lead time	Weight	PRICE EX. VAT (EUR)
25010014	Collect Cushion	SC28	Sage	1 pc	Stock item	1.26 kg	102
25010016	50x50cm		Cloud				
25010018			Moss				
25010015	Collect Cushion	SC48	Sage	1 pc	Stock item	1.80 kg	102
25010017	40x60cm		Cloud				
25010019			Moss				

Materials: 56% Acrylic, 37% Cotton, 7% Recycled Polyester



50cm / 19.6in

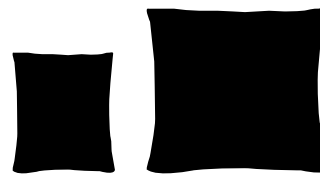
SC28



60cm / 23.6in

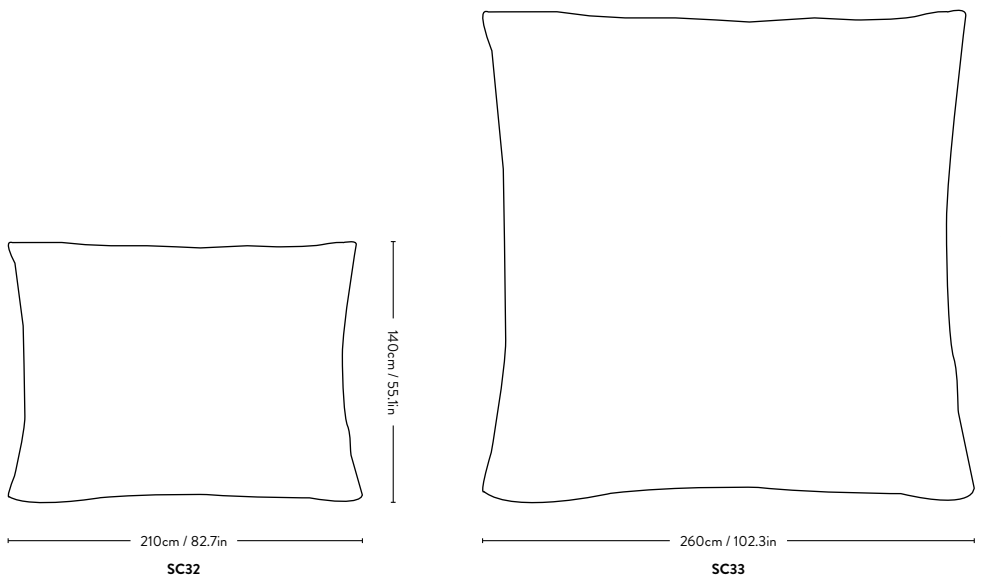
SC48

Collect | Cotton Throw ^{SC32 & SC33} Space Copenhagen 2020



Item no.	Product	Model	Colour	Colli qty.	Lead time	Weight	PRICE EX. VAT (EUR)
25010176	Collect Throw 140x210cm	SC32	Cloud & Milk	1 pc	Stock item	0.95 kg	90
25010178	Collect Throw 140x210cm	SC32	Cloud & Slate	1 pc	Stock item	0.95 kg	90
25010180	Collect Throw 140x210cm	SC32	Cloud & Burgundy	1 pc	Stock item	0.95 kg	90
25010184	Collect Throw 140x210cm	SC32	Cloud & Blue	1 pc	Stock item	0.95 kg	90
25010202	Collect Throw 140x210cm	SC32	Cloud & Sage	1 pc	Stock item	0.95 kg	90
25010177	Collect Throw 260x260cm	SC33	Cloud & Milk	1 pc	Stock item	2.00 kg	170
25010179	Collect Throw 260x260cm	SC33	Cloud & Slate	1 pc	Stock item	2.00 kg	170
25010181	Collect Throw 260x260cm	SC33	Cloud & Burgundy	1 pc	Stock item	2.00 kg	170
25010185	Collect Throw 260x260cm	SC33	Cloud & Blue	1 pc	Stock item	2.00 kg	170
25010203	Collect Throw 260x260cm	SC33	Cloud & Sage	1 pc	Stock item	2.00 kg	170

Materials: 100% Organic Cotton.

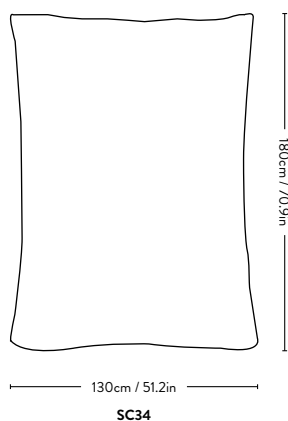


Collect | Woolen Blanket ^{SC34} Space Copenhagen 2020



Item no.	Product	Model	Colour	Colli qty.	Lead time	Weight	PRICE EX. VAT (EUR)
25010148	Collect Woolen Blanket 130x180cm	SC34	Cloud & Milk	1 pc	Stock item	0.68 kg	215
25010149	Collect Woolen Blanket 130x180cm	SC34	Cloud & Willow	1 pc	Stock item	0.68 kg	215
25010150	Collect Woolen Blanket 130x180cm	SC34	Cloud & Hazel	1 pc	Stock item	0.68 kg	215
25010151	Collect Woolen Blanket 130x180cm	SC34	Cloud & Amber	1 pc	Stock item	0.68 kg	215

Materials: 100% extra fine Merino Wool.

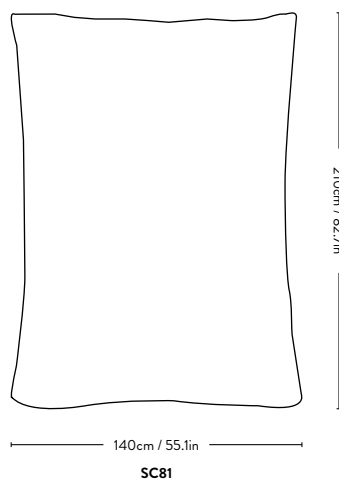


Collect | Throw ^{SC81} Space Copenhagen 2022

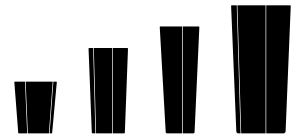


Item no.	Product	Model	Colour	Colli qty.	Lead time	Weight	PRICE EX. VAT (EUR)
25010008	Collect Throw 140x210cm	SC81	Sienna & Cloud	1 pc	Stock item	1.10 kg	170
25010009	Collect Throw 140x210cm	SC81	Moss & Cloud	1 pc	Stock item	1.10 kg	170
25010010	Collect Throw 140x210cm	SC81	Sand & Cloud	1 pc	Stock item	1.10 kg	170

Materials: 60% Organic Cotton, 40% Linen

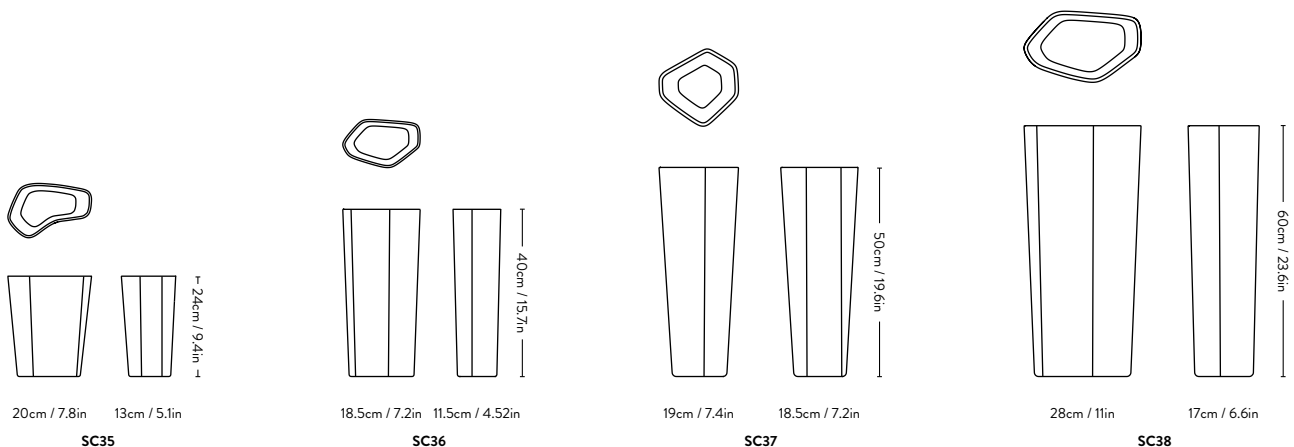


Collect | Glass Vase ^{SC35-SC38} Space Copenhagen 2020



Item no.	Product	Colour	Model	Colli qty.	Lead time	Weight	PRICE EX. VAT (EUR)
25050010	Collect Glass Vase	Clear	SC35	1 pc	Stock item	2.30 kg	102
25050011	H:24xW:20cm	Smoked					
25050012		Caramel					
25050013	Collect Glass Vase	Clear	SC36	1 pc	Stock item	3.90 kg	204
25050014	H:40xW:8.5cm	Smoked					
25050015		Caramel					
25050016	Collect Glass Vase	Clear	SC37	1 pc	Stock item	5.70 kg	295
25050017	H:50xW:19cm	Smoked					
25050018		Caramel					
25050019	Collect Glass Vase	Clear	SC38	1 pc	Stock item	9.10 kg	476
25050020	H:60xW:28cm	Smoked					
25050021		Caramel					

Materials: Mouth blown glass.



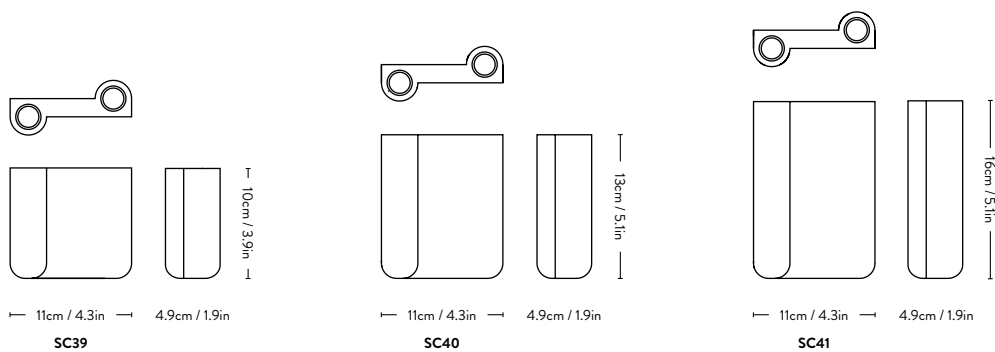
Collect | Candleholder SC39-SC41

Space Copenhagen 2020



Item no.	Product	Model	Colour	Colli qty.	Lead time	Weight	PRICE EX. VAT (EUR)
25050022	Collect Candleholder H:10xW:11cm	SC39	Bronzed Brass	1 pc	Stock item	0.97 kg	102
25050023	Collect Candleholder H:13xW:11cm	SC40	Bronzed Brass	1 pc	Stock item	1.10 kg	113
25050024	Collect Candleholder H:16xW:11cm	SC41	Bronzed Brass	1 pc	Stock item	1.40kg	136

Materials: Brass.

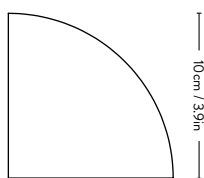


Collect | Object ^{SC42} Space Copenhagen 2020



Item no.	Product	Model	Colour	Colli qty.	Lead time	Weight	PRICE EX. VAT (EUR)
25050025	Collect Object 10x10cm	SC42	Bronzed Brass	1 pc	Stock item	1.36 kg	147

Materials: Brass



10cm / 3.9in
SC42

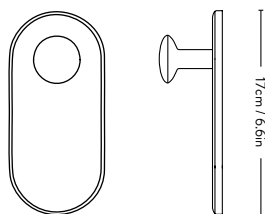
Collect | Hook & Hanger SC46 & SC47

Space Copenhagen 2020



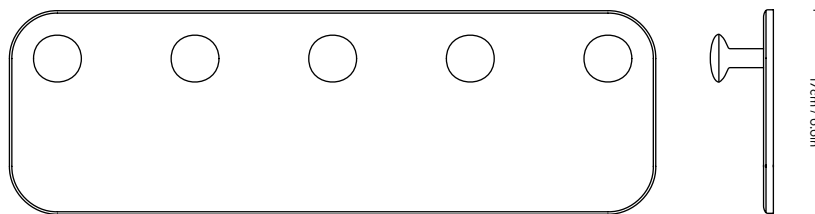
Item no.	Product	Model	Colour	Colli qty.	Lead time	Weight	PRICE EX. VAT (EUR)
25050032	Collect Hook W: 8 x D: 0.8 x H: 17 cm	SC46	Bronzed Brass	1 pc	Stock item	0.26 kg	45
25050033	Collect Hook W: 8 x D: 0.8 x H: 17 cm	SC46	Aged Brass	1 pc	Stock item	0.26 kg	45
25050034	Collect Hook W: 8 x D: 0.8 x H: 17 cm	SC46	Tarnished Silver	1 pc	Stock item	0.26 kg	45
25050035	Collect Hanger W: 54 x D: 0.8 x H: 17 cm	SC47	Bronzed Brass	1 pc	Stock item	1.59 kg	170
25050036	Collect Hanger W: 54 x D: 0.8 x H: 17 cm	SC47	Aged Brass	1 pc	Stock item	1.59 kg	170
25050037	Collect Hanger W: 54 x D: 0.8 x H: 17 cm	SC47	Tarnished Silver	1 pc	Stock item	1.59 kg	170

Materials: Galvanized steel.



8cm / 3.1in
SC46

3.8cm / 1.4in



54cm / 21.2in
SC47

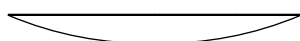
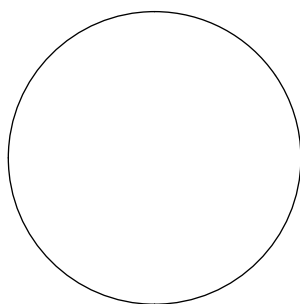
3.8cm / 1.4in

Collect | Plate^{SC55} Space Copenhagen 2020



Item no.	Product	Model	Colour	Colli qty.	Lead time	Weight	PRICE EX. VAT (EUR)
25050009	Collect Plate Ø50cm	SC55	Beige Travertine	1 pc	Stock item	8.50 kg	397

Materials: Unfilled beige travertine.



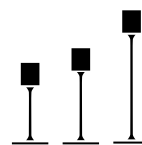
H: 5cm / 1.9in

Ø: 50cm / 19in

SC55

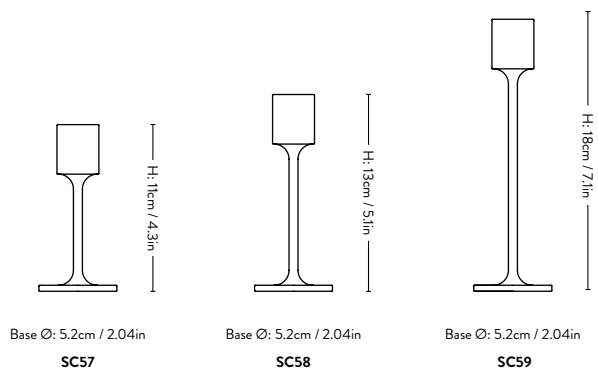
Collect | Candleholder SC57-SC59

Space Copenhagen 2021



Item no.	Product	Model	Colour	Colli qty.	Lead time	Weight	PRICE EX. VAT (EUR)
25050038	Collect Candleholder H:11cm	SC57	Brushed Brass	4 pcs	Stock item	0.20 kg	33
25050039	Collect Candleholder H:13cm	SC58	Brushed Brass	4 pcs	Stock item	0.21 kg	39
25050040	Collect Candleholder H:18cm	SC59	Brushed Brass	4 pcs	Stock item	0.22 kg	45

Materials: Brushed Brass.



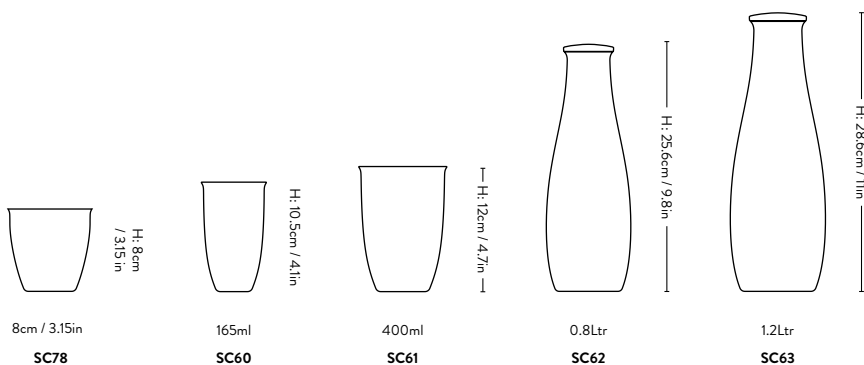
Collect | Glass & Carafe SC60-SC63

Space Copenhagen 2021



Item no.	Product	Model	Colour	Colli qty.	Lead time	Weight	PRICE EX. VAT (EUR)
25050156	Collect Glass 2 pcs	SC78 NEW	Clear	4 pcs	Stock item	0.18 kg	28
25050158	H: 8cm	Amber					
25050157		Moss					
25050041	Collect Glass 2 pcs	SC60	Clear	4 pcs	Stock item	0.14 kg	26
25050123	H: 10.5cm	Amber					
25050119		Moss					
25050042	Collect Glass 2 pcs	SC61	Clear	4 pcs	Stock item	0.20 kg	31
25050124	H: 12cm	Amber					
25050120		Moss					
25050043	Collect Carafe	SC62	Clear	2 pcs	Stock item	0.24 kg	39
25050125	H: 25cm	Amber					
25050121		Moss					
25050044	Collect Carafe	SC63	Clear	2 pcs	Stock item	0.34 kg	45
25050126	H: 28cm	Amber					
25050122		Moss					

Materials: Mouth blown glass.



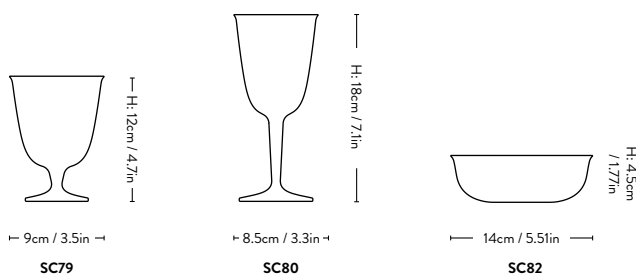
NEW

Collect | Wine glass & Bowl SC79, SC80 & SC82 Space Copenhagen 2021



Item no.	Product	Model	Colour	Colli qty.	Lead time	Weight	PRICE EX. VAT (EUR)
25050159	Collect Wine glass 2 pcs H: 12cm	SC79	Clear	4 pcs	Stock item	0.22 kg	45
25050160	Collect Wine glass 2 pcs H: 18cm	SC80	Clear	4 pcs	Stock item	0.23 kg	51
25050161	Collect Bowl 2 pcs H:4.5cm, Ø: 14cm	SC82	Clear	8 pcs	Stock item	0.20 kg	28

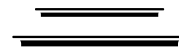
Materials: Mouth blown glass.



Collect | Tray SC64 & SC65

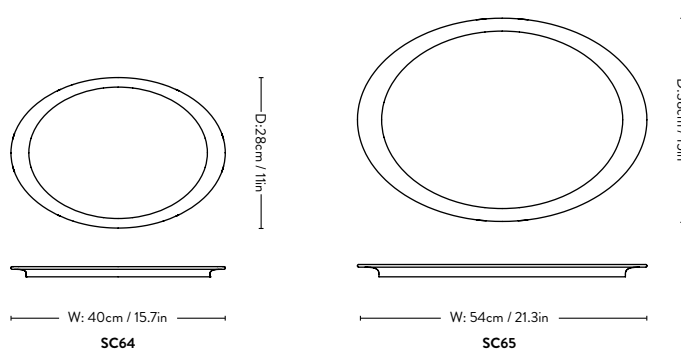
Space Copenhagen

2021



Item no.	Product	Model	Colour	Colli qty.	Lead time	Weight	PRICE EX. VAT (EUR)
25050045	Collect Tray W: 40cm x D: 28cm x H:2cm	SC64	Oak	1 pc	Stock item	0.35 kg	90
25050046	Collect Tray W: 40cm x D: 28cm x H:2cm	SC64	Walnut	1 pc	Stock item	0.35 kg	124
25050049	Collect Tray W: 40cm x D: 28cm x H:2cm	SC64	Black Oak NEW	1 pc	Stock item	0.35 kg	90
25050047	Collect Tray W: 54cm x D: 38cm x H: 2.3cm	SC65	Oak	1 pc	Stock item	0.67 kg	147
25050048	Collect Tray W: 54cm x D: 38cm x H: 2.3cm	SC65	Walnut	1 pc	Stock item	0.67 kg	192
25050050	Collect Tray W: 54cm x D: 38cm x H: 2.3cm	SC65	Black Oak NEW	1 pc	Stock item	0.67 kg	147

Materials: Lacquered oak or walnut.



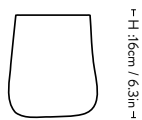
Collect | Ceramic Vase SC66-SC68

Space Copenhagen 2021



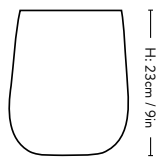
Item no.	Product	Model	Colour	Colli qty.	Lead time	Weight	PRICE EX. VAT (EUR)
25050051	Collect Ceramic vase W: 14 x D: 14.5 x H: 16 cm	SC66	Ease	4 pcs	Stock item	0.80 kg	45
25050052	Collect Ceramic vase W: 19 x D: 24 x H: 23 cm	SC67	Dive	2 pcs	Stock item	1.90 kg	90
25050053	Collect Ceramic vase W: 15.6 x D: 16 x H: 26 cm	SC68	Whisper	2 pcs	Stock item	1.30 kg	79

Materials: Ceramic.



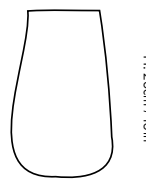
W: 14cm / 5.5in
D: 15cm / 5.9in

SC66



W: 19cm / 7.5in
D: 24cm / 9.4in

SC67



W: 16cm / 6.1in
D: 16cm / 6.1in

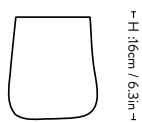
SC68

Collect | Crafted Glass Vase ^{SC66-SC68} Space Copenhagen 2021



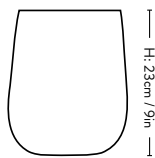
Item no.	Product	Model	Colour	Colli qty.	Lead time	Weight	PRICE EX. VAT (EUR)
25050074	Collect Crafted glass W: 14 x D: 14.5 x H: 16 cm	SC66	Shadow	4 pcs	Stock item	0.90 kg	56
25050075	Collect Crafted glass W: 19 x D: 24 x H: 23 cm	SC67	Forest	2 pcs	Stock item	2.10 kg	113
25050076	Collect Crafted glass W: 15.6 x D: 16 x H: 26 cm	SC68	Powder	2 pcs	Stock item	1.40 kg	102

Materials: Glass.



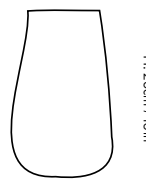
W: 14cm / 5.5in
D: 15cm / 5.7in

SC66



W: 19cm / 7.5in
D: 24cm / 9.4in

SC67



W: 16cm / 6.1in
D: 16cm / 6.1in

SC68

Collect | Planter SC69-SC72

Space Copenhagen 2021



Item no.	Product	Model	Colour	Colli qty.	Lead time	Weight	PRICE EX. VAT (EUR)
25050054	Collect Planter Ø:12cm, H:13cm	SC69	Sage	6 pcs	Stock item	0.48 kg	19
25050055			Slate				
25050057			Ochre				
25050058			Sienna				
25050077			Silver				
25050083			Milk				
25050059	Collect Planter Ø:15cm, H:18cm	SC70	Sage	6 pcs	Stock item	1.00 kg	26
25050060			Slate				
25050062			Ochre				
25050063			Sienna				
25050078			Silver				
25050084			Milk				
25050064	Collect Planter Ø:24cm, H:18cm	SC71	Sage	2 pcs	Stock item	2.24 kg	45
25050065			Slate				
25050067			Ochre				
25050068			Sienna				
25050079			Silver				
25050085			Milk				
25050069	Collect Planter Ø:20cm, H:24cm	SC72	Sage	2 pcs	Stock item	2.04 kg	45
25050070			Slate				
25050072			Ochre				
25050073			Sienna				
25050080			Silver				
25050086			Milk				

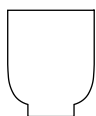
Materials: Polystone.



H: 13cm / 5.1in

Ø: 12cm / 4.7in

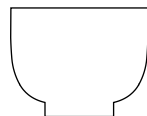
SC69



H: 18cm / 7in

Ø: 15cm / 5.9in

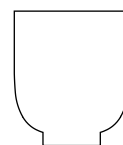
SC70



H: 18cm / 7in

Ø: 24cm / 9.4in

SC71



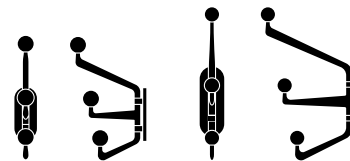
H: 24cm / 9.4in

Ø: 20cm / 7.9in

SC72

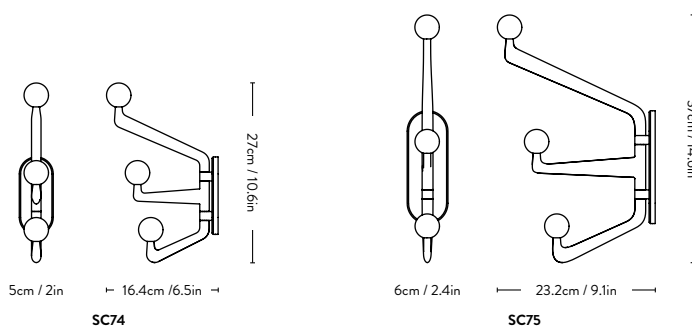
Capture | Hook SC74 & SC75

Space Copenhagen 2022

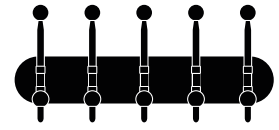


Item no.	Product	Model	Colour	Colli qty.	Lead time	Weight	PRICE EX. VAT (EUR)
25050101	Capture Small Hook	SC74	Graphite / Colour knob	1 pc	Stock item	0.60 kg	90
25050100	Capture Small Hook	SC74	Graphite / Oak knob	1 pc	Stock item	0.60 kg	90
25050105	Capture Large Hook	SC75	Graphite / Colour knob	1 pc	Stock item	1.00 kg	113
25050104	Capture Large Hook	SC75	Graphite / Oak knob	1 pc	Stock item	1.00 kg	113

Materials: Powder coated aluminium and lacquered oak.

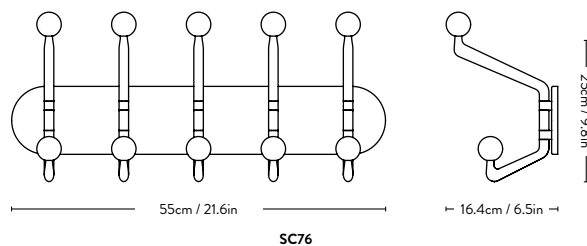


Capture | Hanger ^{SC76} Space Copenhagen 2022



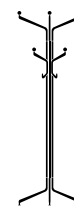
Item no.	Product	Model	Colour	Colli qty.	Lead time	Weight	PRICE EX. VAT (EUR)
25050109	Capture Hanger	SC76	Graphite / Colour knob	1 pc	Stock item	2.00 kg	227
25050108	Capture Hanger	SC76	Graphite / Oak knob	1 pc	Stock item	2.00 kg	227

Materials: Powder coated aluminium and lacquered oak.



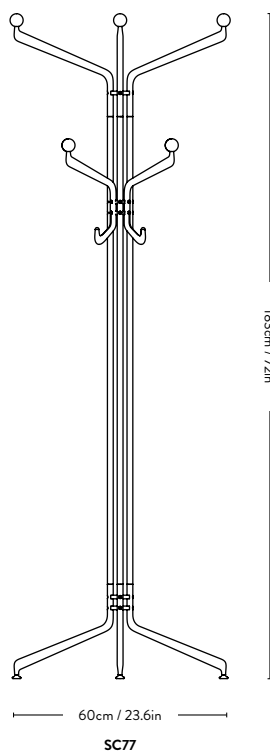
SC76

Capture | Coat stand ^{SC77} Space Copenhagen 2022



Item no.	Product	Model	Colour	Colli qty.	Lead time	Weight	PRICE EX. VAT (EUR)
25050113	Capture Coat stand	SC77	Graphite / Colour knob	1 pc	Stock item	6.00 kg	567
25050112	Capture Coat stand	SC77	Graphite / Oak knob	1 pc	Stock item	6.00 kg	567

Materials: Powder coated aluminium and lacquered oak.

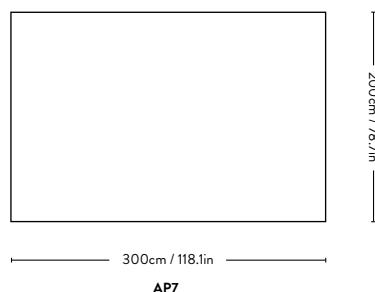
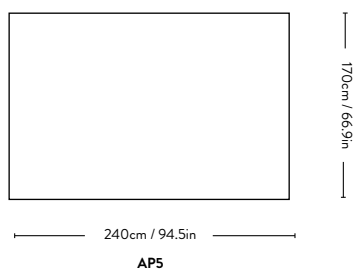


The Moor ^{AP5 & AP7} All the Way to Paris 2016

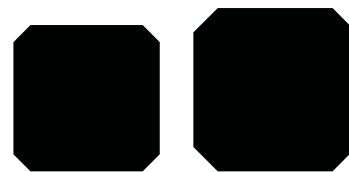


Item no.	Colour	Size	Model	Colli qty.	Lead time	Weight	PRICE EX. VAT (EUR)
20991142	Red Heather	170x240cm	AP5	1 pc	Stock item	25.00 kg	1.192
20991144	Brown Gold	170x240cm	AP5	1 pc	Stock item	25.00 kg	1.192
20991191	Beige Dew	170x240cm	AP5	1 pc	Stock item	25.00 kg	1.192
20991195	Green Pine	170x240cm	AP5	1 pc	Stock item	25.00 kg	1.192
20991196	Grey Blue Thunder	170x240cm	AP5	1 pc	Stock item	25.00 kg	1.192
20991197	Blue Midnight	170x240cm	AP5	1 pc	Stock item	25.00 kg	1.192
20991342	Red Heather	200x300cm	AP7	1 pc	Stock item	30.00 kg	1.760
20991344	Brown Gold	200x300cm	AP7	1 pc	Stock item	30.00 kg	1.760
20991391	Beige Dew	200x300cm	AP7	1 pc	Stock item	30.00 kg	1.760
20991395	Green Pine	200x300cm	AP7	1 pc	Stock item	30.00 kg	1.760
20991396	Grey Blue Thunder	200x300cm	AP7	1 pc	Stock item	30.00 kg	1.760
20991397	Blue Midnight	200x300cm	AP7	1 pc	Stock item	30.00 kg	1.760
20971000	Rug underlay	165x240cm		1 pc	Stock item	2.20 kg	56
20971001	Rug underlay	190x290cm		1 pc	Stock item	3.34 kg	68

Material: Handloom-woven from 85% New Zealand wool & 15% viscose.

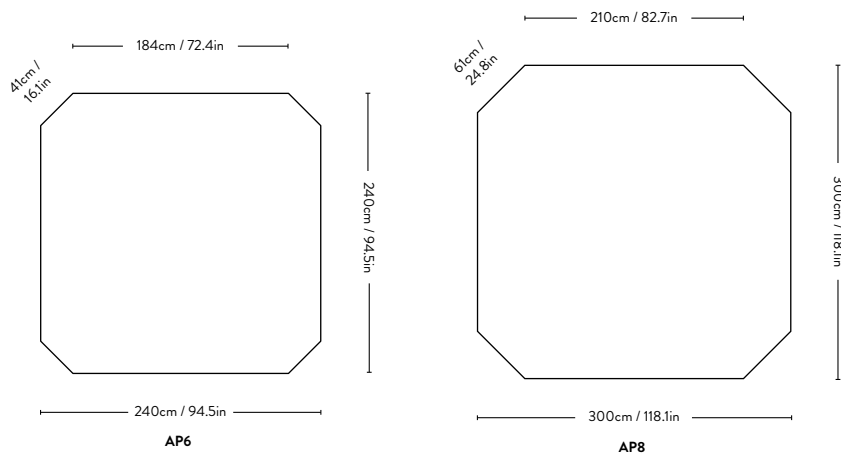


The Moor ^{AP6 & AP8} All the Way to Paris 2016



Item no.	Colour	Size	Model	Colli qty.	Lead time	Weight	PRICE EX. VAT (EUR)
20991242	Red Heather	240x240cm	AP6	1 pc	Stock item	30.00 kg	1.532
20991244	Brown Gold	240x240cm	AP6	1 pc	Stock item	30.00 kg	1.532
20991291	Beige Dew	240x240cm	AP6	1 pc	Stock item	30.00 kg	1.532
20991295	Green Pine	240x240cm	AP6	1 pc	Stock item	30.00 kg	1.532
20991296	Grey Blue Thunder	240x240cm	AP6	1 pc	Stock item	30.00 kg	1.532
20991293	Blue Midnight	240x240cm	AP6	1 pc	Stock item	30.00 kg	1.532
20991594	Red Heather	300x300cm	AP8	1 pc	Stock item	35.00 kg	2.384
20991544	Brown Gold	300x300cm	AP8	1 pc	Stock item	35.00 kg	2.384
20991591	Beige Dew	300x300cm	AP8	1 pc	Stock item	35.00 kg	2.384
20991595	Green Pine	300x300cm	AP8	1 pc	Stock item	35.00 kg	2.384
20991596	Grey Blue Thunder	300x300cm	AP8	1 pc	Stock item	35.00 kg	2.384
20991593	Blue Midnight	300x300cm	AP8	1 pc	Stock item	35.00 kg	2.384
20971000	Rug underlay	165x240cm		1 pc	Stock item	2.20 kg	56
20971001	Rug underlay	190x290cm		1 pc	Stock item	3.34 kg	68

Material: Handloom-woven from 85% New Zealand wool & 15% viscose.



The Moor custom made version

All the Way to Paris

2016

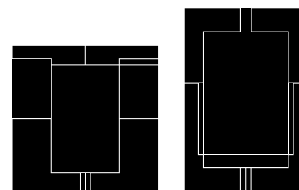
Item no.	Product	Model	Colli qty.	Lead time	PRICE EX. VAT (EUR)
20991100	COM Square	Square	1 pc	22-24 weeks	400
20991101	COM Round & Oval	Round & Oval	1 pc	22-24 weeks	480

Material: Handloom-woven from 85% New Zealand wool & 15% viscose.

*The price is per square meter.

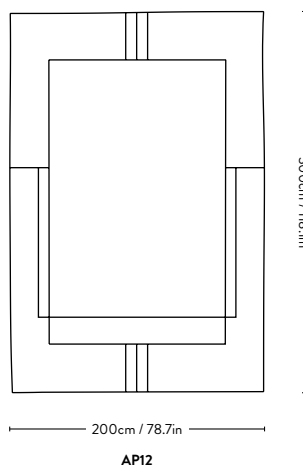
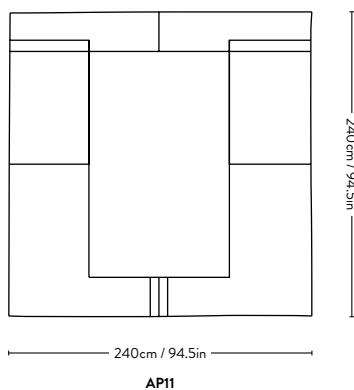
Cruise AP11 & AP12

All the Way to Paris 2022

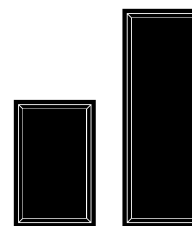


Item no.	Colour	Size	Model	Colli qty.	Lead time	Weight	PRICE EX. VAT (EUR)
20991700	Bombay Golden Brown	240x240cm	AP11	1 pc	Stock item	23.1 kg	1.532
20991701	Aden Desert Beige	240x240cm	AP11	1 pc	Stock item	23.1 kg	1.532
20991702	Bombay Golden Brown	200x300cm	AP12	1 pc	Stock item	23.4 kg	1.760
20991703	Aden Desert Beige	200x300cm	AP12	1 pc	Stock item	23.4 kg	1.760

Materials: New Zealand Wool 77%, Viscose 13%, Bamboo Silk 10%

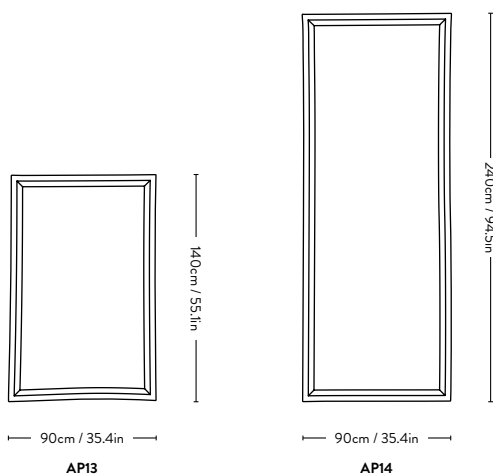


Framed ^{AP13 & AP14} All the Way to Paris 2022

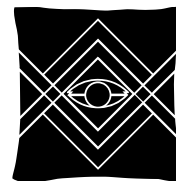


Item no.	Colour	Size	Model	Colli qty.	Lead time	Weight	PRICE EX. VAT (EUR)
20991704	Sisal	90 x 140 cm	AP13	1 pc	Stock item	1.80 kg	283
20991705	Plum	90 x 140 cm	AP13	1 pc	Stock item	1.80 kg	283
20991706	Sisal	90 x 240 cm	AP14	1 pc	Stock item	3.00 kg	454
20991707	Plum	90 x 240 cm	AP14	1 pc	Stock item	3.00 kg	454

Material: 100% New Zealand wool

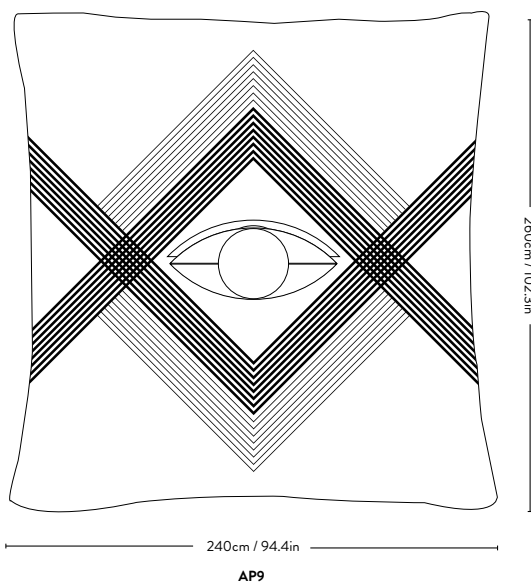


The Eye ^{AP9} All the Way to Paris 2021



Item no.	Colour	Size	Model	Colli qty.	Lead time	Weight	PRICE EX. VAT (EUR)
25010125	Brown Earth	240x260cm	AP9	1 pc	Stock item	2.50 kg	227
25010127	Blue Midnight	240x260cm	AP9	1 pc	Stock item	2.50 kg	227

Material: 100% Organic Cotton.

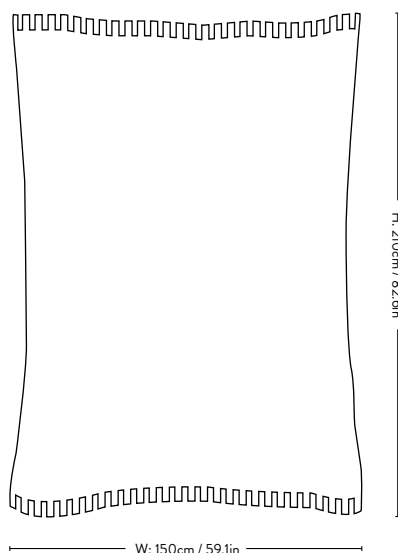


Untitled ^{AP10} All the Way to Paris 2021



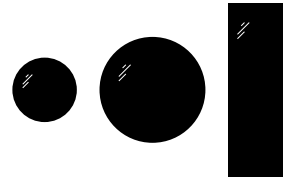
Item no.	Colour	Size	Model	Colli qty.	Lead time	Weight	PRICE EX. VAT (EUR)
25010134	Light Beige	210x150cm	AP10	1 pc	Stock item	1.00 kg	113
25010135	Desert Yellow	210x150cm	AP10	1 pc	Stock item	1.00 kg	113
25010136	Dark Green	210x150cm	AP10	1 pc	Stock item	1.00 kg	113
25010137	Electric Blue	210x150cm	AP10	1 pc	Stock item	1.00 kg	113

Material: 48% Cotton, 28% Wool, 12% Viscose, 12% Polyamide.



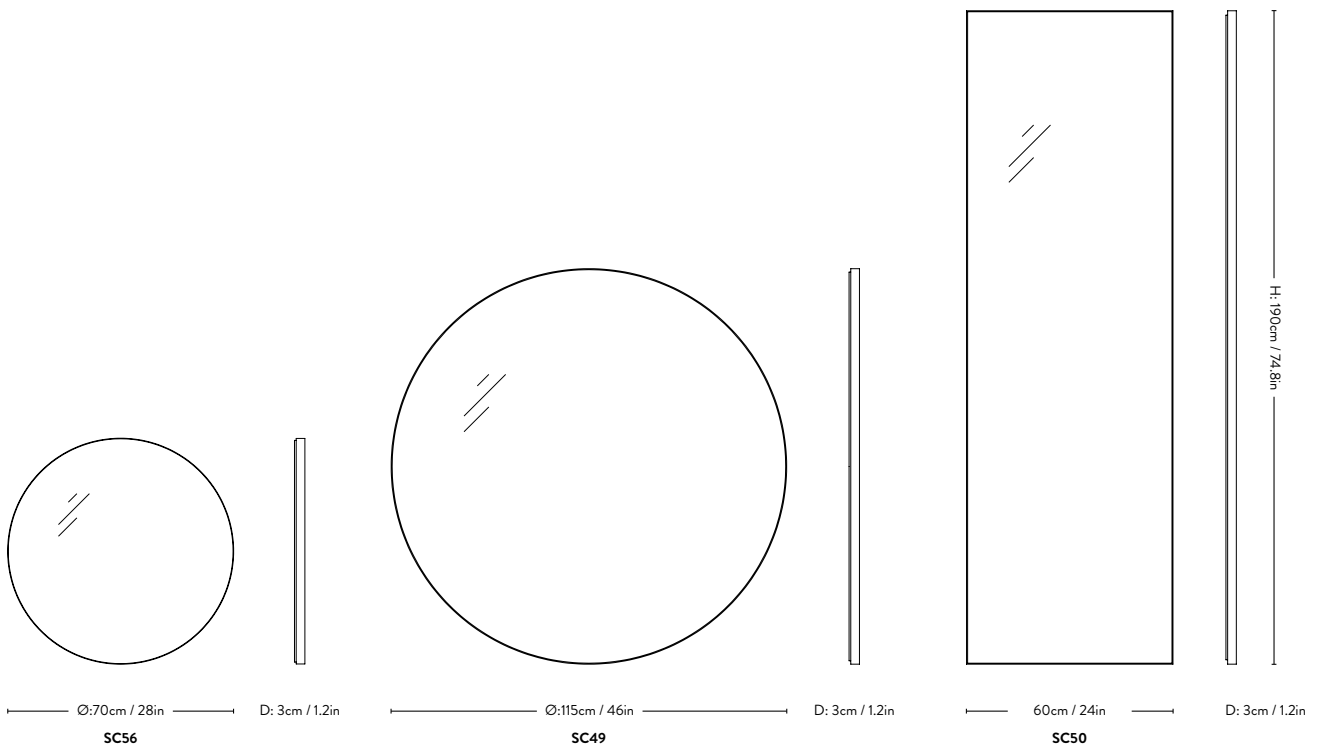
AP10

Amore SC49, SC50, SC56 Space Copenhagen 2018



Item no.	Colour	Size	Model	Colli qty.	Lead time	Weight	PRICE EX. VAT (EUR)
86101540	Bronzed Brass	Ø70cm	SC56	1 pc	Stock item	29.60 kg	851
86101640	Bronzed Brass	Ø115cm	SC49	1 pc	Stock item	25.80 kg	1.192
86101040	Bronzed Brass	60x190cm	SC50	1 pc	Stock item	29.60 kg	1.419

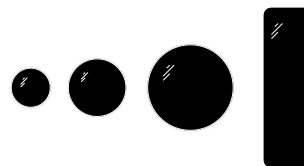
Material: Bronzed brass frame, silver coloured mirror, textile backing.



Sillon SH4-SH7

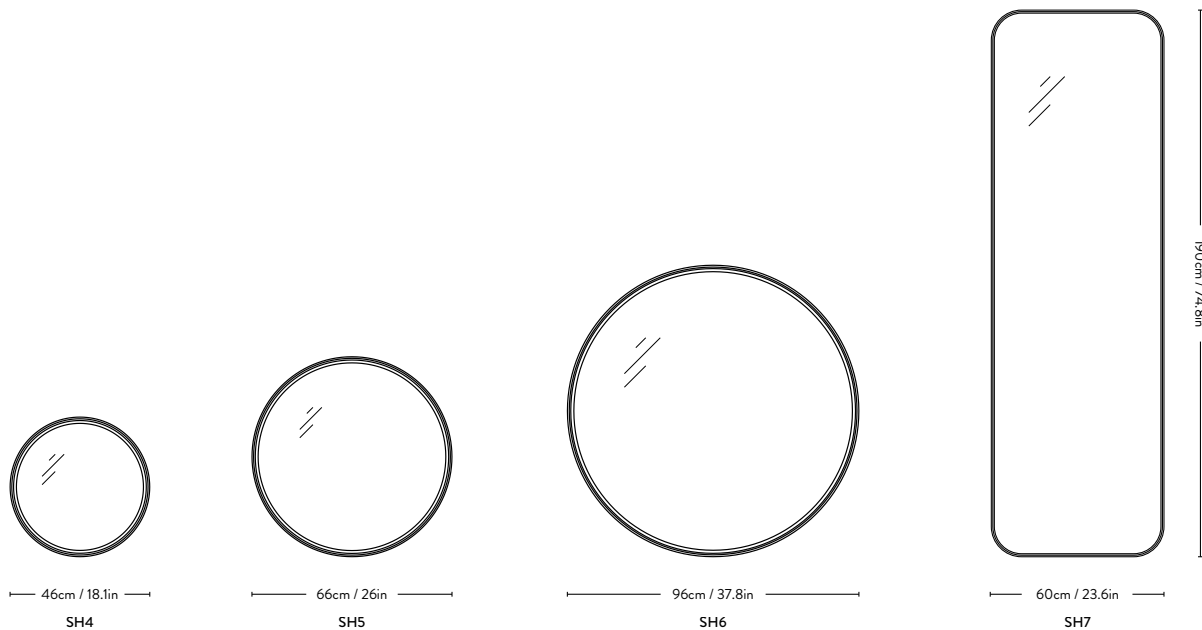
Sebastian Herkner

2019



Item no.	Colour	Size	Model	Colli qty.	Lead time	Weight	PRICE EX. VAT (EUR)
23101296	Brass	Ø46cm	SH4	1 pc	Stock item	4.50 kg	283
23101201	Stainless Steel	Ø46cm	SH4	1 pc	Stock item	4.50 kg	249
23101396	Brass	Ø66cm	SH5	1 pc	Stock item	8.00 kg	476
23101301	Stainless Steel	Ø66cm	SH5	1 pc	Stock item	8.00 kg	431
23101496	Brass	Ø96cm	SH6	1 pc	Stock item	14.50 kg	681
23101401	Stainless Steel	Ø96cm	SH6	1 pc	Stock item	14.50 kg	624
23101596	Brass	190x60cm	SH7	1 pc	Stock item	28.50 kg	1.362
23101501	Stainless Steel	190x60cm	SH7	1 pc	Stock item	28.50 kg	1.271

Material: Plated steel & silver coloured mirror

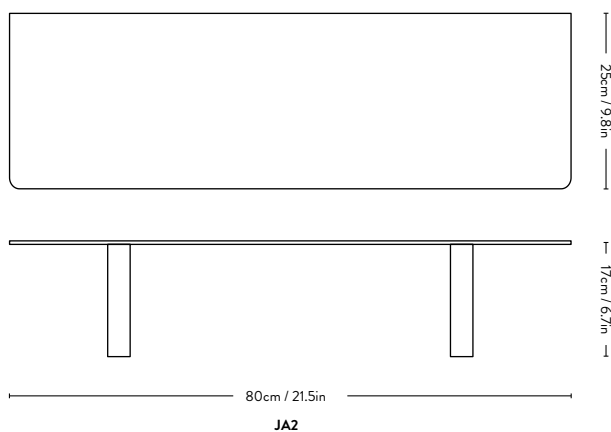
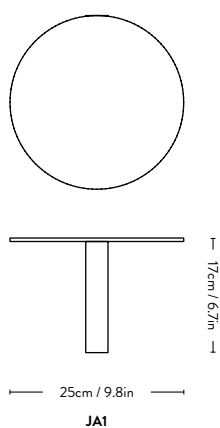


Column ^{JA1 & JA2} John Astbury 2019

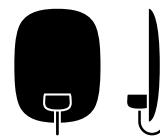


Item no.	Colour	Size	Model	Colli qty.	Lead time	Weight	PRICE EX. VAT (EUR)
86301002	Walnut & Black Aluminium	Ø25cm	JA1	1 pc	Stock item	1.80 kg	124
86302002	Walnut & Black Aluminium	80x25cm	JA2	1 pc	Stock item	4.00 kg	295

Material: Black anodized aluminium with solid walnut.

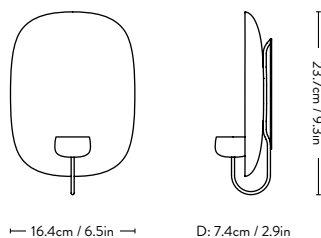


Votive ^{AV20} Anderssen & Voll 2022



Item no.	Product	Model	Colour	Colli qty.	Lead time	Weight	PRICE EX. VAT (EUR)
25050081	Votive	AV20	Brushed Brass	1 pc	Stock item	0.70 kg	136

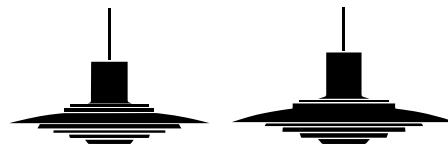
Materials: Brass



P376 KF1 & KF2

Kastholm & Fabricius

1963



Item no.	Product	Model	Colour	Cord	Colli qty.	Lead time	Weight	PRICE EX. VAT (EUR)
12010099	P376 Pendant	KF1	Aluminium	4m Black textile	1 pc	Stock item	3.70 kg	545
12010031	P376 Pendant	KF1	Matt White	4m White textile	1 pc	Stock item	3.70 kg	545
12020099	P376 Pendant	KF2	Aluminium	6m Black textile	1 pc	Stock item	7.00 kg	1.021
12020031	P376 Pendant	KF2	Matt White	6m White textile	1 pc	Stock item	7.00 kg	1.021

Technical Specification

KF1:

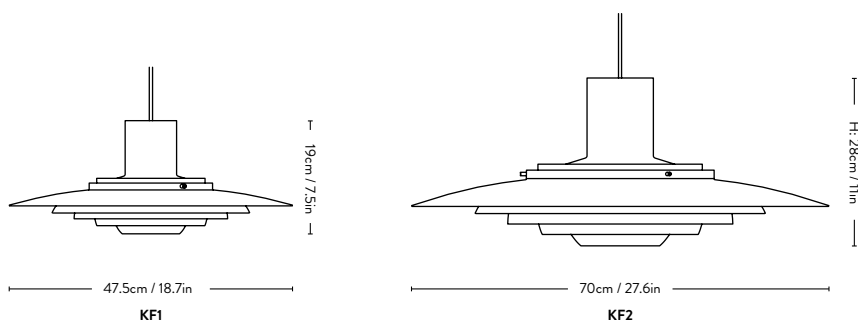
E27 Max 100 Watt
220-240V - 50Hz

KF2:

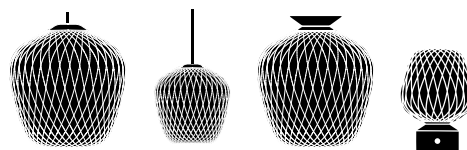
E27 Max 150 Watt
220-240V - 50Hz

Material: Lacquered aluminium.

Bulb is not included.
Canopy included



Blown ^{SW3-SW6} Samuel Wilkinson 2014, 2018 & 2019



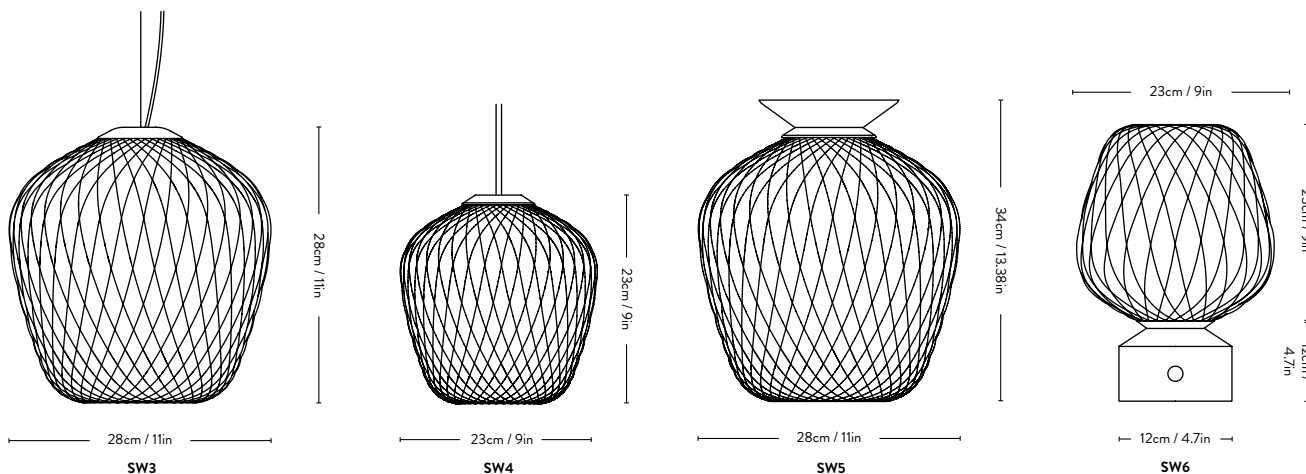
Item no.	Product	Model	Colour	Cord	Colli qty.	Lead time	Weight	PRICE EX. VAT (EUR)
20630594	Blown	SW3	Silver Lustre	4m Black textile	2 pcs	Stock item	4.10 kg	306
20641094	Blown	SW4	Silver Lustre	4m Black textile	2 pcs	Stock item	2.30 kg	238
20651094	Blown	SW5	Silver Lustre	N/A	2 pcs	Stock item	2.60 kg	306
20661094	Blown	SW6	Silver Lustre & Black Marble	2m Black textile	2 pcs	Stock item	2.80 kg	249

Technical Specification

SW3: E27 Max 60 Watt
 SW4: E14 Max 40 Watt
 SW5: E27 Max 60 Watt
 SW6: E14 Max 40 Watt

Material: Mouth blown glass and powder coated metal.

Bulb is not included.
 Canopy is included for pendants.



Passepartout^{JH10-JH12} Jaime Hayon 2016



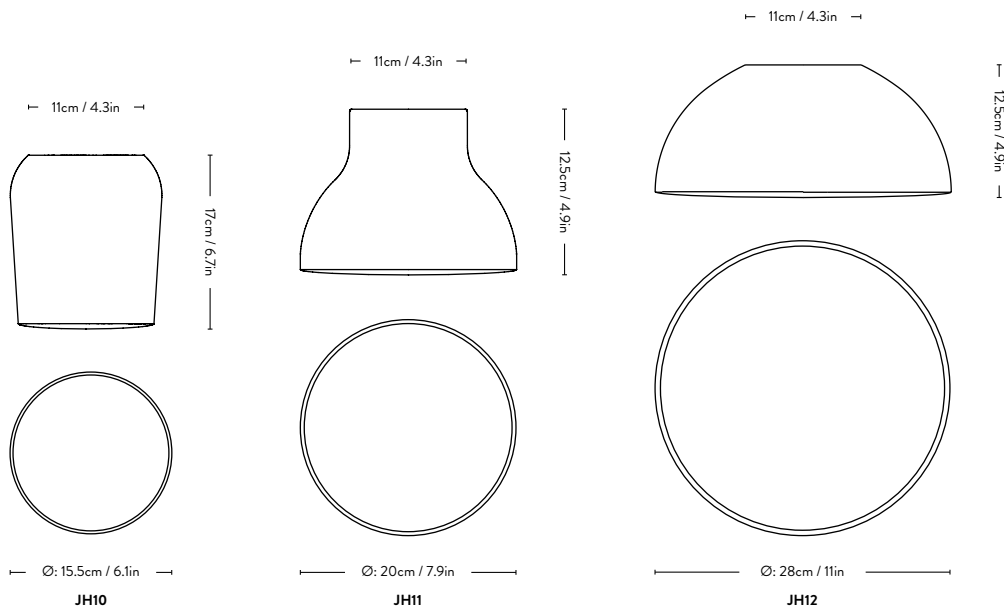
Item no.	Product	Model	Colour	Colli qty.	Lead time	Weight	PRICE EX. VAT (EUR)
83401197	Passepartout	JH10	Bronzed Brass	1 pc	Stock item	0.65 kg	283
83401191	Passepartout	JH10	Gold	1 pc	Stock item	0.65 kg	283
83401297	Passepartout	JH11	Bronzed Brass	1 pc	Stock item	0.75 kg	283
83401291	Passepartout	JH11	Gold	1 pc	Stock item	0.75 kg	283
83401397	Passepartout	JH12	Bronzed Brass	1 pc	Stock item	0.95 kg	283
83401391	Passepartout	JH12	Gold	1 pc	Stock item	0.95 kg	283

Technical Specification

11.5 Watt LED board, dimmable
 CRI: > 90
 Colour temperature (Kelvin): 2100-2700K
 Light output: JH10: 350 lumen
 JH11: 520 lumen
 JH12: 600 lumen
 Dimmability: Dim-to-warm
 IP class: IP20

Material: Aluminium, polycarbonate, ABS.

This product contains a light source of energy efficiency class F.
 LED board included – replaceable (spare part).



Tabata LN10

Luca Nichetto

2022



Item no.	Product	Model	Colour	Colli qty.	Lead time	Weight	PRICE EX. VAT (EUR)
86002094	Tabata	LN10	Black	1 pc	Stock item	1.6 kg	249
86002002	Tabata	LN10	Silk Grey	1 pc	Stock item	1.6 kg	249
86002044	Tabata	LN10	Dark Burgundy	1 pc	Stock item	1.6 kg	249

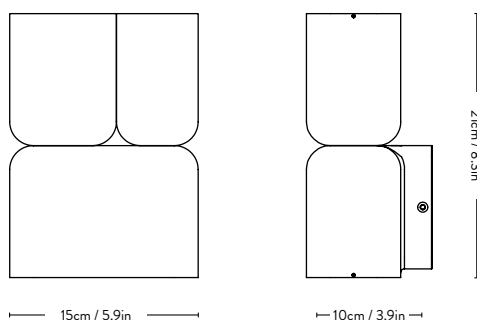
Technical Specification

Light source: G10, max 5 Watt (only LED)

Voltage: 220-240V - 50 Hz

Material: Powder coated aluminium & frosted acrylic

Bulb is not included.



Milk ^{NA1}

Norm Architects

2010



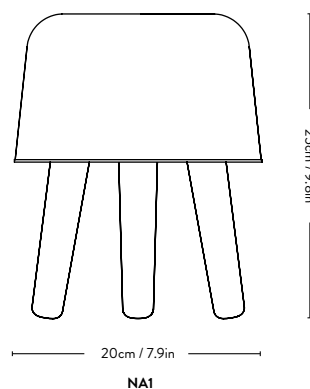
Item no.	Product	Model	Colour	Cord	Colli qty.	Lead time	Weight	PRICE EX. VAT (EUR)
20403030	Milk	NA1	Natural Ash	2m White textile w. dimmer	2 pcs	Stock item	0.95 kg	136
20403294	Milk	NA1	Smoked Oiled Ash	2m Black textile w. dimmer	2 pcs	Stock item	0.95 kg	136

Technical Specification

G9 Max 40 Watt

Material: White opal glass, solid ash legs.

Bulb is not included.



NEW

Colette ^{ATD6} 2022



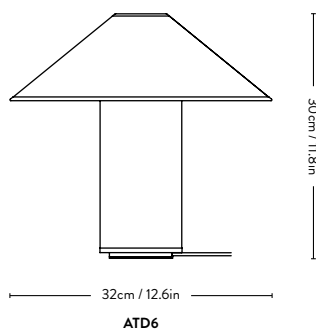
Item no.	Product	Model	Colour	Colli qty.	Lead time	Weight	PRICE EX. VAT (EUR)
83600000	Colette	ATD6	White & Black	1 pc	Stock item	1.60 kg	283
83600001	Colette	ATD6	White & Merlot	1 pc	Stock item	1.60 kg	283

Technical Specification

E14 max 40 Watt

Material: Shade and base is covered in a mix between cotton and linen. The shade has a plastic (PVC) layer on the backside of the fabric. The inner structure is made of aluminium and iron.

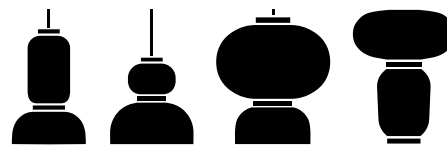
Dimmer is included.



Formakami JH3-JH5 & JH18

Jaime Hayon

2015 & 2018



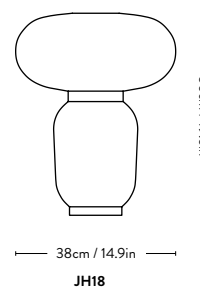
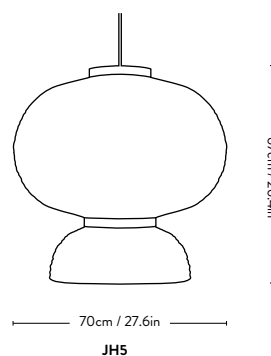
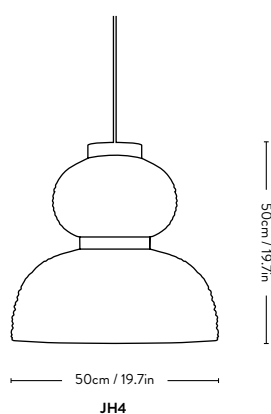
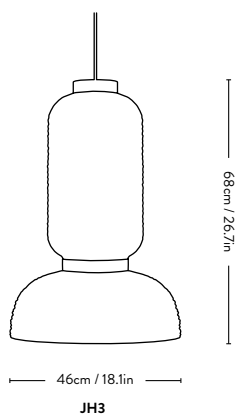
Item no.	Product	Model	Colour	Cord	Colli qty.	Lead time	Weight	PRICE EX. VAT (EUR)
83301130	Formakami	JH3	Ivory White	4m Black textile	2 pcs	Stock item	0.80 kg	170
83301230	Formakami	JH4	Ivory White	4m Black textile	2 pcs	Stock item	0.70 kg	170
83301330	Formakami	JH5	Ivory White	4m Black textile	2 pcs	Stock item	1.50 kg	192
83301430	Formakami	JH18	Ivory White	2m Black textile w. dimmer	2 pcs	Stock item	1.00 kg	192

Technical Specification

E27 Max 2 x 60 Watt

Material: Ivory White paper, Black stained oak.

Bulb is not included.
Canopy included for pendants.



Setago ^{JH27} Jaime Hayon 2019



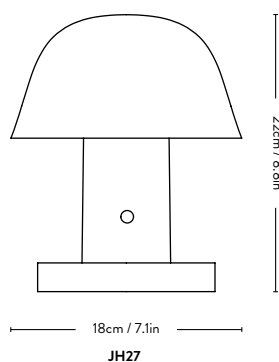
Item no.	Product	Model	Colour	Colli qty.	Lead time	Weight	PRICE INC. VAT (DKK)
83502701	Setago	JH27	Twilight & Sand	2 pcs	Stock item	0.69 kg	113
83502702	Setago	JH27	Nude & Forest	2 pcs	Stock item	0.69 kg	113
83502703	Setago	JH27	Rust & Thunder	2 pcs	Stock item	0.69 kg	113
83502010	Multi charging station for 12 portables lamps			1 pc	Stock item		90

Technical Specification

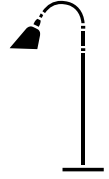
G4 Max 3 Watt LED bulb, dimmable
 CRI: > 80
 Colour temperature (Kelvin): 2800K
 Light output: 181 lumen
 Charging time: 8 hours
 Operating time in highest light setting: 10 hours
 Dimmability: 3 level touch dimmer on base 100% - 70% - 40 %
 Battery: Replaceable (spare part)
 IP class: IP44 (This lamp is for indoors use only. It can be taken outdoors, but must be kept and stored indoors.)

Material: Molded polycarbonate.

LED bulb included - replaceable (spare part).
 Micro USB charging cable 150cm / 59in included.



Bellevue ^{AJ7} Arne Jacobsen 1929



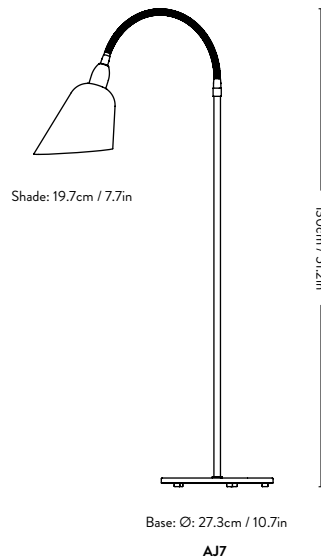
Item no.	Product	Model	Colour	Cord	Colli qty.	Lead time	Weight	PRICE EX. VAT (EUR)
20811694	Bellevue	AJ7	Black & Steel	2m Black textile w. switch	1 pc	Stock item	7.70 kg	590
20811194	Bellevue	AJ7	Black & Brass	2m Black textile w. switch	1 pc	Stock item	7.70 kg	590
20811192	Bellevue	AJ7	White & Brass	2m White textile w. switch	1 pc	Stock item	7.70 kg	590
20811196	Bellevue	AJ7	Brass	2m Black textile w. switch	1 pc	Stock item	7.70 kg	828
20811692	Bellevue	AJ7	White & Bronzed Brass - Anniversary edition	2m White textile w. switch	1 pc	Stock item	7.70 kg	590
20811690	Bellevue	AJ7	Stone Grey & Bronzed Brass - Anniversary edition	2m Black textile w. switch	1 pc	Stock item	7.70 kg	590

Technical Specification

E27 Max 25 Watt

Material: Lacquered brass, steel or aluminium.

Bulb is not included.



Bellevue ^{AJ9} Arne Jacobsen 1929



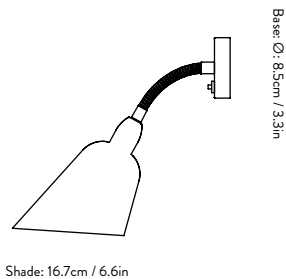
Item no.	Product	Model	Colour	Cord	Colli qty.	Lead time	Weight	PRICE EX. VAT (EUR)
20811894	Bellevue Wall	AJ9	Black & Steel	2m Black textile	1 pc	Stock item	1.40 kg	272
20811394	Bellevue Wall	AJ9	Black & Brass	2m Black textile	1 pc	Stock item	1.40 kg	272
20811392	Bellevue Wall	AJ9	White & Brass	2m White textile	1 pc	Stock item	1.40 kg	272

Technical Specification

E14 Max 25 Watt

Material: Lacquered brass, steel or aluminium

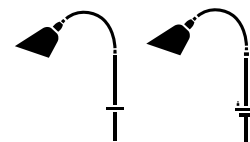
Bulb is not included.



Bellevue AJ10 & AJ11

Arne Jacobsen

1929



Item no.	Product	Model	Colour	Cord	Colli qty.	Lead time	Weight	PRICE EX. VAT (EUR)
20811494	Bellevue Plug-in	AJ10	Black/Brass	2m Black pvc	1 pc	6-8 weeks	1.00 kg	329
20811496	Bellevue Plug-in	AJ10	Brass	2m Black pvc	1 pc	6-8 weeks	1.00 kg	476
20811594	Bellevue Plug-in w. switch	AJ11	Black/Brass	2m Black pvc	1 pc	6-8 weeks	1.10 kg	351
20811596	Bellevue Plug-in w. switch	AJ11	Brass	2m Black pvc	1 pc	6-8 weeks	1.10 kg	499

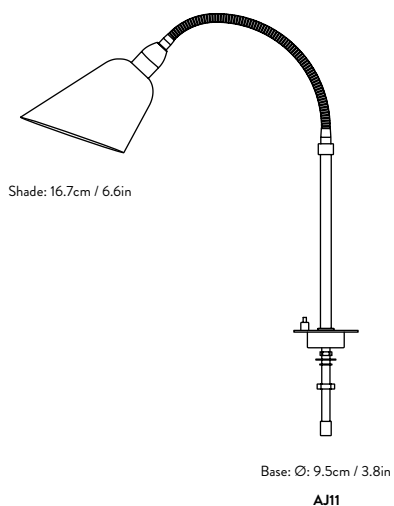
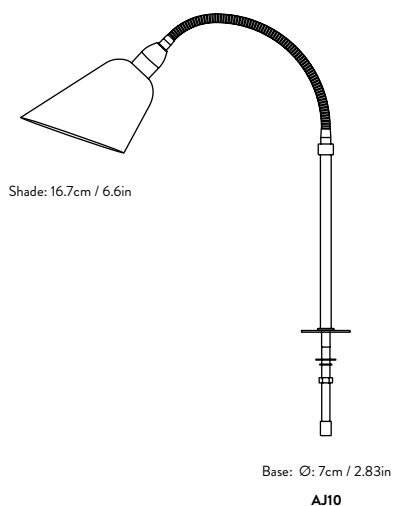
Technical Specification

E14 Max 25 Watt

Material: Lacquered brass, steel or aluminium.

Bulb is not included.

Minimum order quantity of same variant: 25 pcs.



Flowerpot^{VP1} Verner Panton 1968



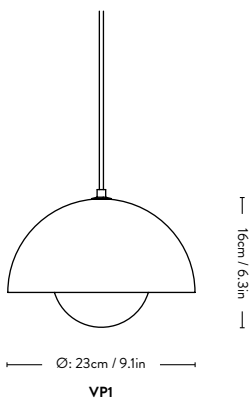
Item no.	Product	Model	Colour	Cord	Colli qty.	Lead time	Weight	PRICE EX. VAT (EUR)
20703101	Flowerpot	VP1	Matt White	3m White textile	2 pcs	Stock item	0.95 kg	204
20709102	Flowerpot	VP1	Matt Light Grey	3m Grey textile	2 pcs	Stock item	0.95 kg	204
20709501	Flowerpot	VP1	Matt Black	3m Black textile	2 pcs	Stock item	0.95 kg	204
20703001	Flowerpot	VP1	White	3m White textile	2 pcs	Stock item	0.95 kg	204
20702201	Flowerpot	VP1	Mustard	3m Mustard textile	2 pcs	Stock item	0.95 kg	204
20704301	Flowerpot	VP1	Beige Red	3m Beige Red textile	2 pcs	Stock item	0.95 kg	204
20704501	Flowerpot	VP1	Red Brown	3m Red Brown textile	2 pcs	Stock item	0.95 kg	204
20705001	Flowerpot	VP1	Dark Green	3m Dark Green textile	2 pcs	Stock item	0.95 kg	204
20705201	Flowerpot	VP1	Light Blue	3m Light Blue textile	2 pcs	Stock item	0.95 kg	204
20705401	Flowerpot	VP1	Stone Blue	3m Stone Blue textile	2 pcs	Stock item	0.95 kg	204
20708901	Flowerpot	VP1	Grey Beige	3m Grey Beige textile	2 pcs	Stock item	0.95 kg	204
20708801	Flowerpot	VP1	Pale Sand	3m Pale Sand textile	2 pcs	Stock item	0.95 kg	204
20709201	Flowerpot	VP1	Signal Green	3m Signal Green textile	2 pcs	Stock item	0.95 kg	204
20709601	Flowerpot	VP1	Polished Brass	3m Black textile	2 pcs	Stock item	0.95 kg	283
20709701	Flowerpot	VP1	Polished Copper	3m Black textile	2 pcs	Stock item	0.95 kg	283
20709901	Flowerpot	VP1	Polished Stainless Steel	3m Black textile	2 pcs	Stock item	0.95 kg	283

Technical Specification

E27 Max 40 Watt

Material: Lacquered steel, brass, copper, stainless steel.

Bulb is not included.
Canopy included.



Flowerpot^{VP7} Verner Panton 1968



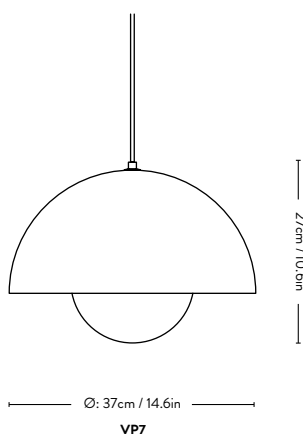
Item no.	Product	Model	Colour	Cord	Colli qty.	Lead time	Weight	PRICE EX. VAT (EUR)
20773101	Flowerpot	VP7	Matt White	3m White textile	1 pc	Stock item	2.40 kg	329
20779101	Flowerpot	VP7	Matt Light Grey	3m Grey textile	1 pc	Stock item	2.40 kg	329
20779501	Flowerpot	VP7	Matt Black	3m Black textile	1 pc	Stock item	2.40 kg	329
20773001	Flowerpot	VP7	White	3m White textile	1 pc	Stock item	2.40 kg	329
20772201	Flowerpot	VP7	Mustard	3m Mustard textile	1 pc	Stock item	2.40 kg	329
20774301	Flowerpot	VP7	Beige Red	3m Beige Red textile	1 pc	Stock item	2.40 kg	329
20774501	Flowerpot	VP7	Red Brown	3m Red Brown textile	1 pc	Stock item	2.40 kg	329
20775001	Flowerpot	VP7	Dark Green	3m Dark Green textile	1 pc	Stock item	2.40 kg	329
20775201	Flowerpot	VP7	Light Blue	3m Light Blue textile	1 pc	Stock item	2.40 kg	329
20775401	Flowerpot	VP7	Stone Blue	3m Stone Blue textile	1 pc	Stock item	2.40 kg	329
20778901	Flowerpot	VP7	Grey Beige	3m Grey Beige textile	1 pc	Stock item	2.40 kg	329
20778801	Flowerpot	VP7	Pale Sand	3m Pale Sand textile	1 pc	Stock item	2.40 kg	329
20779201	Flowerpot	VP7	Signal Green	3m Signal Green textile	1 pc	Stock item	2.40 kg	329

Technical Specification

E27 Max 100 Watt

Material: Lacquered steel.

Bulb is not included. Canopy included.



Flowerpot^{VP2} Verner Panton 1968



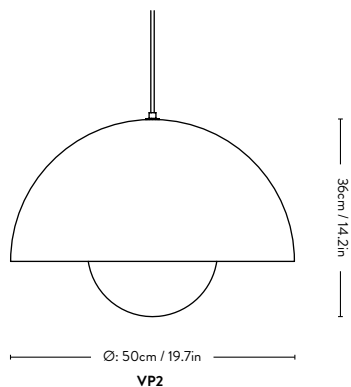
Item no.	Product	Model	Colour	Cord	Colli qty.	Lead time	Weight	PRICE EX. VAT (EUR)
20763101	Flowerpot	VP2	Matt White	3m White textile	1 pc	Stock item	3.40 kg	476
20769102	Flowerpot	VP2	Matt Light Grey	3m Grey textile	1 pc	Stock item	3.40 kg	476
207695	Flowerpot	VP2	Matt Black	3m Black textile	1 pc	Stock item	3.40 kg	476
207630	Flowerpot	VP2	White	3m White textile	1 pc	Stock item	3.40 kg	476
20762201	Flowerpot	VP2	Mustard	3m Mustard textile	1 pc	Stock item	3.40 kg	476
20764501	Flowerpot	VP2	Red Brown	3m Red Brown textile	1 pc	Stock item	3.40 kg	476
20765001	Flowerpot	VP2	Dark Green	3m Dark Green textile	1 pc	Stock item	3.40 kg	476
20768901	Flowerpot	VP2	Grey Beige	3m Grey Beige textile	1 pc	Stock item	3.40 kg	476
20765401	Flowerpot	VP2	Stone Blue	3m Stone Blue textile	1 pc	Stock item	3.40 kg	476

Technical Specification

E27 Max 60 Watt

Material: Lacquered aluminium.

Bulb is not included.
Canopy included.



Flowerpot^{VP3} Verner Panton 1968



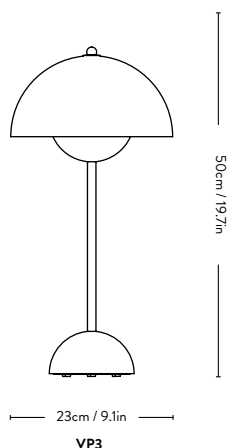
Item no.	Product	Model	Colour	Cord	Colli qty.	Lead time	Weight	PRICE EX. VAT (EUR)
20723101	Flowerpot	VP3	Matt White	2m clear pvc w. switch	1 pc	Stock item	4.50 kg	261
20729101	Flowerpot	VP3	Matt Light Grey	2m clear pvc w. switch	1 pc	Stock item	4.50 kg	261
20729501	Flowerpot	VP3	Matt Black	2m clear pvc w. switch	1 pc	Stock item	4.50 kg	261
20723001	Flowerpot	VP3	White	2m clear pvc w. switch	1 pc	Stock item	4.50 kg	261
20722201	Flowerpot	VP3	Mustard	2m clear pvc w. switch	1 pc	Stock item	4.50 kg	261
20724301	Flowerpot	VP3	Beige Red	2m clear pvc w. switch	1 pc	Stock item	4.50 kg	261
20724501	Flowerpot	VP3	Red Brown	2m clear pvc w. switch	1 pc	Stock item	4.50 kg	261
20725001	Flowerpot	VP3	Dark Green	2m clear pvc w. switch	1 pc	Stock item	4.50 kg	261
20725201	Flowerpot	VP3	Light Blue	2m clear pvc w. switch	1 pc	Stock item	4.50 kg	261
20725401	Flowerpot	VP3	Stone Blue	2m clear pvc w. switch	1 pc	Stock item	4.50 kg	261
20728901	Flowerpot	VP3	Grey Beige	2m clear pvc w. switch	1 pc	Stock item	4.50 kg	261
20728801	Flowerpot	VP3	Pale Sand	2m clear pvc w. switch	1 pc	Stock item	4.50 kg	261
20729201	Flowerpot	VP3	Signal Green	2m clear pvc w. switch	1 pc	Stock item	4.50 kg	261
20729601	Flowerpot	VP3	Polished Brass	2m clear pvc w. switch	1 pc	Stock item	4.50 kg	397
20729901	Flowerpot	VP3	Polished Stainless Steel	2m clear pvc w. switch	1 pc	Stock item	4.50 kg	397

Technical Specification

E27 Max 40 Watt

Material: Lacquered steel, brass, stainless steel.

Bulb is not included.



Flowerpot^{VP4} Verner Panton 1968



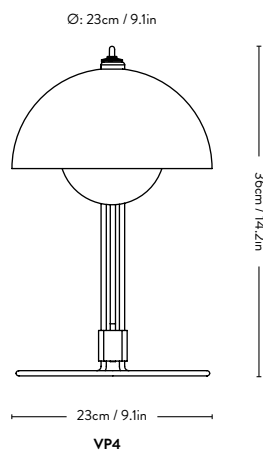
Item no.	Product	Model	Colour	Cord	Colli qty.	Lead time	Weight	PRICE EX. VAT (EUR)
20733101	Flowerpot	VP4	Matt White	2m White textile w. switch	1 pc	Stock item	1.23 kg	261
20739501	Flowerpot	VP4	Matt Black	2m Black textile w. switch	1 pc	Stock item	1.23 kg	261

Technical Specification

E27 max 40 Watt

Material: Lacquered metal

Bulb is not included.



Flowerpot^{VP8} Verner Panton 1968



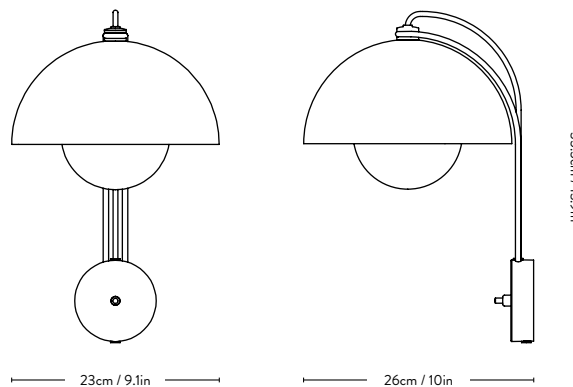
Item no.	Product	Model	Colour	Cord	Colli qty.	Lead time	Weight	PRICE EX. VAT (EUR)
20793101	Flowerpot	VP8	Matt White	2m White textile	1 pc	Stock item	1.3 kg	283
20799501	Flowerpot	VP8	Matt Black	2m Black textile	1 pc	Stock item	1.3 kg	283
20799101	Flowerpot	VP8	Matt Light Grey	2m Grey textile	1 pc	Stock item	1.3 kg	283
20792201	Flowerpot	VP8	Mustard	2m Mustard textile	1 pc	Stock item	1.3 kg	283
20794301	Flowerpot	VP8	Beige Red	2m Beige Red textile	1 pc	Stock item	1.3 kg	283
20798901	Flowerpot	VP8	Grey Beige	2m Grey Beige textile	1 pc	Stock item	1.3 kg	283

Technical Specification

E27 max 40 Watt

Material: Lacquered metal.

Bulb is not included.



VP8

Flowerpot^{VP9} Verner Panton 1968



Item no.	Product	Model	Colour	Colli qty.	Lead time	Weight	PRICE EX. VAT (EUR)
20753101	Flowerpot	VP9	Matt White	1 pc	Stock item	0.83 kg	147
20759102	Flowerpot	VP9	Matt Light Grey	1 pc	Stock item	0.83 kg	147
20759501	Flowerpot	VP9	Matt Black	1 pc	Stock item	0.83 kg	147
20753001	Flowerpot	VP9	White	1 pc	Stock item	0.83 kg	147
20752201	Flowerpot	VP9	Mustard	1 pc	Stock item	0.83 kg	147
20754301	Flowerpot	VP9	Beige Red	1 pc	Stock item	0.83 kg	147
20754501	Flowerpot	VP9	Red Brown	1 pc	Stock item	0.83 kg	147
20755001	Flowerpot	VP9	Dark Green	1 pc	Stock item	0.83 kg	147
20755201	Flowerpot	VP9	Light Blue	1 pc	Stock item	0.83 kg	147
20758901	Flowerpot	VP9	Grey Beige	1 pc	Stock item	0.83 kg	147
20755401	Flowerpot	VP9	Stone Blue	1 pc	Stock item	0.83 kg	147
20758801	Flowerpot	VP9	Pale Sand	1 pc	Stock item	0.83 kg	147
20759201	Flowerpot	VP9	Signal Green	1 pc	Stock item	0.83 kg	147
20759601	Flowerpot	VP9	Brass-Plated	1 pc	Stock item	0.83 kg	227
20759901	Flowerpot	VP9	Chrome-Plated	1 pc	Stock item	0.83 kg	227
83502010	Multi charging station for 12 portables lamps			1 pc	Stock item		90

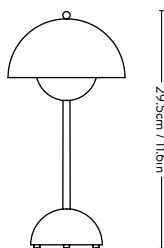
Technical Specification

3 Watt LED board, dimmable
 CRI: > 90
 Colour temperature (Kelvin): 2700K
 Light output: 104 lumen
 Charging time: 8 hours
 Operating time in highest light setting: 10 hours
 Dimmability: 3 level touch dimmer 100% - 50% - 20 %
 Battery: Replaceable (spare part)
 IP class: IP44
 (This lamp is for indoors use only. It can be taken outdoors, but must be kept and stored indoors.)

Material: Lacquered polycarbonat (PC) and steel

LED bulb included - replaceable (spare part).
 Micro USB charging cable 200cm/78.7in, included.

± Ø: 16 cm / 6.3 in ±



Ø: 9.6cm / 3.8in

VP9

Topan ^{VP6} Verner Panton 1959



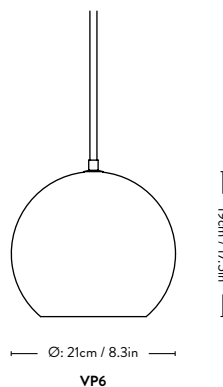
Item no.	Product	Model	Colour	Cord	Colli qty.	Lead time	Weight	PRICE EX. VAT (EUR)
207895	Topan	VP6	Matt Black	3m Black textile	2 pcs	Stock item	0.65 kg	204
207822	Topan	VP6	Mustard	3m Mustard textile	2 pcs	Stock item	0.65 kg	204
207845	Topan	VP6	Red Brown	3m Red Brown textile	2 pcs	Stock item	0.65 kg	204

Technical Specification

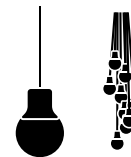
E27 Max 40 Watt

Material: Lacquered aluminium.

Bulb is not included. Canopy included.



Mass Light ^{NA5 & NA6} Norm Architects 2012



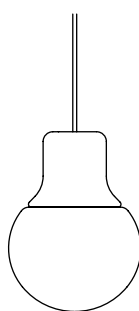
Item no.	Product	Model	Colour	Cord	Colli qty.	Lead time	Weight	PRICE EX. VAT (EUR)
20619600	Mass Light	NA5	Brass	4m Black textile	3 pcs	Stock item	0.70 kg	158
20610101	Mass Light	NA5	Nero Marquina Marble	4m Black textile	3 pcs	Stock item	1.20 kg	170
20610901	Mass Light	NA6	Brass	4m Black textile	1 pc	Stock item	7.10 kg	1.476
20610903	Mass Light	NA6	Nero Marquina Marble	4m Black textile	1 pc	Stock item	11.60 kg	1.589

Technical Specification

NA5: G9 Max 40 Watt
NA6: 9 x G9 Max 40 Watt

Material: Brass or marble, satinized opal glass.

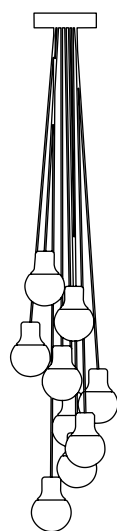
Bulb is not included. Canopy included.



← Ø: 12.6cm / 5in →

NA5

18.3cm / 7.2in



Max Ø: 40 cm / 15.7 in

NA6

Min: 80cm / 31.5in
Max: 175cm / 68.9in

Utzon^{JU1} Jørn Utzon 1947



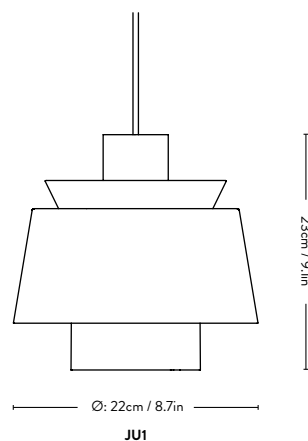
Item no.	Product	Model	Colour	Cord	Colli qty.	Lead time	Weight	PRICE EX. VAT (EUR)
206030	Utzon	JU1	White	4m White textile	2 pcs	Stock item	1.40 kg	227
206096	Utzon	JU1	Polished Brass	4m Black textile	2 pcs	Stock item	1.40 kg	431
206024	Utzon	JU1	Brass & White	4m White textile	2 pcs	Stock item	1.40 kg	340

Technical Specification

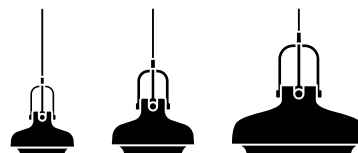
E27 Max 60 Watt

Material: Lacquered steel or brass.

Bulb is not included.
Canopy included.



Copenhagen SC6-SC8 Space Copenhagen 2014



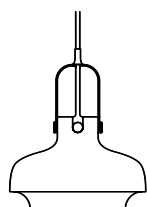
Item no.	Product	Model	Colour	Cord	Colli qty.	Lead time	Weight	PRICE EX. VAT (EUR)
20951195	Copenhagen	SC6	Matt Black	4m Black textile	2 pcs	Stock item	0.83 kg	181
20951120	Copenhagen	SC6	Opal Glass	4m Black textile	2 pcs	Stock item	1.10 kg	261
20951295	Copenhagen	SC7	Matt Black	4m Black textile	1 pc	Stock item	2.08 kg	329
20951220	Copenhagen	SC7	Opal Glass	4m Black textile	1 pc	Stock item	3.00 kg	408
20951395	Copenhagen	SC8	Matt Black	6m Black textile	1 pc	Stock item	4.50 kg	681
20951100	Acrylic difuser	SC6			1 pc	Stock item	0.04 kg	9
20951200	Acrylic difuser	SC7			1 pc	Stock item	0.14 kg	11
20951300	Acrylic difuser	SC8			1 pc	Stock item	0.44 kg	16

Technical Specification

SC6: G9 Max 40 Watt
 SC7: E27 Max 100 Watt
 SC8: E27 Max 150 Watt

Material: Lacquered steel shade with bronzed brass bracket.
 Satinized opal glass with bronzed brass bracket.

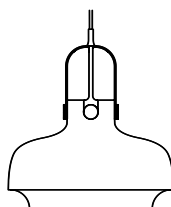
Light bulb is not included.
 Canopy included.



— Ø: 20cm / 7.8in —

SC6

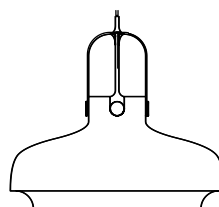
— 25cm / 9.8in —



— Ø: 35cm / 13.8in —

SC7

— 40cm / 15.7in —



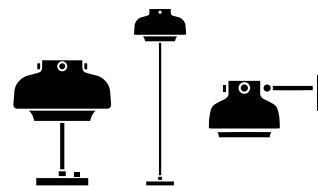
— Ø: 60cm / 23.6in —

SC8

— 53cm / 20.7in —

Copenhagen SC13, SC14, SC54

Space Copenhagen 2018



Item no.	Product	Model	Colour	Cord	Colli qty.	Lead time	Weight	PRICE EX. VAT (EUR)
65201001	Copenhagen Table	SC13	Opal Glass & Bronzed Brass	3.5m Black pvc	1 pc	Stock item	4.40 kg	510
65211001	Copenhagen Floor	SC14	Opal Glass & Bronzed Brass	3.5m Black pvc w. switch	1 pc	Stock item	11.00 kg	965
65241001	Copenhagen Wall	SC54	Opal Glass & Bronzed Brass	2m Black textile w. dimmer	1 pc	Stock item	1.40 kg	238

Technical Specification

SC13

6.6 Watt LED board, dimmable
 CRI: > 85
 Colour temperature (Kelvin): 2200K-2800K
 Light output: 700 lumen
 This product contains a light source of energy efficiency class G.
 LED board included – not replaceable.

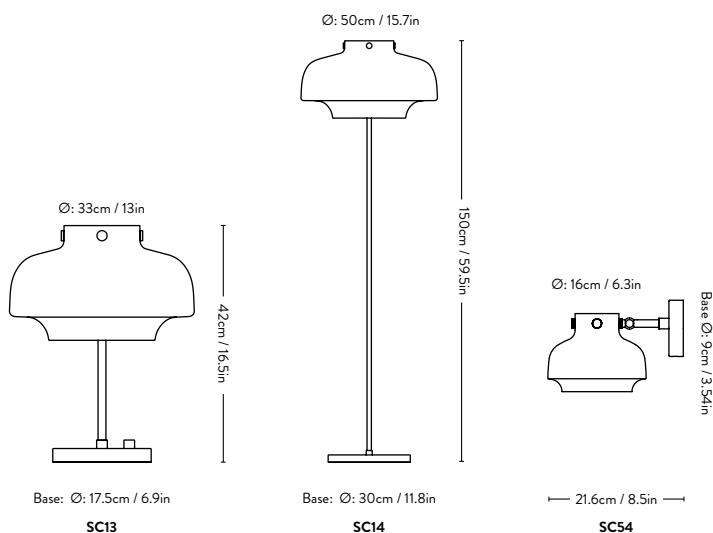
SC14

16.3 Watt LED board, dimmable
 CRI: > 85
 Colour temperature (Kelvin): 2200K-2800K
 Light output: 1300 lumen
 This product contains a light source of energy efficiency class G.
 LED board included – not replaceable.

SC54

G9 Max 25 Watt, dimmable
 Light bulb not included.

Material: Satinized opal glass & bronzed brass.



Spinning^{BH1 & BH2} Benjamin Hubert 2010



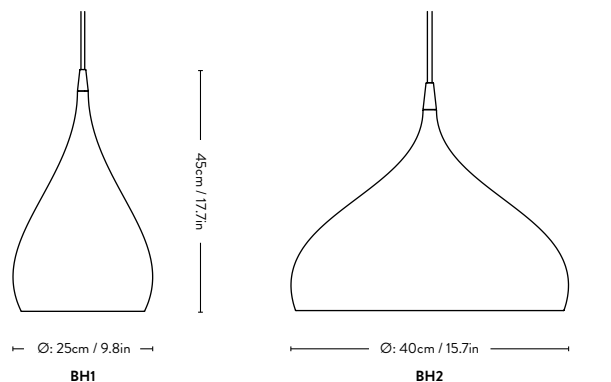
Item no.	Product	Model	Colour	Cord	Colli qty.	Lead time	Weight	PRICE EX. VAT (EUR)
20929003	Spinning	BH1	Matt Black	4m Black pvc	1 pc	Stock item	1.27 kg	204
20919003	Spinning	BH2	Matt Black	4m Black pvc	1 pc	Stock item	2.30 kg	283

Technical Specification

BH1: E27 Max 60 Watt
BH2: E27 Max 60 Watt

Material: Lacquered aluminium.

Bulb is not included.
Canopy included.



Mega Bulb ^{SR2} Sofie Refer 2006



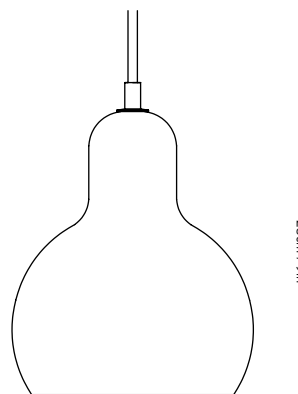
Item no.	Product	Model	Colour	Cord	Colli qty.	Lead time	Weight	PRICE EX. VAT (EUR)
200400	Mega Bulb	SR2	Clear	3m Clear pvc	2 pcs	Stock item	0.83 kg	158
200494	Mega Bulb	SR2	Clear	3m Black textile	2 pcs	Stock item	0.83 kg	158
200500	Mega Bulb	SR2	Silver	3m Clear pvc	2 pcs	Stock item	0.83 kg	158
200594	Mega Bulb	SR2	Silver	3m Black textile	2 pcs	Stock item	0.83 kg	158
200600	Mega Bulb	SR2	Gold	3m Clear pvc	2 pcs	Stock item	0.83 kg	158
200630	Mega Bulb	SR2	Gold	3m White textile	2 pcs	Stock item	0.83 kg	158

Technical Specification

E27 Max 60 Watt

Material: Mouth blown glass, porcelain lamp holder.

Bulb is not included.
Canopy included.



SR2

Journey SHY1 & SHY2

Signe Hytte

2018



Item no.	Product	Model	Colour	Cord	Colli qty.	Lead time	Weight	PRICE EX. VAT (EUR)
20321094	Journey	SHY1	Black	2m Black pvc	2 pcs	Stock item	1.60 kg	283
20321002	Journey	SHY1	Silk Grey	2m Black pvc	2 pcs	Stock item	1.60 kg	283
20322094	Journey	SHY2	Black	Hardwired	2 pcs	Stock item	1.30 kg	238
20322002	Journey	SHY2	Silk Grey	Hardwired	2 pcs	Stock item	1.30 kg	238

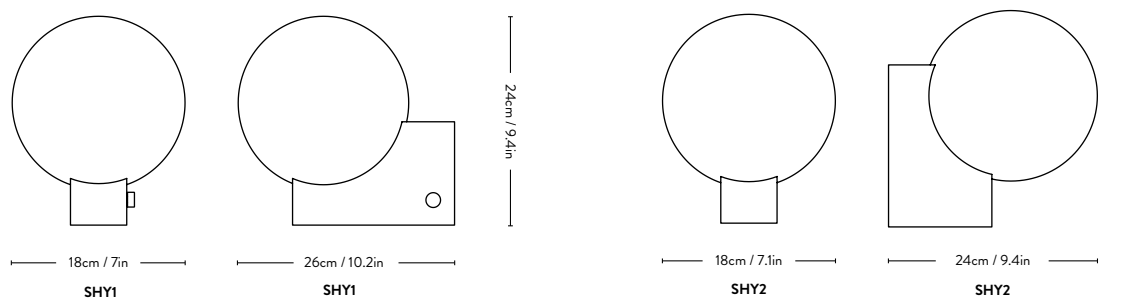
Technical Specification

SHY1: 4.8 Watt LED board, dimmable
 CRI: > 85
 Colour temperature (Kelvin): 2200-2800K
 Light output: 480 lumen
 Dimmability: Dimmer on base, dim-to-warm technology
 IP class: IP20

SHY2: G9 Max 33 Watt

Material: Mouth blown glass, steel.

SHY1: This product contains a light source of energy efficiency class G. LED board included - not replaceable.



NEW

Herman SHY3 Signe Hytte 2022

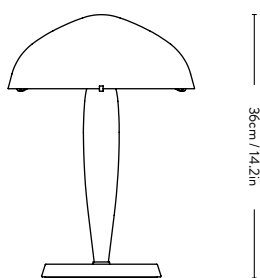


Item no.	Product	Model	Colour	Colli qty.	Lead time	Weight	PRICE EX. VAT (EUR)
20820000	Herman	SHY3	Opal glass w. Walnut & Cream Marble	2 pcs	Stock item	2.10 kg	340

Technical Specification

SHY3: E14 Max 25W

Material: Opal glass shade, walnut stem, beige marble, chrome details, Textile cord.



25cm / 9.8in
SHY3

Tripod ^{HM8} Hvidt & Mølgaard 1953



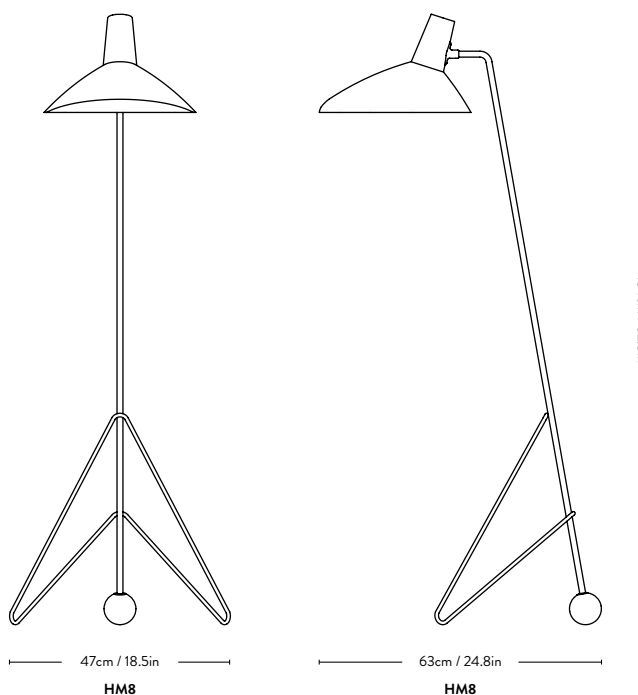
Item no.	Product	Model	Colour	Cord	Colli qty.	Lead time	Weight	PRICE EX. VAT (EUR)
14080001	Tripod Floor lamp	HM8	Moss	2m Black textile w. switch	1 pc	Stock item	5.30 kg	681
14080032	Tripod Floor lamp	HM8	Maroon	2m Black textile w. switch	1 pc	Stock item	5.30 kg	681
14080094	Tripod Floor lamp	HM8	Black	2m Black textile w. switch	1 pc	Stock item	5.30 kg	681

Technical Specification

E27 Max 60 Watt

Material: Lacquered metal shade and base, lacquered brass.

Bulb is not included.



Tripod ^{HM9} Hvidt & Mølgaard 1953



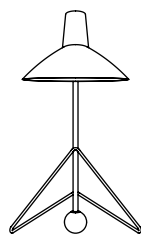
Item no.	Product	Model	Colour	Cord	Colli qty.	Lead time	Weight	PRICE EX. VAT (EUR)
14090001	Tripod Table lamp	HM9	Moss	2m Black textile w. switch	1 pc	Stock item	0.90 kg	295
14090032	Tripod Table lamp	HM9	Maroon	2m Black textile w. switch	1 pc	Stock item	0.90 kg	295
14090094	Tripod Table lamp	HM9	Black	2m Black textile w. switch	1 pc	Stock item	0.90 kg	295

Technical Specification

E14 Max 25 Watt

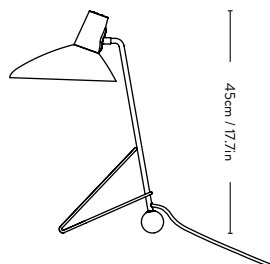
Material: Lacquered metal shade and base, lacquered brass.

Bulb is not included.



— 26cm / 10.2in —

HM9

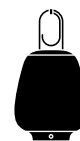


— 31cm / 12.3in —

HM9

45cm / 17.7in

Lucca^{SC51} Space Copenhagen 2020



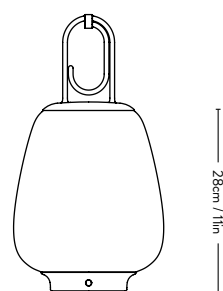
Item no.	Product	Model	Colour	Colli qty.	Lead time	Weight	PRICE EX. VAT (EUR)
83482001	Lucca	SC51	Opal glass & Moss	1 pc	Stock item	0.90 kg	136
83482041	Lucca	SC51	Opal glass & Maroon	1 pc	Stock item	0.90 kg	136
83482000	Lucca	SC51	Opal glass & Black	1 pc	Stock item	0.90 kg	136
83502010	Multi charging station for 12 portables lamps			1 pc	Stock item		90

Technical Specification

2.5 Watt LED Board, dimmable
 CRI: > 90
 Colour temperature (Kelvin): 2700K
 Light output: 143 lumen
 Charging time: 8 hours
 Operating time in highest light setting: 12 hours
 Dimmability: 3 level touch dimmer on base 100% - 50% - 20 %
 Battery: Replaceable (spare part)
 IP class: IP44 (For indoor and outdoor use)

Material: Satinized opal glass, powder coated metal, brass.
 LED bulb included – replaceable (spare part).

Micro USB charging cable 200cm/78.7in, included.



16cm / 6.30in

SC51

Manhattan & Como SC52 & SC53 Space Copenhagen 2020



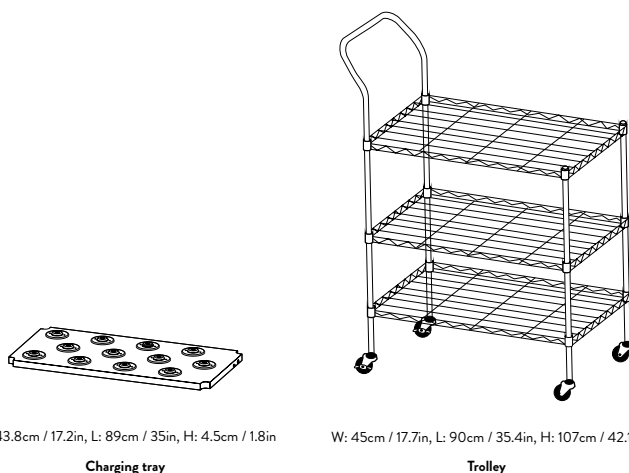
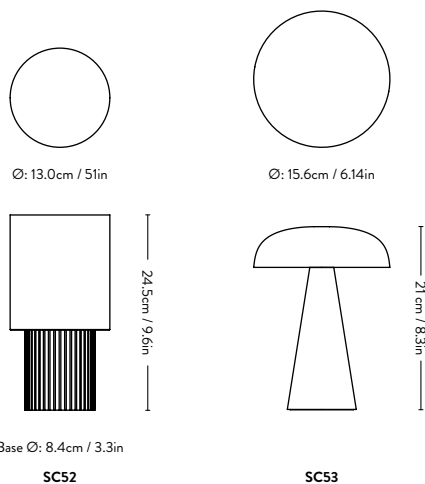
Item no.	Product	Model	Colour	Colli qty.	Lead time	Weight	PRICE EX. VAT (EUR)
83529529	Manhattan	SC52	Bronzed & Canvas	1 pc	Stock item	0.5 kg	170
83512095	Como	SC53	Bronzed	1 pc	Stock item	0.4 kg	170
83512094		SC53	Black	1 pc	Stock item	0.4 kg	170
83512096		SC53	Brass	1 pc	Stock item	0.6 kg	227
83512003		SC53	Stone Blue	1 pc	Stock item	0.4 kg	170
83512002		SC53	Red Brown	1 pc	Stock item	0.4 kg	170
83502010	Multi charging station for 12 portables lamps			1 pc	Stock item		90
83520001	Trolley *fits 3 trays		Black	1 pc	Stock item		181
83501010	Charging tray incl. power suppl *12 lamps		Black	1 pc	Stock item		545

Technical Specification

G4 1 Watt LED bulb, dimmable
 CR1: > 85
 Colour temperature (Kelvin): 2700K
 Light output: 100 lumen
 Charging time: 1 battery 3.5 hours – 2 batteries 6 hours
 Operating time in highest light setting:
 1 battery 11 hours – 2 batteries 20 hours
 Dimmability: 3 level touch dimmer on base 100% - 70% - 40%
 Battery: Delivery with 1 battery. Replaceable (spare part)
 IP class: SC52: IP20
 SC53: IP44 (This lamp is for indoors use only. It can be taken outdoors, but must be kept and stored indoors.)

Material: SC52: Aluminium, Canvas, ABS
 SC53: Aluminium, ABS

LED bulb included – replaceable (spare part).
 Micro USB charging cable included, 200cm / 78.74in



Caret^{MF1} Matteo Fogale 2022

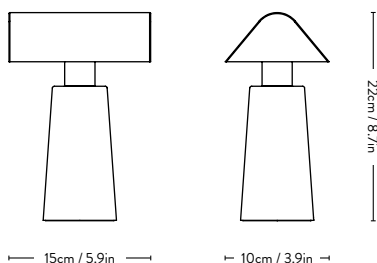


Item no.	Product	Model	Colour	Colli qty.	Lead time	Weight	PRICE EX. VAT (EUR)
83531002	Caret	MF1	Silk Grey	1 pc	Stock item	0.75 kg	170
83531001	Caret	MF1	Dark Burgundy	1 pc	Stock item	0.75 kg	170
83502010	Multi charging station for 12 portables lamps			1 pc	Stock item		90
83520001	Trolley *fits 3 trays		Black	1 pc	Stock item		181
83501010	Charging tray incl. power suppl *12 lamps		Black	1 pc	Stock item		545

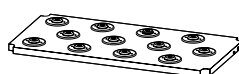
Technical Specification

G4 1 Watt LED bulb, dimmable
 CRI: > 85
 Colour temperature (Kelvin): 2700K
 Light output: 100 lumen
 Charging time: 1 battery 3.5 hours – 2 batteries 6 hours
 Operating time in highest light setting:
 1 battery 11 hours – 2 batteries 20 hours
 Dimmability: 3 level touch dimmer on base 100% - 70% - 40 %
 Battery: Delivery with 1 battery. Replaceable (spare part)
 IP class: IP44 (This lamp is for indoors use only. It can be taken outdoors, but must be kept and stored indoors.)

Material: Lacquered metal, ABS



MF1



W: 43.8cm / 17.2in, L: 89cm / 35in, H: 4.5cm / 1.8in

Charging tray



W: 45cm / 17.7in, L: 90cm / 35.4in, H: 107cm / 42.1in

Trolley

NEW

Raku^{SH8} Sebastian Herkner 2022

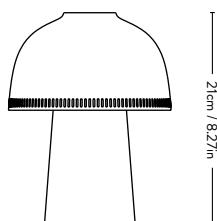


Item no.	Product	Model	Colour	Colli qty.	Lead time	Weight	PRICE EX. VAT (EUR)
23101601	Raku	SH8	Blue Green & Brass	2 pcs	Stock item	0.80 kg	215
23101691	Raku	SH8	Beige Grey & Bronzed	2 pcs	Stock item	0.70 kg	215
83502010	Multi charging station for 12 portables lamps			1 pc	Stock item		90
83520001	Trolley *fits 3 trays		Black	1 pc	Stock item		181
83501010	Charging tray incl. power suppl *12 lamps		Black	1 pc	Stock item		545

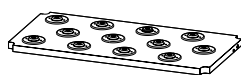
Technical Specification

G4 1 Watt LED bulb, dimmable
 CRI: > 85
 Colour temperature (Kelvin): 2700K
 Light output: 100 lumen
 Charging time: 1 battery 3.5 hours – 2 batteries 6 hours
 Operating time in highest light setting:
 1 battery 11 hours – 2 batteries 20 hours
 Dimmability: 4 levels (100%, 70%, 40%, 0%)
 Battery: Delivery with 1 battery. Replaceable (spare part)
 IP class: SC52: IP20
 SC53: IP44 (This lamp is for indoors use only. It can be taken outdoors, but must be kept and stored indoors.)

Material: Anodized aluminium & brass shade, ceramic with crackle glazed base.



— Ø 16cm / 6.30in —
SH8

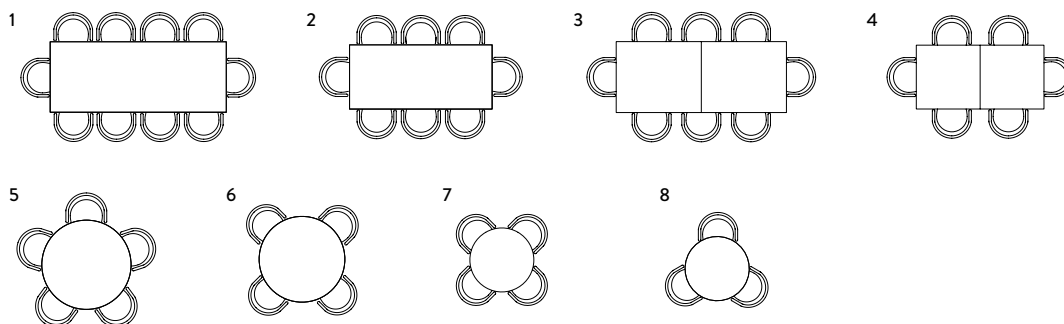


W: 43.8cm / 17.2in, L: 89cm / 35in, H: 4.5cm / 1.8in
Charging tray



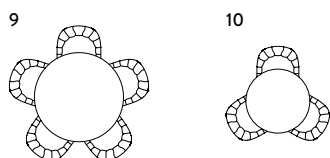
W: 45cm / 17.7in, L: 90cm / 35.4in, H: 107cm / 42.1in
Trolley

Table Settings



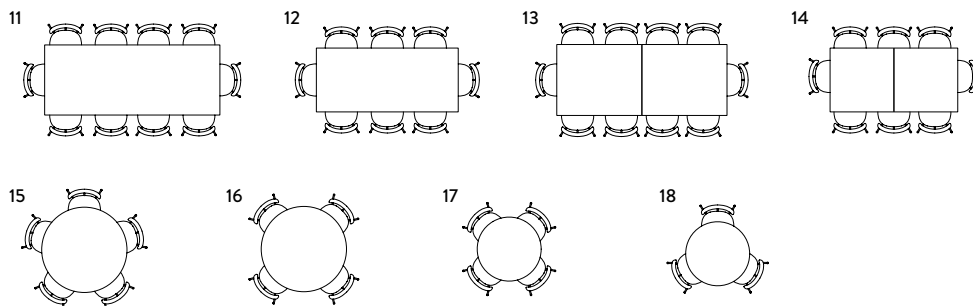
In Between Chair

Product	Size	Chairs
(1) In Between Table SK6	250 x 100cm / 98.4 x 39.3in	10 x In Between chairs (SK1/SK2)
(2) In Between Table SK5	200 x 90cm / 78.7 x 35.4in	8 x In Between chairs (SK1/SK2)
(3) Patch Table HW2	240 (+100cm) x 100cm / 94.5 (+39.4in) x 39.4in	8 x In Between chairs (SK1/SK2) - (extendend +2)
(4) Patch Table HW1	180 (+100cm) x 90cm / 70.9 (+39.4in) x 35.4in	6 x In Between chairs (SK1/SK2) - (extendend +2)
(5) In Between Table SK12	Ø: 120cm / 47.2in	5 x In Between chairs (SK1/SK2)
(6) In Between Table SK4	Ø: 120cm / 47.2in	4 x In Between chairs (SK1/SK2)
(7) In Between Table SK11	Ø: 90cm / 35.4in	4 x In Between chairs (SK1/SK2)
(8) In Between Table SK3	Ø: 90cm / 35.4in	3 x In Between chairs (SK1/SK2)



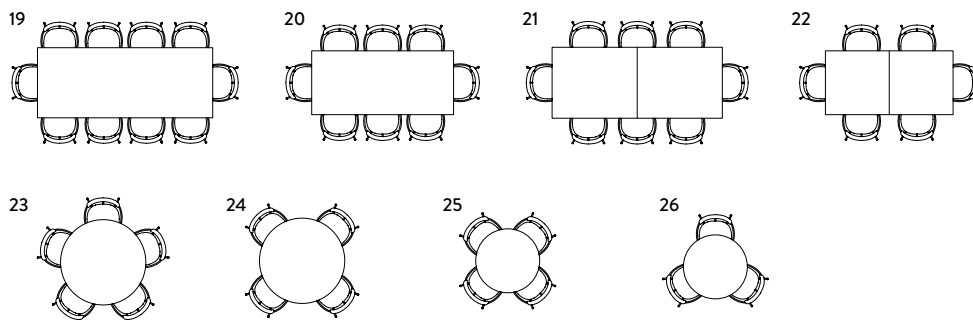
Loafer Dining Chair

Product	Size	Chairs
(9) In Between Table SK12	Ø: 120cm / 35.4in	5 x Loafer dining (SC24)
(10) In Between Table SK11	Ø: 90cm / 35.4in	3 x Loafer dining (SC24)



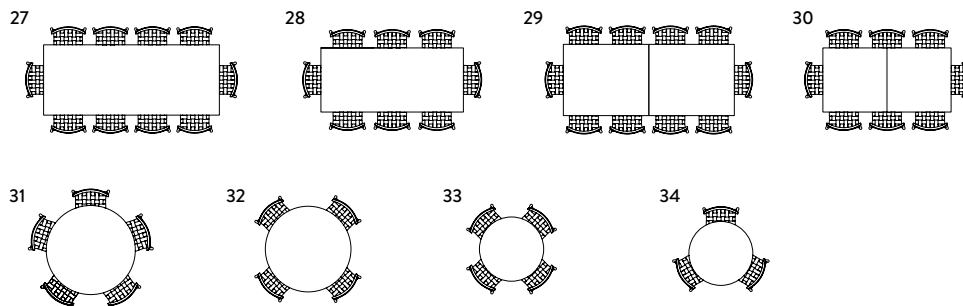
Pavilion Dining Chair

Product	Size	Chairs
(11) In Between Table SK6	250 x 100cm / 98.4 x 39.3in	10 x Pavilion (AV1/AV3)
(12) In Between Table SK5	200 x 90cm / 78.7 x 35.4in	8 x Pavilion (AV1/AV3)
(13) Patch Table HW2	240 (+100cm) x 100cm / 94.5 (+39.4in) x 39.4in	10 x Pavilion (AV1/AV3) - (extendend +4)
(14) Patch Table HW1	180 (+100cm) x 90cm / 70.9 (+39.4in) x 35.4in	8 x Pavilion (AV1/AV3) - (extendend +4)
(15) In Between Table SK12	Ø: 120cm / 47.2in	5 x Pavilion (AV1/AV3)
(16) In Between Table SK4	Ø: 120cm / 47.2in	4 x Pavilion (AV1/AV3)
(17) In Between Table SK11	Ø: 90cm / 35.4in	4 x Pavilion (AV1/AV3)
(18) In Between Table SK3	Ø: 90cm / 35.4in	3 x Pavilion (AV1/AV3)



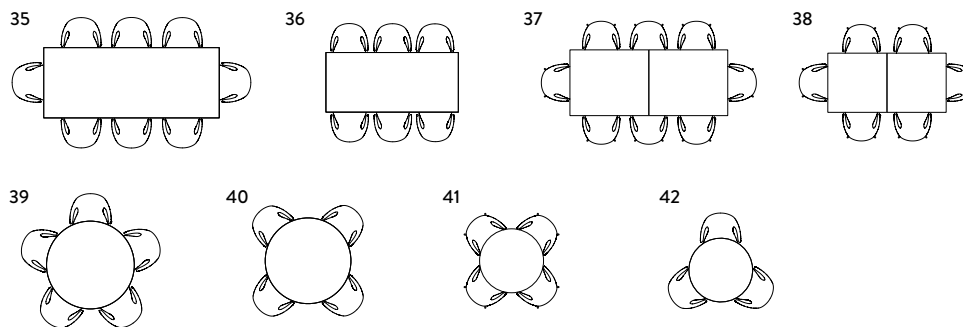
Pavilion Armrest Chair

Product	Size	Chairs
(19) In Between Table SK6	250 x 100cm / 98.4 x 39.3in	10 x Pavilion (AV2/AV4)
(20) In Between Table SK5	200 x 90cm / 78.7 x 35.4in	8 x Pavilion (AV2/AV4)
(21) Patch Table HW2	240 (+100cm) x 100cm / 94.5 (+39.4in) x 39.4in	8 x Pavilion (AV2/AV4) - (extended +2)
(22) Patch Table HW1	180 (+100cm) x 90cm / 70.9 (+39.4in) x 35.4in	6 x Pavilion (AV2/AV4) - (extended +2)
(23) In Between Table SK12	Ø: 120cm / 47.2in	5 x Pavilion (AV2/AV4)
(24) In Between Table SK4	Ø: 120cm / 47.2in	4 x Pavilion (AV2/AV4)
(25) In Between Table SK11	Ø: 90cm / 35.4in	4 x Pavilion (AV2/AV4)
(26) In Between Table SK3	Ø: 90cm / 35.4in	3 x Pavilion (AV2/AV4)



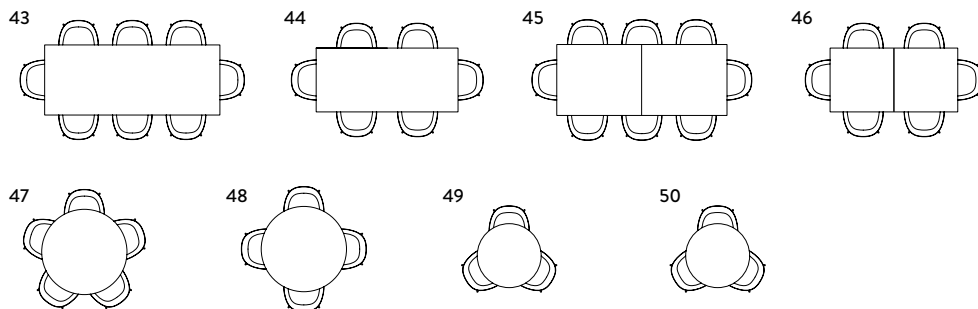
Betty Dining Chair

Product	Size	Chairs
(27) In Between Table SK6	250 x 100cm / 98.4 x 39.3in	10 x Betty (TK1/TK2)
(28) In Between Table SK5	200 x 90cm / 78.7 x 35.4in	8 x Betty (TK1/TK2)
(29) Patch Table HW2	240 (+100cm) x 100cm / 94.5 (+39.4in) x 39.4in	10 x Betty (TK1/TK2) - (extended +4)
(30) Patch Table HW1	180 (+100cm) x 90cm / 70.9 (+39.4in) x 35.4in	8 x Betty (TK1/TK2) - (extended +4)
(31) In Between Table SK12	Ø: 120cm / 47.2in	5 x Betty (TK1/TK2)
(32) In Between Table SK4	Ø: 120cm / 47.2in	4 x Betty (TK1/TK2)
(33) In Between Table SK11	Ø: 90cm / 35.4in	4 x Betty (TK1/TK2)
(34) In Between Table SK3	Ø: 90cm / 35.4in	3 x Betty (TK1/TK2)



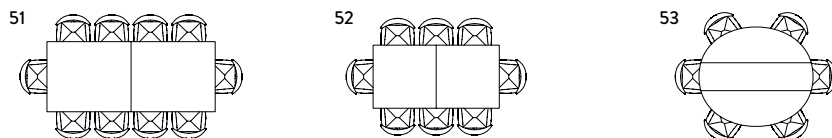
Catch Dining Chair

Product	Size	Chairs
(35) In Between Table SK6	250 x 100cm / 98.4 x 39.3in	8 x Catch (JH1/JH2/JH15)
(36) In Between Table SK5	200 x 90cm / 78.7 x 35.4in	6 x Catch (JH1/JH2/JH15)
(37) Patch Table HW2	240 (+100cm) x 100cm / 94.5 (+39.4in) x 39.4in	8 x Catch (JH1/JH2/JH15) - (extended +2)
(38) Patch Table HW1	180 (+100cm) x 90cm / 70.9 (+39.4in) x 35.4in	6 x Catch (JH1/JH2/JH15) - (extended +2)
(39) In Between Table SK12	Ø: 120cm / 47.2in	5 x Catch (JH1/JH2/JH15)
(40) In Between Table SK4	Ø: 120cm / 47.2in	4 x Catch (JH1/JH2/JH15)
(41) In Between Table SK11	Ø: 90cm / 35.4in	4 x Catch (JH1/JH2/JH15)
(42) In Between Table SK3	Ø: 90cm / 35.4in	3 x Catch (JH1/JH2/JH15)



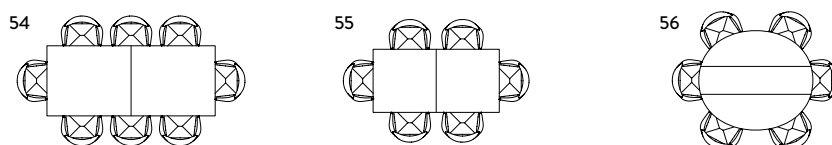
Elefy Dining Chair

Product	Size	Chairs
(43) In Between Table SK6	250 x 100cm / 98.4 x 39.3in	8 x Elefy (JH28 & JH29)
(44) In Between Table SK5	200 x 90cm / 78.7 x 35.4in	6 x Elefy (JH28 & JH29)
(45) Patch Table HW2	240 (+100cm) x 100cm / 94.5 (+39.4in) x 39.4in	8 x Elefy (JH28 & JH29) - (extended +2)
(46) Patch Table HW1	180 (+100cm) x 90cm / 70.9 (+39.4in) x 35.4in	6 x Elefy (JH28 & JH29) - (extended +2)
(47) In Between Table SK12	Ø: 120cm / 47.2in	5 x Elefy (JH28 & JH29)
(48) In Between Table SK4	Ø: 120cm / 47.2in	4 x Elefy (JH28 & JH29)
(49) In Between Table SK11	Ø: 90cm / 35.4in	3 x Elefy (JH28 & JH29)
(50) In Between Table SK3	Ø: 90cm / 35.4in	3 x Elefy (JH28 & JH29)



Drawn Dining Chair

Product	Size	Chairs
(51) Patch HW2	240 (+100cm) x 100cm / 94.5 (+39.4in) x 39.4in	10 x Drawn (HM3) / (extended +4)
(52) Patch HW1	180 (+100cm) x 90cm / 70.9 (+39.4in) x 35.4in	8 x Drawn (HM3) / (extended +4)
(53) Drop Leaf HM6	163 x 142cm / 64.2 x 55.9in	6 x Drawn (HM3)



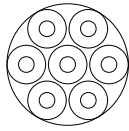
Drawn Armrest Chair

Product	Size	Chairs
(54) Patch HW2	240 (+100cm) x 100cm / 94.5 (+39.4in) x 39.4in	8 x Drawn (HM4) / (extended +2)
(55) Patch HW1	180 (+100cm) x 90cm / 70.9 (+39.4in) x 35.4in	6 x Drawn (HM4) / (extended +2)
(56) Drop Leaf HM6	163 x 142cm / 64.2 x 55.9in	6 x Drawn (HM4)

Blown Chandelier ^{SW3}

PRICE EX.
VAT (EUR)

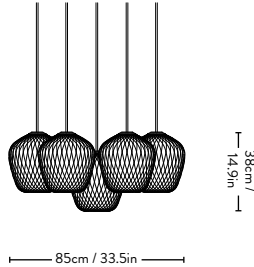
FROM
2.142



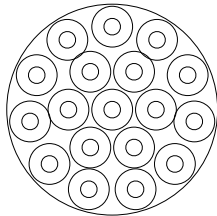
Ø: 85cm/33.5in

7 Lamps
Ex. canopy

Canopy available upon request



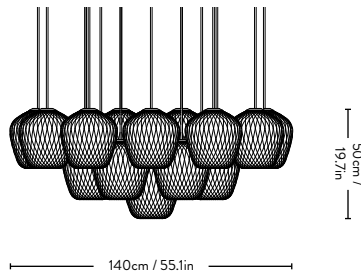
FROM
5.508



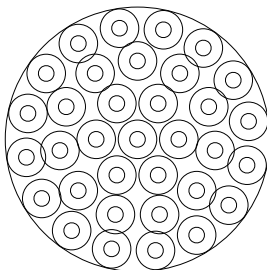
Ø: 140cm/55.1in

18 Lamps
Ex. canopy

Canopy available upon request



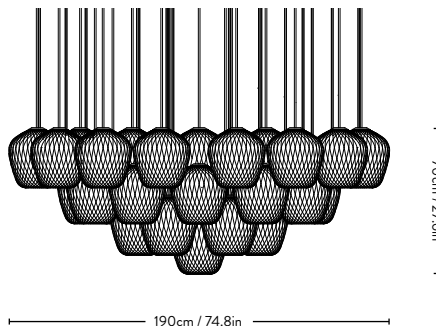
FROM
10.404



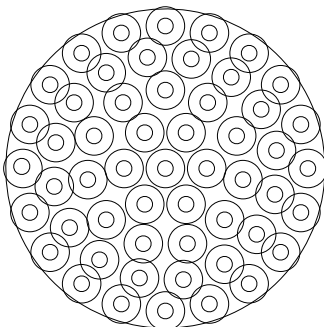
Ø: 190cm/74.8in

34 Lamps
Ex. canopy

Canopy available upon request



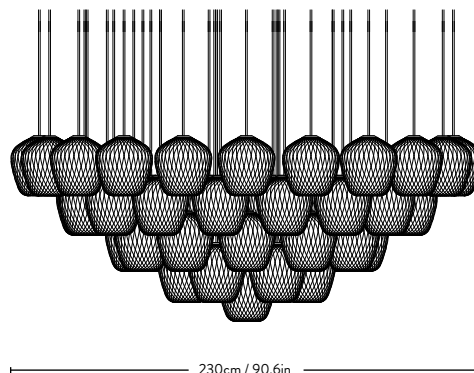
FROM
16.524



Ø: 230cm/90.6in

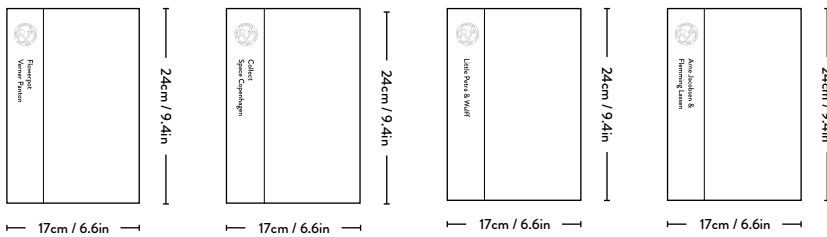
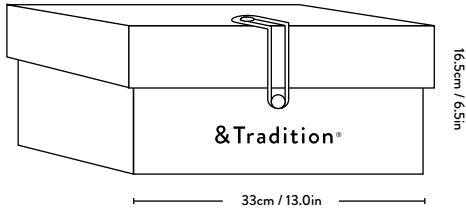
54 Lamps
Ex. canopy

Canopy available upon request



POS-Material

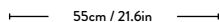
Product	Size	EUR NET PRICE
Samplebox	H: 16.5cm / 6.5in, L: 33cm / 13.0in, W: 23.5cm / 9.3in	217
Booklet / Flowerpot	H: 24cm / 9.4in, L: 17cm / 6.6in	Stock item
Booklet / Collect	H: 24cm / 9.4in, L: 17cm / 6.6in	Stock item
Booklet / Little Petra & Wulff	H: 24cm / 9.4in, L: 17cm / 6.6in	Stock item
Booklet / Arne Jacobsen & Flemming Lassen	H: 24cm / 9.4in, L: 17cm / 6.6in	Stock item



Logo3 Logo foil 80 cm - Oracal Black 070	H: 11.5cm / 4.5in, L: 80cm / 31.5in	Stock item
Logo4 Logo foil 80 cm - Light Ivory 018	H: 11.5cm / 4.5in, L: 80cm / 31.5in	Stock item
Logo5 Logo foil 100 cm - Oracal Black 070	H: 14.5cm / 5.7in, L: 100cm / 39.4in	Stock item
Logo6 Logo foil 100 cm - Light Ivory 018	H: 14.5cm / 5.7in, L: 100cm / 39.4in	Stock item
Logo7 Emblem Ø40cm - Oracal Black 070	Ø: 40cm / 15.7in	Stock item
Logo8 Emblem Ø40cm - Light Ivory 018	Ø: 40cm / 15.7in	Stock item
Logo10 Storytelling 55 cm - Oracal Black 070	H: 48.5cm / 19in, L: 55cm / 21.6in	Stock item
Logo11 Storytelling 55 cm - Light Ivory 018	H: 48.5cm / 19in, L: 55cm / 21.6in	Stock item
Folie4 Wulff 625 mm - Oracal Black 070	H: 70.6cm / 27.8in, L: 62.5cm / 25in	Stock item
Folie5 Wulff 625 mm - Light Ivory 018	H: 70.6cm / 27.8in, L: 62.5cm / 25in	Stock item
Folie6 Flowerpot 525 mm - Oracal Black 070	H: 38cm / 15in, L: 52.5cm / 21in	Stock item
Folie7 Flowerpot 525 mm - Light Ivory 018	H: 38cm / 15in, L: 52.5cm / 21in	Stock item



&Tradition's vision is to create a more conscious, comfortable and beautiful world. With a passionate approach to masterly design, we preserve icons of the past whilst creating the classics of tomorrow, bringing you a collection infused with enduring qualities that work to connect people and places. Always respectfully. Always made to last.



Wulff | 1938

First produced in a traditional Danish cabinetmaker's workshop in the 1930s, the original Wulff was made-to-order, as all furniture of that era was. It was an exciting time for design, as Copenhagen-based master carpenters and architects started to collaborate on pieces that would lay the foundations for the golden age of Danish Modern. Wulff is a striking example of that nascent dialogue between artisan and designer: the boundary-pushing sculptural armrests, which join to an expansive, wing-shaped backrest, are underpinned by the finest craftsmanship.



Flowerpot | 1968 Verner Pantón

Born during the Flower Power movement of the late 1960s, Verner Pantón's Flowerpot lamp represents one of the most norm-breaking designs of the time.

The lamp's series consists of six different models, including three pendants, two table lamps and a portable lamp – all in a wide range of colours.



Spare Parts

Item no.	Product	Colour	Colli qty.	PRICE EX. VAT (EUR)
BALDA50-1	Canopy	White	1 pc	11
BALDA51-1	Canopy	Black	1 pc	11
20600230	Canopy for wire suspension (SW3 + SC8)	White	1 pc	11
20600294	Canopy for wire suspension (SW3 + SC8)	Black	1 pc	11
BALDA70	P376 Canopy KF1/KF2	Matt White	1 pc	45
BALDA71	P376 Canopy KF1/KF2	Alu	1 pc	45
RV217000R	VP1, Stand		1 pc	28
RV217005	VP1, VP6, Logo ring + screw thread		1 pc	9
RV217200R	VP3, Stand		1 pc	33
RV217205	VP3, Logo ring + top ball		1 pc	11
RV217305	VP4, Logo ring + screw thread		1 pc	16
RV207501	VP9, Logo ring + top ball		1 pc	11
RV207502	VP9 Logo ring + top ball, Grommet	Brass / Chrome	1 pc	11
200400-1	Mega bulb shade	Clear	1 pc	79
200500-1	Mega bulb shade	Silver	1 pc	79
200600-1	Mega bulb shade	Gold	1 pc	79
RV204030	Milk shade	Opal glass	1 pc	56
RV206100	Mass light shade	Matt	1 pc	56
RV203200	Journey glass shade (SHY2)	Opal	1 pc	56
20820000-2	Herman shade (SHY3)	Opal	2 pcs	
20820000-1	Herman base (SHY3)	Opal	2 pcs	
SP83529529	Manhattan textile shade (SC52)		1 pc	56
SP23101601	Raku SH8, Shade	Bronzed	1 pc	102
SP23101691	Raku SH8, Shade	Brass	1 pc	102
SP23101601-1	Raku SH8, Shade	Blue Green	1 pc	56
SP23101691-1	Raku SH8, Shade	Beige Grey	1 pc	56
RV20951120	G9 Glass diffuser (SHY2, SC6 Opal)		1 pc	9
SP206330	Fitting system (SW3)	White	1 pc	56
SP206394	Fitting system (SW3)	Black	1 pc	56
SP2064030	Fitting system (SW4)	White	1 pc	45
SP2064094	Fitting system (SW4)	Black	1 pc	45
20989990	Oil kit for smoked oak		1 pc	33
20989999	Laminate Cleaning Kit		1 pc	19
210608	1W light source (SC52, SC53, MF1, SH8)		1 pc	11
210607	3W light source (JH27)		1 pc	6

Spare Parts

Item no.	Product	Colour	Colli qty.	PRICE EX. VAT (EUR)
210611	3W LED unit (VP9)		1 pc	22
210610	Battery (SC52, SC53, MF1, SH8)		1 pc	16
210612	Battery (VP9)		1 pc	22
210650	Battery (JH27)		1 pc	16
210613	USB Cable (VP9)		1 pc	11
210616	USB Magnetic cable (Manhattan SC52, Como SC53, Caret MF1, Raku SH8)		1 pc	11
210618	USB cable (Lucca SC51)		1 pc	11
210651	USB cable (Setago JH27)		1 pc	11
210614	Plug Adapter (EU)		1 pc	11
210614UK	Plug Adapter (UK)		1 pc	11
210654	Screwdriver (SC54)		1 pc	5
SP3004301	Cord (textile)	Beige Red	1m	5
SP3005001	Cord (textile)	Dark Green	1m	5
SP3008901	Cord (textile)	Grey Beige	1m	5
SP3002201	Cord (textile)	Mustard	1m	5
SP2070300	Cord (textile)	White	1m	5
SP2070940	Cord (textile)	Black	1m	5
SP3009102	Cord (textile)	Matt Light Grey	1m	5
SP3004501	Cord (textile)	Red Brown	1m	5
SP3005201	Cord (textile)	Light Blue	1m	5
SP3005401	Cord (textile)	Stone Blue	1m	5
SP3008801	Cord (textile)	Pale Sand	1m	5
SP3009201	Cord (textile)	Signal Green	1m	5
SP2011000	Cord (PVC)	Clear	1m	5
65002000	Fly seat cushion	COM Fabric	1 pc	397
65002005	Fly seat cushion	Canvas, Linara, Maple, Remix, Re-Wool	1 pc	397
65002006	Fly seat cushion	Divina Melange, Duke, Fiord, Hallingdal, Ritz, Ruskin, Steelcut, Steelcut Trio, Tonus, Velvet, Zero	1 pc	476
65002007	Fly seat cushion	Balder, Harald, Loop, Sunniva, Vidar	1 pc	556
65002008	Fly seat cushion	Fuse, Karakorum	1 pc	874
65012000	Fly back cushion	COM Fabric	1 pc	238
65012005	Fly back cushion	Canvas, Linara, Maple, Remix, Re-Wool	1 pc	238
65012006	Fly back cushion	Divina Melange, Duke, Fiord, Hallingdal, Ritz, Ruskin, Steelcut, Steelcut Trio, Tonus, Velvet, Zero	1 pc	261
65012007	Fly back cushion	Balder, Harald, Loop, Sunniva, Vidar	1 pc	295
65012008	Fly back cushion	Fuse, Karakorum	1 pc	454
65022000	Fly small pillow	COM Fabric	1 pc	136
65022005	Fly small pillow	Canvas, Linara, Maple, Remix, Re-Wool	1 pc	136

Spare Parts

Item no.	Product	Colour	Colli qty.	PRICE EX. VAT (EUR)
65022006	Fly small pillow	Divina Melange, Duke, Fiord, Hallingdal, Ritz, Ruskin, Steelcut, Steelcut Trio, Tonus, Velvet, Zero	1 pc	261
65022007	Fly small pillow	Balder, Harald, Loop, Sunniva, Vidar	1 pc	295
65022008	Fly small pillow	Fuse, Karakorum	1 pc	454
65032000	Fly medium pillow	COM Fabric	1 pc	136
65032005	Fly medium pillow	Canvas, Linara, Maple, Remix, Re-Wool	1 pc	136
65032006	Fly medium pillow	Divina Melange, Duke, Fiord, Hallingdal, Ritz, Ruskin, Steelcut, Steelcut Trio, Tonus, Velvet, Zero	1 pc	147
65032007	Fly medium pillow	Balder, Harald, Loop, Sunniva, Vidar	1 pc	170
65032008	Fly medium pillow	Fuse, Karakorum	1 pc	272
RV701040	Shuffle Table Top MH1	Spectrum	1 pc	90
RV701050	Shuffle Table Top MH1	Array	1 pc	90

Material care & cleaning

We challenge convention to create objects that rethink how we use materials and manufacturing techniques. We find beauty in objects that can be created by the latest industrial processes as well as those that maintain techniques that have evolved over a long period of time. We strive for timeless beauty and quality that is made to last.

Find below information about the materials and finishes used in the collection as well as guidelines for daily care, cleaning and maintenance.

Oiled oak & walnut

Oiled oak & walnut, whether solid or veneered, is a fundamental material in the &Tradition collection.

To a greater extent than lacquering and staining, oiling leaves the wood feeling and looking natural and still offers a good surface protection. Oiled wood will develop a natural patina and character over time which will only enhance the beauty of the material.

Solid oak and oak veneer is oiled using either white pigmented oil or a dark smoked oil. The white pigmented oil allow the oak to maintain its original and natural light colour for longer and thereby protects the wood from premature darkening and turning yellow. The smoked oil offers a unique dark finish and character. Variations in wood structure and colour are natural characteristics of solid oak. This feature is further enhanced when applying the smoked oil and should be seen as part of the overall product.

For daily care, dust oiled furniture with a soft dry cloth. Cleaning can be done using a soft cloth wrung in lukewarm water following the wood grain and dried immediately with a soft cloth following the wood grains. For more severe cleaning a soap specifically developed for oiled wood can be used. Follow the instructions on the packaging of the cleaning product.

Solid walnut or walnut veneer is oiled using a natural coloured oil to maintain its original colour for longer and thereby protect the wood. To maintain the look and silky feeling of oiled wood, regular re-oiling is recommended. Re-oiling should be done when the wood starts to appear dry or faded. Usually, re-oiling one time every year is sufficient. Re-oiling of white oiled oak can be done by applying standard white pigmented oil for indoor wood products. Reoiling walnut can be done by applying standard natural oil for indoor wood products. Follow the instructions on the oil packaging. Smoked oiled furniture can be re-oiled and maintained by applying &Tradition smoked oil. A smoked oil kit can be bought through the retailer that initially sold the furniture. The smoked oil kit comes with user instructions.

Avoid use of cleaning detergents and abrasive cleaning agents as they may damage the surface of the oiled wood. Avoid placing wooden furniture in direct sunlight, excessive heat or humidity.

Lacquered or stained wood

Lacquered or stained wood offers a stronger surface than oiling and is also effective when coloured surfaces are desired. Compared to oiled wood, lacquered and stained wood is easier to clean and requires no maintenance.

For daily care it is recommended to dust the furniture with a soft cloth. Lacquered and stained wood can be cleaned with a soft cloth wrung in a mild solution of lukewarm water and a universal cleaning detergent. Always follow the wood grains and always dry with a soft dry cloth immediately after cleaning.

Avoid use of abrasive cleaning agents and aggressive cleaning detergents as this will damage the surface of the lacquered or stained wood. Avoid placing wooden furniture in direct sunlight, excessive heat or humidity.

Soaped oak

For daily care, dust soaped furniture with a soft dry cloth. When cleaning, use a soft cloth wrung in lukewarm water following the wood grain, and dry immediately with a soft cloth following the wood grain.

For more thorough cleaning due to stains, marks or other damage, you may lightly sand the surface with a 180 - 240 grit sanding sponge. Then wipe the surface with a soft, dry cloth to remove any dust. Afterwards, wipe the sanded surface with a soft, dry cloth to remove any dust.

To maintain the look and smooth feeling of soaped wood, regular re-soaping is recommended. Re-soaping should be done when the wood starts to appear dry or faded. Usually, re-soaping one to two times every year is sufficient. We recommend 25ml organic white soap flake solution for every 1 litre of lukewarm water. Before application, ensure that all soap flakes are completely dissolved. Apply the soap solution to a damp sponge and cover the wooden surface with long, even strokes following the natural grain direction. Always ensure that you are not over-soaking the surface as this may cause permanent damage.

Avoid the use of cleaning detergents, abrasive cleaning agents or steel wool as they may damage the surface of the soaped wood. Avoid placing wooden furniture in direct sunlight, excessive heat or humidity.

Linoleum

Table tops with linoleum offers a soft touch surface that does not feel as cold and hard as laminate. Regular cleaning is done with a soft cloth wrung in a mild solution of lukewarm water and a universal cleaning detergent.

Avoid placing sharp objects on the surface as this may scratch the surface. It is recommended to use trivets or coasters under flowerpots, vases, cups etc.

Laminate

Laminate is a hard-wearing and maintenance free material used for table tops in the &Tradition collection.

Laminate can be cleaned with a soft cloth wrung in a mild solution of lukewarm water and a universal cleaning detergent. Always wipe over with a dry soft cloth after cleaning. For difficult stains such as coffee or tea use a nylon bristle brush with mild household cleaner or detergent, rinsing with clean water and repeating as necessary. Rinse thoroughly with water.

An &Tradition laminate care kit can be bought through the retailer that initially sold the furniture. The kit comes with user instructions.

Fenix NTM Nano laminate

Fenix NTM Nano laminate is a soft touch laminate based on nano technology and is used for table tops as an alternative to linoleum and standard laminate. The nano laminate offers unique features such as scratch resistance, soft touch, low light reflectivity, anti-fingerprint and much more.

For more details about the unique properties of nano laminate, as well as cleaning and maintenance refer to: www.fenixntm.com/en

Glass

Glass, in various colours and shapes, is an important material in the &Tradition lighting collection. All glass is mouth blown and hand crafted which ensures that each item is unique and has its own character. Examples of characteristics of mouth blown glass are minor air bubbles and variations in form and thickness.

A number of the glass products in the lighting collection are coloured in silver and gold tones using a traditional lustre painting technique. Lustre is applied with a brush to the clear glass by skilled craftsmen and the glass is subsequently burned at +450°C to melt the lustre colour into the glass mass. The process ensures a very smooth and

Material care & cleaning

highly scratch resistant surface. Since the entire process of applying the lustre is performed by hand, slight deviations in colour may occur from item to item. Daily cleaning of glass is best done using a dry soft cloth. If more severe cleaning is necessary, it is recommended to use a soft cloth in combination with a standard glass cleaning detergent and dry off with a soft dry cloth afterwards. Avoid using abrasive cleaning agents on glass as this will damage the surface.

Marble & Travertine

Marble and travertine are used in the &Tradition collection on both lighting products and furniture.

The natural material offers a distinctive and exclusive look and two items will never look the same.

Marble and travertine used on &Tradition table tops are treated with a sealer which makes the table top more stain resistant than untreated marble. However, it is strongly recommended always to use a trivet and not to place glasses or cups with liquids directly onto the table top. As a natural material, marble & travertine are sensitive to liquids and if not removed immediately, spilled liquids will leave a permanent stain on the table top.

For daily care and cleaning it is recommended to use a cleaning agent specifically developed for stone or marble. It is also highly recommended to do a re-sealing of the table top approximately every second month using an appropriate sealer developed specifically for stone or marble.

The marble used on lighting products has no surface protection and is therefore more exposed to stains and marks. If possible, it is recommended only to clean marble on lighting products with a soft dry cloth. In case more severe cleaning is necessary, use a cleaning agent specifically developed for stone or marble. Avoid using abrasive cleaning agents or aggressive cleaning detergents on marble as this will permanently damage the surface.

Lacquered & Powder coated metal

The majority of the lighting products in the &Tradition collection have a lacquered or powdercoated surface. These surfaces are durable, require no maintenance and offer an endless palette of colours, textures and gloss.

It is recommended only to use a soft dry cloth to clean lacquered and powder coated surfaces but in case more severe cleaning is necessary, a soft cloth wrung in lukewarm water can be carefully applied. Always dry immediately after cleaning with a soft dry cloth. Avoid using abrasive cleaning agents or aggressive cleaning detergents on lacquered or powder coated surfaces as this may permanently damage the surface.

Stainless steel

Stainless steel is used on both lighting products and furniture in either a mirror-polished or satin-polished finish. Stainless steel is a classic strong corrosion resistant material that requires no surface protection and will not change appearance over time.

Dust stainless steel products for daily care using only a soft dry cloth. Cleaning of stainless steel should be done only by using a cleaning detergent specifically for stainless steel. Follow the instructions on the packaging. Cleaning agents not developed specifically for stainless steel may permanently damage the surface of the stainless steel and should never be used.

Brass & Copper

Brass and copper is used for both lighting products and furniture in either a mirror-polished or satin-polished finish. Depending on the product, the brass and copper may be coated using a transparent lacquer or left untreated. Coated brass and copper will not change appearance over time whereas uncoated brass and copper will develop a unique and beautiful patina over time adding character to the product.

For daily cleaning of coated brass and copper it is recommended only to use a soft dry cloth. For removal of stains, a soft cloth wrung in lukewarm water can be carefully

applied. Always dry immediately after cleaning with a soft dry cloth. For daily cleaning of uncoated brass and copper it is recommended only to use a soft dry cloth. In case a patina of the material is not desired, the material can be regularly cleaned and polished using a detergent specifically for brass and copper.

Avoid using abrasive cleaning agents or aggressive cleaning detergents on coated and uncoated brass and copper as this will permanently damage the surface.

Handloomed-woven rugs

The rugs in the &Tradition collection are hand-made in India by skilled craftsmen using carefully selected natural materials. Being handmade, each rug will have its own unique character and therefore patterns and colours of two rugs will never be identical.

A new rug will shed a bit of fluff caused by excess fibers that were not fully spun into the yarn during spinning. This is normal and over time, the fluffing will lessen and eventually stop.

To prolong the lifetime of a rug, it is highly recommended to use a rug underlay. An underlay ensures that the rug remains in a fixed position and will also reduce the risk of staining.

For daily care, vacuum the rug regularly to keep it free from fluff and dust or sand particles which will wear and tear the rug over time if not removed. Spots can be attempted to be removed by dabbing the spots very gently with a damp cloth soaked in carbonated water. In case more thorough cleaning is necessary, professional cleaning is recommended.

Placing a rug in direct sunlight is not recommended as it will fade the colours of the rug over time.

Plastic

For daily cleaning it is recommended to use a soft cloth wrung in lukewarm water. For more severe cleaning a mild detergent can be used. Always dry immediately after.

Mirror

Use household glass cleaner for the mirror. To avoid damaging the surface of the mirror frame, always spray the glass cleaner onto a soft cloth and clean the mirror.

Waxed and anodized aluminum

The aluminium used on the column shelves is either anodized black or in a natural hand polished finish which is treated with a protective wax. Both versions can be cleaned using a soft cloth wrung in lukewarm water. Always dry immediately with a soft cloth. Avoid use of abrasive cleaning products such as steel wool or polish. Never use aggressive or abrasive cleaning detergents for any parts of the shelf, as this will cause irreparable damage.

Rattan

To retain the strength and flexibility of rattan wicker, the material needs to be maintained with a soap treatment 10-12 times a year using the following solution:

- Prepare 1 teaspoon of soap flakes dissolved in 1 litre of lukewarm water.
- Spray the solution on both the front and the back of rattan and allow it to penetrate.
- If needed, wipe away leftover liquids with a damp cloth.

The rattan has a delicate white expression when new. This will develop over time, darkening and forming a beautiful patina.

Fabric Overview

Manufacturer	Fabric	Martindale	BS 5852 (Part 1)	EN 1021 (Part 1/2)	US. Cal. Bull 117-2013	BS5852 Crib 5.	CRIB 5 Treatable
Kvadrat	Balder	100.000	•	•	•		•
	Canvas	100.000	•	•	•		•
	Clay	45.000	•	•			•
	Divina Melange	44.000	•	•	•	•	
	Divina 3	58.000	•	•	•	•	
	Duke	70.000					•
	Fiord	60.000	•	•	•		•
	Fuse	10.000	•	•	•	•	
	Gentle	80.000	•	•	•		•
	Hallingdal	100.000	•	•	•	•	
	Harald	100.000		•			
	Maple	30.000	•	•	•		•
	Moss	50.000	•	•			•
	Reflex	100.000	•	•	•		•
	Remix	100.000	•	•	•		•
	Re-Wool	100.000	•	•	•		•
	Steelcut 2	83.000	•	•	•		•
	Steelcut Trio 3	120.000	•	•	•		•
	Sunniva	50.000		•	•		•
	Tonus	100.000	•	•	•		•
Uniform Melange	80.000	•	•	•		•	
Vidar	100.000	•	•	•		•	
Zero	70.000		•			•	

◦ Pass with treatment.

* Can be tested upon request.











Fabric Overview











Manufacturer	Fabric	Martindale	BS 5852 (part 1)	EN 1021 (part 1/2)	Us. Cal. Bull 117-2013	BS5852 Crib 5.	CRIB 5 Treatable
&Tradition	Velvet	100.000		•			•
CAMO Leathers	Silk	30.000	•		•		
Continental	Skai Parotega		•	•	•	•	
Dedar	Atelier Moderne	40.000		•			•
	Atlas	26.000	•		•		•
	Karakorum	40.000	•	•	•	•	
	Karandash	40.000	•	•	•		•
	Nimbus	40.000	•		•	•	
	Serafino	29.000	•	•			•
	Svevo	40.000	•		•	•	
Elmo Leathers	Baltique		•	•	•		
	Rustical		•	•	•		
JAB	Hot Madison	55.000	•		•		•
Nevotex	Ritz	100.000		•			•
Penelope Oggi	Nabuk		•	•	•		
Pierre Frey	La toile du peintre	12.000	•				
	Linara	36.000		•	•		•
	Loop	60.000	◦	• (part 1)	•		•
	Orion	100.000	•	•	•		•
	Ruskin	60.000	◦	•			•
Scandilock	Sheepskin		•		•	•	
Sørensen Leather	Sorensen Duet - Nubuck		•	•	•		
	Sorensen Duet - Suede		•	•			

◦ Pass with treatment.

* Can be tested upon request.

Colour Codes

	Flowerpot						Topan	Spinning		
										
	VP1	VP7	VP2	VP3	VP4	VP8	VP9	V6	BH1	BH2
Mustard NCS S 3060-Y10R	•	•	•	•		•	•	•		
Beige Red RAL 3012	•	•		•		•	•			
Red Brown RAL 8012	•	•	•	•				•		
Stone Blue NCS S 6005-B80G	•	•	•	•			•			
Light Blue NCS S 3020 R90B	•	•		•			•			
Dark Green NCS S 8010-B70G	•	•	•	•			•			
Grey Beige NCS S 4005-Y20R	•	•	•	•		•	•			
White RAL 9010	•	•	•	•			•			
Signal Green RAL 6032	•	•		•			•			
Pale Sand RAL 1000	•	•		•			•			
Matt Black RAL 9017	•	•	•	•	•	•	•	•	•	•
Matt White RAL 9003	•	•	•	•	•	•	•			
Matt Light Grey Pantone 3 U	•	•	•	•		•	•			

	Bellevue				Copenhagen			Tripod	Lucca	
										
	AJ7	AJ9	AJ10	AJ11	SC6	SC7	SC8	HM8	HM9	SC51
Black RAL 9011	•	•	•	•						
White RAL 9010	•	•								
Stone Grey RAL 7022	•									
Matt Black RAL 9005					•	•	•	•	•	•
Maroon RAL 8012								•	•	•
Moss RAL 7010								•	•	•

*Variations in colours might occur.

Packaging Information

Product	Model	Category	Height cm	Width cm	Length cm	Weight	Colli qty.
Catch	JH1	Chair	90	61	61	15.50 kg	1 pc
Catch	JH2	Chair	90	61	61	16.50 kg	1 pc
Catch	JH15	Chair	90	61	61	15.50 kg	1 pc
Catch	JH13	Lounge Chair	90	84	94	19.00 kg	1 pc
Catch	JH14	Lounge Chair	90	84	94	19.00 kg	1 pc
Catch	JH16	Counter Stool	125	61	61	21.20 kg	1 pc
Catch	JH17	Bar Stool	125	61	61	19.50 kg	1 pc
Elefy	JH28	Chair	83	59	59	9.40 kg	1 pc
Elefy	JH29	Chair	83	59	59	11.20 kg	1 pc
Elefy	JH30	Chair	83	59	59	10.00 kg	1 pc
Elefy	JH31	Chair	83	59	59	11.80 kg	1 pc
Elefy	JH32	Chair	83	59	59	12.20 kg	1 pc
Elefy	JH33	Chair	83	59	59	14.00 kg	1 pc
Elefy	JH34	Chair	83	59	59	12.20 kg	1 pc
Elefy	JH35	Chair	83	59	59	14.00 kg	1 pc
Elefy	JH36	Chair	83	59	59	12.70 kg	1 pc
Elefy	JH37	Chair	83	59	59	14.50 kg	1 pc
In Between	SK1	Chair	95	72	60	13.30 kg	2 pcs
In Between	SK2	Chair	95	72	60	13.80 kg	2 pcs
In Between	SK7	Counter Stool	104	54	60	8.50 kg	1 pc
In Between	SK8	Counter Stool	104	54	60	8.70 kg	1 pc
In Between	SK9	Bar Stool	104	54	60	8.90 kg	1 pc
In Between	SK10	Bar Stool	104	54	60	9.10 kg	1 pc
Pavilion	AV1	Chair	89	55	55	17.40 kg	2 pcs
Pavilion	AV2	Chair with Armrest	87	58	59	19.45 kg	2 pcs
Pavilion	AV3	Chair	89	55	55	18.40 kg	1 pc
Pavilion	AV4	Chair with Armrest	87	58	59	20.45 kg	1 pc
Pavilion	AV5	Lounge Chair	70	69	65	8.95 kg	1 pc
Pavilion	AV6	Lounge Chair	70	69	65	8.95 kg	1 pc
Pavilion	AV7	Counter Stool	97	51	53	7.25 kg	1 pc
Pavilion	AV8	Counter Stool	97	51	53	7.35 kg	1 pc
Pavilion	AV9	Bar Stool	95	52	50	7.25 kg	1 pc
Pavilion	AV10	Bar Stool	95	52	50	7.25 kg	1 pc
Pavilion	AV11	Lounge Chair	70	69	65	8.95 kg	1 pc
Pavilion	AV12	Chair	89	55	55	18.40 kg	1 pc
Pavilion	AV13	Chair with Armrest	87	58	59	20.45 kg	1 pc
Pavilion	AV14	Counter Stool	97	51	53	7.35 kg	1 pc
Pavilion	AV15	Bar Stool	95	52	50	7.25 kg	1 pc
Rely	HW6	Chair	84	51	60	9.05 kg	1 pc
Rely	HW7	Chair	84	51	60	10.35 kg	1 pc

Packaging Information

Product	Model	Category	Height cm	Width cm	Length cm	Weight	Colli qty.
Rely	HW8	Chair	84	51	60	9.55 kg	1 pc
Rely	HW9	Chair	84	51	60	10.65 kg	1 pc
Rely	HW10	Chair	84	51	60	10.65 kg	1 pc
Rely	HW11	Chair	84	51	60	11.65 kg	1 pc
Rely	HW12	Chair	84	51	60	12.95 kg	1 pc
Rely	HW13	Chair	84	51	60	12.15 kg	1 pc
Rely	HW14	Chair	84	51	60	13.25 kg	1 pc
Rely	HW15	Chair	84	51	60	13.25 kg	1 pc
Rely	HW16	Chair	84	51	60	11.65 kg	1 pc
Rely	HW17	Chair	84	51	60	12.95 kg	1 pc
Rely	HW18	Chair	84	51	60	12.15 kg	1 pc
Rely	HW19	Chair	84	51	60	13.25 kg	1 pc
Rely	HW20	Chair	84	51	60	13.25 kg	1 pc
Rely	HW21	Chair	84	51	60	11.65 kg	1 pc
Rely	HW22	Chair	84	51	60	12.95 kg	1 pc
Rely	HW23	Chair	84	51	60	12.15 kg	1 pc
Rely	HW24	Chair	84	51	60	13.25 kg	1 pc
Rely	HW25	Chair	84	51	60	13.25 kg	1 pc
Rely	HW26	Chair	84	56	60	8.80 kg	1 pc
Rely	HW27	Chair	84	56	60	8.80 kg	1 pc
Rely	HW28	Chair	82	68	68	12.50 kg	1 pc
Rely	HW29	Chair	82	68	68	13.80 kg	1 pc
Rely	HW30	Chair	82	68	68	13.00 kg	1 pc
Rely	HW31	Chair	82	68	68	14.10 kg	1 pc
Rely	HW32	Chair	82	68	68	14.10 kg	1 pc
Rely	HW33	Chair	85	62	62	10.90 kg	1 pc
Rely	HW34	Chair	85	62	62	12.10 kg	1 pc
Rely	HW35	Chair	85	62	62	5.70 kg	1 pc
Rely	HW36	Chair	85	62	62	6.80 kg	1 pc
Rely	HW37	Chair	85	62	62	6.80 kg	1 pc
Rely	HW38	Chair	85	62	62	13.40 kg	1 pc
Rely	HW39	Chair	85	62	62	14.70 kg	1 pc
Rely	HW40	Chair	85	62	62	9.40 kg	1 pc
Rely	HW41	Chair	85	62	62	9.40 kg	1 pc
Rely	HW42	Chair	85	62	62	9.40 kg	1 pc
Rely	HW43	Chair	85	62	62	13.40 kg	1 pc
Rely	HW44	Chair	85	62	62	14.70 kg	1 pc
Rely	HW45	Chair	85	62	62	8.30 kg	1 pc
Rely	HW46	Chair	85	62	62	9.40 kg	1 pc
Rely	HW47	Chair	85	62	62	9.40 kg	1 pc

Packaging Information

Product	Model	Category	Height cm	Width cm	Length cm	Weight	Colli qty.
Rely	HW48	Chair	85	62	62	13.40 kg	1 pc
Rely	HW49	Chair	85	62	62	14.70 kg	1 pc
Rely	HW50	Chair	85	62	62	8.30 kg	1 pc
Rely	HW51	Chair	85	62	62	9.40 kg	1 pc
Rely	HW52	Chair	85	62	62	9.40 kg	1 pc
Rely	HW53	Chair	85	62	62	14.50 kg	1 pc
Rely	HW54	Chair	85	62	62	15.80 kg	1 pc
Rely	HW55	Chair	85	68	68	9.40 kg	1 pc
Rely	HW56	Chair	85	68	68	10.50 kg	1 pc
Rely	HW57	Chair	85	68	68	10.50 kg	1 pc
Rely	HW70	Outdoor Chair	84	51	60	8.80 kg	1 pc
Rely	HW71	Chair				5.68 kg	1 pc
Rely	HW72	Chair				6.48 kg	1 pc
Rely	HW73	Chair				6.48 kg	1 pc
Rely	HW74	Chair				7.28 kg	1 pc
Rely	HW75	Chair				7.28 kg	1 pc
Rely	HW76	Chair				7.04 kg	1 pc
Rely	HW77	Chair				8.24 kg	1 pc
Rely	HW78	Chair				7.74 kg	1 pc
Rely	HW79	Chair				7.98 kg	1 pc
Rely	HW80	Chair				7.98 kg	1 pc
Rely	HW81	Counter stool	81	46	47	6.98 kg	1 pc
Rely	HW82	Counter stool	81	46	47	7.73 kg	1 pc
Rely	HW83	Counter stool	81	46	47	7.28 kg	1 pc
Rely	HW84	Counter stool	81	46	47	7.93 kg	1 pc
Rely	HW85	Counter stool	81	46	47	7.93 kg	1 pc
Rely	HW86	Bar stool	91	46	47	7.22 kg	1 pc
Rely	HW87	Bar stool	91	46	47	7.97 kg	1 pc
Rely	HW88	Bar stool	91	46	47	7.52 kg	1 pc
Rely	HW89	Bar stool	91	46	47	8.17 kg	1 pc
Rely	HW90	Bar stool	91	46	47	8.17 kg	1 pc
Rely	HW91	Counter chair	103	51	55	9.42 kg	1 pc
Rely	HW92	Counter chair	103	51	55	10.22 kg	1 pc
Rely	HW93	Counter chair	103	51	55	9.92 kg	1 pc
Rely	HW94	Counter chair	103	51	55	11.02 kg	1 pc
Rely	HW95	Counter chair	103	51	55	11.02 kg	1 pc
Rely	HW96	Bar chair	113	51	55	9.74 kg	1 pc
Rely	HW97	Bar chair	113	51	55	10.54 kg	1 pc
Rely	HW98	Bar chair	113	51	55	10.24 kg	1 pc
Rely	HW99	Bar chair	113	51	55	11.34 kg	1 pc

Packaging Information

Product	Model	Category	Height cm	Width cm	Length cm	Weight	Colli qty.
Rely	HW100	Bar chair	113	51	55	11.34 kg	1 pc
Rely	HW101	Lounge Chair				6.42 kg	1 pc
Rely	HW102	Lounge Chair				7.62 kg	1 pc
Rely	HW103	Lounge Chair				7.12 kg	1 pc
Rely	HW104	Lounge Chair				7.36 kg	1 pc
Rely	HW105	Lounge Chair				7.36 kg	1 pc
Rely	ATD4	Outdoor Table Top	4	65	75	8.10 kg	1 pc
Rely	ATD5	Outdoor Table Top	4	75	75	7.00 kg	1 pc
Rely	ATD4 & ATD5	Outdoor Table base	14	49	49	7.10 kg	1 pc
Betty	TK1	Stackable Chair	86	52	52	9.95 kg	2 pcs
Betty	TK2	Stackable Chair	86	52	52	12.15 kg	2 pcs
Betty	TK3	Chair	86	53	52	13.15 kg	1 pc
Betty	TK4	Bench	8	108	38	7.40 kg	1 pc
Betty	TK5	Bench	8	159	38	9.80 kg	1 pc
Betty	TK7	Stool	70	42	42	4.90 kg	1 pc
Betty	TK8	Stool	80	42	42	4.90 kg	1 pc
Boomerang	HM1	Lounge Chair	81	79	80	8.00 kg	1 pc
Boomerang	HM2	Lounge Chair	81	79	80	9.00 kg	1 pc
X chair	HM10	Lounge Chair	80	81	69	14.15 kg	1 pc
Drawn	HM3	Chair	78	46	49	6.50 kg	1 pc
Drawn	HM4	Chair	78	46	54	8.70 kg	1 pc
Little Petra	VB1	Lounge Chair	88	88	88	27.20 kg	1 pc
Little Petra	VB2	Sofa	85	150	78	43.10 kg	1 pc
Little Petra & Pouf	VB1 & ATD1	Sofa & Pouf	80	88	88	32.30 kg	1 pc
Pouf	ATD1	Pouf	41	53	53	6.80 kg	1 pc
Wulff	ATD2	Lounge Chair	90	91	93	15.00 kg	1 pc
Wulff	ATD3	Pouf	42	55	60	8.50 kg	1 pc
Wulff	ATD2 & ATD3	Lounge Chair & Pouf	90	91	93	32.60 kg	1 pc
Loafer	SC23	Lounge Chair	80	75	75	31.50 kg	1 pc
Loafer	SC24	Chair	80	65	65	33.20 kg	1 pc
Loafer	SC25	Sofa	80	153	73	43.80 kg	1 pc
Loafer	SC26	Sofa	80	188	73	54.10 kg	1 pc
Margas	LC1	Lounge Chair	81	95	95	26.00 kg	1 pc
Margas	LC2	Lounge Chair	81	95	95	32.00 kg	1 pc
Margas	LC3	Sofa	81	165	95	38.00 kg	1 pc
Mayor	AJ5	Sofa	80	211	73	82.00 kg	1 pc
Mayor	AJ6	Sofa	80	150	74	57.00 kg	1 pc
Cloud One Seater	LN1	Lounge Chair	75	108	89	63.80 kg	1 pc
Cloud Two Seater	LN2	Sofa	75	179	90	83.95 kg	1 pc
Cloud Three Seater	LN3.2	Sofa	76	90	228	102.40 kg	1 pc

Packaging Information

Product	Model	Category	Height cm	Width cm	Length cm	Weight	Colli qty.
Cloud	LN5	Lounge Chair	120	109	90	73.80 kg	1 pc
Cloud High Back	LN6	Sofa	120	179	90	98.25 kg	1 pc
Cloud High Back	LN7	Sofa	120	229	90	118.70 kg	1 pc
Inland	AV22	Sofa	69	102	182	78.10 kg	1 pc
Inland	AV23	Sofa	69	104	231	92.00 kg	1 pc
Develius	EV5	Modular Sofa	50	80	17	6.05 kg	1 pc
Develius	EV6	Modular Sofa	50	50	15	3.10 kg	1 pc
Develius	EV7	Modular Sofa	35	50	13	1.70 kg	1 pc
Develius	EV1A	Modular Sofa	74	114	93	57.10 kg	1 pc
Develius	EV1B	Modular Sofa	74	114	93	57.10 kg	1 pc
Develius	EV1C	Modular Sofa	74	94	94	42.35 kg	1 pc
Develius	EV1D	Modular Sofa	74	94	94	42.35	1 pc
Develius	EV1E	Modular Sofa	46	93	93	31.50 kg	1 pc
Develius	EV1F	Modular Sofa	74	114	93	57.10 kg	1 pc
Develius	EV1G	Modular Sofa	74	114	93	57.10 kg	1 pc
Develius	EV1H	Modular Sofa	74	115	155	79.40 kg	1 pc
Develius	EV1I	Modular Sofa	74	115	155	79.40 kg	1 pc
Develius	EV2A	Modular Sofa	74	135	112	71.70 kg	1 pc
Develius	EV2B	Modular Sofa	74	135	112	71.70 kg	1 pc
Develius	EV2C	Modular Sofa	74	115	115	64.90 kg	1 pc
Develius	EV2D	Modular Sofa	74	115	115	65.90 kg	1 pc
Develius	EV2E	Modular Sofa	46	114	112	38.90 kg	1 pc
Develius	EV2F	Modular Sofa	74	135	112	65.70 kg	1 pc
Develius	EV2G	Modular Sofa	74	135	112	65.70 kg	1 pc
Isole	NN1A	Modular Sofa	26.5	66.5	66.5	9.50 kg	1 pc
Isole	NN1B	Modular Sofa	22.5	61.5	67.5	8.30 kg	1 pc
Isole	NN1C	Modular Sofa	22.5	46.6	68	6.90 kg	1 pc
Isole	NN1D	Modular Sofa	3	31	31	1.50 kg	1 pc
Isole	NN1E	Modular Sofa	3	21	65.5	2.35 kg	1 pc
Isole	NN1F	Modular Sofa	3	66	66	7.70 kg	1 pc
Isole	NN1G	Modular Sofa	7	4	4	0.50 kg	1 pc
Fly	SC10	Lounge Chair	53	75	75	28.80 kg	1 pc
Fly	SC1	Lounge Chair	53	91	84	35.10 kg	1 pc
Fly	SC2	Sofa	53	166	84.5	63.80 kg	1 pc
Fly	SC3	Sofa	53	240.5	84.5	77.25 kg	1 pc
Fly	SC12	Sofa	53	240.5	84.5	76.75 kg	1 pc
Fly	SC9	Pouf Base	11	85	96	14.60 kg	1 pc
Fly	SC9	Pouf Pillow	20	80	80	8.00 kg	1 pc
Fly	SC4	Table Top	8	88	88	41.90 kg	1 pc
Fly	SC4	Table Base	11	85	96	14.60 kg	1 pc

Packaging Information

Product	Model	Category	Height cm	Width cm	Length cm	Weight	Colli qty.
Fly	SC5	Table Top	8	67	128	59.90 kg	1 pc
Fly	SC5	Table Base	7	126	75	15.90 kg	1 pc
Fly	SC11	Table Top	15	136	136	92.90 kg	1 pc
Fly	SC11	Table Base	9	125	135	48.00 kg	1 pc
In Between	SK3/SK11	Table Top	4.5	92	92	19.95 kg	1 pc
In Between	SK3	Table Legs	25.5	81	23	8.60 kg	1 pc
In Between Center Base	SK11	Support	60	60	5	8.30 kg	1 pc
In Between Center Base	SK11	Column	75	19	19	8.00 kg	1 pc
In Between Center Base	SK11	Base	60	60	5	20.00 kg	1 pc
In Between	SK4/SK12	Table Top	4.5	122.5	120	37.50 kg	1 pc
In Between	SK4	Table Legs	25.5	81	23	10.10 kg	1 pc
In Between Center Base	SK12	Support	5	75	75	16.00 kg	1 pc
In Between Center Base	SK12	Column	75	19	19	8.00 kg	1 pc
In Between Center Base	SK12	Base	5	75	75	24.00 kg	1 pc
In Between	SK23	Lounge table	7	65	125	11.3 kg	1 pc
In Between	SK24	Lounge table	7	105	105	16.8 kg	1 pc
In Between	SK5	Table Top	10	100	215	50.00 kg	1 pc
In Between	SK5	Table Legs	20	78	87	13.00 kg	1 pc
In Between	SK6	Table Top	10	110	265	67.80 kg	1 pc
In Between	SK6	Table Legs	20	78	97	13.50 kg	1 pc
In Between	SK13	Lounge table	7	63	63	5.05 kg	1 pc
In Between	SK14	Lounge table	7	75	75	7.15 kg	1 pc
In Between	SK15	Lounge table	7	105	105	15.35 kg	1 pc
In Between	SK16	Table top - Marble	8	80	70	40.00 kg	1 pc
In Between	SK16	Table top - Fenix	5	64	74	0.95 kg	1 pc
In Between	SK17	Table top - Fenix	64	64	5	0.95 kg	1 pc
In Between	SK18	Table top - Marble	8	100	100	61.00 kg	1 pc
In Between	SK19	Table top - Marble	8	130	130	104.00 kg	1 pc
In Between	SK20	Table top - Marble	8	160	160	160.00 kg	1 pc
In Between	SK21	Table top - Marble	8	80	70	40.00 kg	1 pc
In Between	SK21	Table top - Fenix	5	64	74	0.95 kg	1 pc
In Between	SK22	Table top - Fenix	64	64	5	0.95 kg	1 pc
In Between	SK16, SK17, SK21, SK22	Support	5	50	50	6.20 kg	1 pc
In Between	SK18	Support	5	60	60	9.00 kg	1 pc
In Between	SK19 & SK20	Support	5	75	75	14.90 kg	1 pc
In Between	SK16 & SK17	Column	10	75	10	1.70 kg	1 pc
In Between	SK18	Column	15	76	15	5.50 kg	1 pc
In Between	SK19 & SK20	Column	18	76	18	6.00 kg	1 pc
In Between	SK21 & SK22	Column	5	105	10	2.50 kg	1 pc
In Between	SK16, SK17, SK21, SK22	Base	5	50	50	12.50 kg	1 pc

Packaging Information

Product	Model	Category	Height cm	Width cm	Length cm	Weight	Colli qty.
In Between	SK18	Base	5	60	60	18.40 kg	1 pc
In Between	SK19 & SK20	Base	5	75	75	29.70 kg	1 pc
Patch	HW1	Extendable Table	14	97	187	90.25 kg	1 pc
Patch	HW2	Extendable Table	14	107	247	110.70 kg	1 pc
Drip	HW58	Table Top	7	84	144	19.9 kg	1 pc
Drip	HW58	Legs	8	234	26	12.3 kg	1 pc
Drip	HW59	Table Top	7	84	194	23.2 kg	1 pc
Drip	HW59	Legs	8	234	26	13.7 kg	1 pc
Drip	HW60	Table Top	7	104	250	39.4 kg	1 pc
Drip	HW60	Legs	8	234	26	16 kg	1 pc
Pavilion	AV16	Table Top + Stretcher	8	75	145	21.1 kg	1 pc
Pavilion	AV16	Frame	11	66	82	11.1 kg	1 pc
Pavilion	AV17	Table Top + Stretcher	19	75	145	22.1 kg	1 pc
Pavilion	AV17	Frame	11	66	82	11.1 kg	1 pc
Pavilion	AV18	Table	7.2	166	96	33.6 kg	2 pcs
Pavilion	AV19	Table	7.2	206	96	44.0 kg	2 pcs
Pavilion	AV24	Table	7.2	256	116	53.60 kg	1 pc
Drop Leaf	HM5	Side Table	15	85	86	17.95 kg	1 pc
Drop Leaf	HM6	Dining Table	53	142	163	51.60 kg	1 pc
Pinwheel	HM7	Table	5	71	79	6.55 kg	1 pc
Lato	LN8	Lounge Table Top	10	50	70	5.40 kg	1 pc
Lato	LN8	Wood Table Top	70	50	10	4.20 kg	1 pc
Lato	LN9	Lounge Table Top	10	50	70	6.20 kg	1 pc
Lato	LN9	Wood Table Top	70	50	10	4.20 kg	1 pc
Lato	LN8 & LN9	Lounge Table Base	30	30	30	16.00 kg	1 pc
Tung	JA3		54.5	41	41	13.42 kg	1 pc
Rotate	SC73		64	39	39	18.4 kg	1 pc
Alima Trolley	NDS1		63	97	46	14.5 kg	1 pc
Alima Tray	NDS1		5	51	48.5	2.8 kg	1 pc
Palette	JH7	Lounge Table	50	70	126	28.40 kg	1 pc
Palette	JH9	Desk	88	145	67	32.25 kg	1 pc
Palette	JH25	Lounge Table	48	107	120	49.50 kg	1 pc
Shuffle	MH1	Table	20	79	48	14.70 kg	1 pc

Packaging Information

Product	Model	Category	Height cm	Width cm	Length cm	Weight	Colli qty.
Collect Linen	SC28	Cushion	10	50	50	0.90 kg	1 pc
Collect Linen	SC29	Cushion	10	65	65	1.60 kg	1 pc
Collect Linen	SC30	Cushion	10	50	80	1.70 kg	1 pc
Collect Linen	SC31	Bedsread	5	32	43	1.75 kg	1 pc
Collect Heavy Linen	SC28	Cushion	10	50	50	1.05 kg	1 pc
Collect Heavy Linen	SC30	Cushion	10	50	80	1.95 kg	1 pc
Collect Boucle	SC28	Cushion	10	50	50	1.10 kg	1 pc
Collect Boucle	SC30	Cushion	10	50	80	2.35 kg	1 pc
Collect Weave	SC28	Cushion	10	50	50	1.00 kg	1 pc
Collect Weave	SC48	Cushion	10	60	40	1.00 kg	1 pc
Collect Soft Boucle	SC28	Cushion	10	50	50	1.00 kg	1 pc
Collect Soft Boucle	SC48	Cushion	10	60	40	1.00 kg	1 pc
Collect Cotton Throw	SC32	Throw	8	43	46	1.10 kg	1 pc
Collect Cotton Throw	SC33	Throw	11	42	58	2.15 kg	1 pc
Collect Woolen Blanket	SC34	Blanket	7	32	45	0.85 kg	1 pc
Collect Throw	SC81	Throw	8	46	43	1.10 kg	1 pc
Collect Glass Vase	SC35	Vase	49	24	18	2.75 kg	1 pc
Collect Glass Vase	SC36	Vase	49	24	18	4.45 kg	1 pc
Collect Glass Vase	SC37	Vase	36	27	27	7.40 kg	1 pc
Collect Glass Vase	SC38	Vase	74	36	27	11.20 kg	1 pc
Collect Candleholder	SC39	Candleholder	7	14	14	1.05 kg	1 pc
Collect Candleholder	SC40	Candleholder	7	17	14	1.25 kg	1 pc
Collect Candleholder	SC41	Candleholder	7	20	14	1.50 kg	1 pc
Collect Object	SC42	Object	13	14	13	1.75 kg	1 pc
Collect Hook	SC46	Hook	11	11	5	0.35 kg	1 pc
Collect Hanger	SC47	Hanger	18	56	4	1.80 kg	1 pc
Collect Plate	SC55	Plate	14	62	62	14.80 kg	1 pc
Collect Candleholder	SC57	Candleholder	12	5	5	0.45 kg	4 pcs
Collect Candleholder	SC58	Candleholder	14	5	5	0.47 kg	4 pcs
Collect Candleholder	SC59	Candleholder	21	5	5	0.51 kg	4 pcs
Collect Glass	SC60	Glass	11	13	7	1.40 kg	4 pcs
Collect Glass	SC61	Glass	13	17	9	0.30 kg	4 pcs
Collect Carafe	SC62	Carafe	27	9	9	0.40 kg	2 pcs
Collect Carafe	SC63	Carafe	30	10	10	0.50 kg	2 pcs
Collect Tray	SC64	Tray	3	29	42	0.87 kg	1 pc
Collect Tray	SC65	Tray	3	39	56	1.20 kg	1 pc
Collect Ceramic vase	SC66	Vase	24	18	20	1.3 kg	4 pcs
Collect Ceramic vase	SC67	Vase	32	23	30	2.90 kg	2 pcs
Collect Ceramic vase	SC68	Vase	34	20	21	1.20 kg	2 pcs
Collect Crafted glass vase	SC66	Vase	24	20	18	1.45 kg	4 pcs

Packaging Information

Product	Model	Category	Height cm	Width cm	Length cm	Weight	Colli qty.
Collect Crafted glass vase	SC67	Vase	32	30	23	3.40 kg	2 pcs
Collect Crafted glass vase	SC68	Vase	34	21	20	2.00 kg	2 pcs
Collect Planter	SC69	Planter	13	12	12	0.40 kg	6 pcs
Collect Planter	SC70	Planter	18	15	15	1.00 kg	6 pcs
Collect Planter	SC71	Planter	18	24	24	2.20 kg	2 pcs
Collect Planter	SC72	Planter	24	20	20	2.20 kg	2 pcs
Collect Bowl	SC82	Bowl	23	33.5	17	2.00 kg	1 pc
Collect Wine glass	SC79	Wine glass	16	40	21.5	2.20 kg	2 pcs
Collect Wine glass	SC80	Wine glass	21.5	38.5	20.5	2.20 kg	2 pcs
Collect Glass	SC78	Glass	8.5	16.8	8.4	0.28 kg	2 pcs
Capture	SC74	Hook	6	30	23	0.83 kg	1 pc
Capture	SC75	Hook	6	30	40	1.28 kg	1 pc
Capture	SC76	Hanger	6	29	67	2.90 kg	1 pc
Capture	SC77	Coat Stand	14	41	189	8.50 kg	1 pc
Cruise	AP11	Rug	250	30	30	24.50 kg	1 pc
Cruise	AP12	Rug	210	30	30	25.00 kg	1 pc
Framed	AP13	Rug	92	13	13	3.20 kg	1 pc
Framed	AP14	Rug	92	16	16	4.60 kg	1 pc
The Moor	AP5	Rug	180	30	30	16.25 kg	1 pc
The Moor	AP6	Rug	250	30	30	33.15 kg	1 pc
The Moor	AP7	Rug	210	30	30	32.00 kg	1 pc
The Moor	AP8	Rug	310	30	30	38.90 kg	1 pc
The Eye	AP9	Bedsread	12	44	55	2.70 kg	1 pc
Untitled	AP10	Throw	7	43	50	1.20 kg	1 pc
Amore	SC49	Mirror	122	122	13	47.50 kg	1 pc
Amore	SC50	Mirror	197	67	13	49.50 kg	1 pc
Amore	SC56	Mirror	80	80	8	12.5kg	1 pc
Sillon	SH4	Mirror	9	54	54	5.40 kg	1 pc
Sillon	SH5	Mirror	9	74	74	9.30 kg	1 pc
Sillon	SH6	Mirror	9	104	104	16.80 kg	1 pc
Sillon	SH7	Mirror	11	71	201	55.90 kg	1 pc
Column	JA1	Shelf	5	27	26	2.00 kg	1 pc
Column	JA2	Shelf	5	83	28	4.35 kg	1 pc
Votive	AV20	Candleholder	8	18.5	24	0.88 kg	1 pc

Packaging Information

Product	Model	Category	Height cm	Width cm	Length cm	Weight	Colli qty.
P376	KF1	Pendant	27	59	59	4.00 kg	1 pc
P376	KF2	Pendant	37	80	80	7.50 kg	1 pc
Blown	SW3	Pendant	40	32	32	4.30 kg	2 pcs
Blown	SW4	Pendant	30	25	25	2.65 kg	2 pcs
Blown	SW5	Ceiling Lamp	40.5	30	30	4.10 kg	2 pcs
Blown	SW6	Table Lamp Glass	35	25	25	2.50 kg	2 pcs
Blown	SW6	Table Lamp Base	19	19	19	2.10 kg	2 pcs
Passepartout	JH10	Lamp Shade	23	19	18	0.85 kg	1 pc
Passepartout	JH11	Lamp Shade	22	24.5	24	0.95 kg	1 pc
Passepartout	JH10 & JH11	LED Module	8.4	11.3	11.3	0.25 kg	1 pc
Passepartout	JH12	Lamp Shade	21	30.5	30	2.00 kg	1 pc
Passepartout	JH12	LED Module	8.4	11.3	11.3	0.25 kg	1 pc
Tabata	LN10	Wall Lamp	32	24.5	16.5	2.20 kg	1 pc
Milk	NA1	Table Lamp	33	27	27	2.70 kg	2 pcs
Colette	ATD6	Table Lamp	18	40	54	3.00 kg	1 pc
Formakami	JH3	Lamp Shade	10	49	49	0.72 kg	2 pcs
Formakami	JH3	Lamp Bracket	8	19	45.5	0.67 kg	2 pcs
Formakami	JH4	Lamp Shade	10	52	52	0.80 kg	2 pcs
Formakami	JH4	Lamp Bracket	7.5	17	34	0.63 kg	2 pcs
Formakami	JH5	Lamp Shade	10	72	73	1.60 kg	2 pcs
Formakami	JH5	Lamp Bracket	7.5	23	48.5	0.71 kg	2 pcs
Formakami	JH18	Lamp Base	14	14	49	1.12 kg	2 pcs
Formakami	JH18	Lamp Shade	4.8	40	48.5	0.39 kg	2 pcs
Setago	JH27	Portable Table Lamp	23	23	29	1.35 kg	2 pcs
Bellevue	AJ7	Floor Lamp	176	28.5	28.5	10.30 kg	1 pc
Bellevue	AJ9	Wall Lamp	20	45	19.5	1.15 kg	1 pc
Bellevue	AJ10	Plug in Table Lamp	95	20	20	2.30 kg	1 pc
Bellevue	AJ11	Plug in Table Lamp	95	20	20	2.30 kg	1 pc
Flowerpot	VP1	Pendant	15	24.5	25	1.45 kg	2 pcs
Flowerpot	VP7	Pendant	45	45	28	3.95 kg	1 pc
Flowerpot	VP2	Pendant	31	53	53	5.00 kg	1 pc
Flowerpot	VP3	Table Lamp	45	29	26	4.80 kg	1 pc
Flowerpot	VP4	Table Lamp	40	25.5	25.5	1.85 kg	1 pc
Flowerpot	VP8	Wall Lamp	26	40	28	1.72 kg	1 pc
Flowerpot	VP9	Portable Table Lamp	33	19	19	1.40 kg	1 pc
Topan	VP6	Pendant	27.8	22.5	22.5	0.95 kg	2 pcs
Mass Light	NA5	Pendant	35	20	18.5	1.40 kg	3 pcs
Mass Light	NA5	Pendant (marble)	35	20	18.5	1.90 kg	3 pcs
Utzon Lamp	JU1	Pendant	25.5	24.5	24.5	1.60 kg	1 pc
Copenhagen	SC6	Pendant	28.5	24.5	24.5	1.70 kg	2 pcs

Packaging Information

Product	Model	Category	Height cm	Width cm	Length cm	Weight	Colli qty.
Copenhagen	SC6 - Opal glass	Pendant	31.5	26.5	26.5	1.30 kg	2 pcs
Copenhagen	SC6 - Acrylic diffuser	Pendant	0.2	14	14	0.04 kg	2 pcs
Copenhagen	SC7	Pendant	44	40.5	40.5	2.50 kg	2 pcs
Copenhagen	SC7 - Opal glass	Pendant	45	42	42	3.90 kg	2 pcs
Copenhagen	SC7 - Acrylic diffuser	Pendant	0.2	26.5	26.5	0.14 kg	2 pcs
Copenhagen	SC8	Pendant	60	65	65	7.20 kg	1 pc
Copenhagen	SC8 - Acrylic diffuser	Pendant	0.2	47.5	47.5	0.45 kg	1 pc
Copenhagen	SC13 - Shade	Table	31	41	41	3.40 kg	1 pc
Copenhagen	SC13 - Base	Table	16	48	26	3.90 kg	1 pc
Copenhagen	SC14 - Shade	Floor	39	59	59	5.30 kg	1 pc
Copenhagen	SC14 - Base	Floor	17	158	39	11.80 kg	1 pc
Copenhagen	SC15	Desk	24	55	27	5.10 kg	1 pc
Copenhagen	SC54	Wall	33	19	20	2.00 kg	1 pc
Spinning	BH1	Pendant	52	32	32	2.15 kg	1 pc
Spinning	BH2	Pendant	41	49	49	2.50 kg	1 pc
Mega Bulb	SR2	Pendant	29.5	22	22	1.45 kg	2 pcs
Journey	SHY1	Table Lamp	31.5	25.5	32.5	2.60 kg	2 pcs
Journey	SHY2	Wall Lamp	31.5	25.5	32.5	2.30 kg	2 pcs
Herman	SHY3	Table Lamp	18	32	32	1.9 kg	2 pcs
Tripod	HM8	Floor Lamp	147	52	58	16.00 kg	1 pc
Tripod	HM9	Table Lamp	30	51	26	0.9 kg	1 pc
Lucca	SC51	Outdoor Portable Lamp	35	22	23	1.60 kg	1 pc
Manhattan	SC52	Portable Lamp	33	18	18	1.25 kg	1 pc
Como	SC53	Portable Lamp	29	21	21	1.00 kg	1 pc
Caret	MF1	Portable Lamp	31	17.5	17.5	1.34 kg	1 pc
Raku	SH8 - Brass	Portable Lamp	31	45	21	1.4 kg	2 pcs
Raku	SH8 - Bronzed	Portable Lamp	31	45	21	1.2 kg	2 pcs
Trolley	SC52, SC53, MF1, SH8	Trolley	95	50	13	13.80 kg	1 pc
Charging tray	SC52, SC53, MF1, SH8	Charging Tray	49	7	96	7.80 kg	1 pc
Power supply	SC52, SC53, MF1, SH8	Power Supply	7	26	20	1.60 kg	1 pc

Sales procedures for dealers

SALES

VALIDITY

These general Sales Procedures for Dealers and Terms of Sale and Delivery shall supersede all previous agreements and shall apply to any agreement made between &Tradition A/S and the buyer unless otherwise agreed.

PRICES

All prices in the price list are stated in EUR, exclusive VAT. &Tradition A/S reserves the rights to change prices without prior notice and to raise prices without prior notice because of increases in price of raw material, processing, packaging and other sudden changes in costs.

QUOTATIONS

Quotations submitted by &Tradition will be valid and binding for 60 days, unless otherwise agreed.

PLACING AN ORDER

Please send your order to info@andtradition.com or to your assigned sales representative. Please make sure your order is correct and includes all information needed to process it, such as item number/quantity/size/colour/finish.

Please consider packing sizes, when compiling your order as your quantities will be rounded up, if they cannot be met with our standard packing sizes.

EX-WORKS

For customers with the delivery term EX-WORKS, please note when you place an order, if it needs to be packed for AIR-freight. We will as standard pack the order for SEA-freight. Once the order has been packed and is ready to collect, it is no longer possible to repack the order.

STOCK ITEMS

If one or more stock items are temporarily sold out, when the order is placed, these items will be confirmed on the order confirmation but shipped separately. The original order will be delivered according to our terms of delivery, and the unavailable products will be delivered as soon as they are back in stock.

ORDER CONFIRMATION

You will receive an order confirmation, when the order has been entered into our system. You can usually expect to receive this confirmation within 1-3 working days from when &Tradition receives the order. The shipment-date of the order is stated on the order confirmation.

You must always check the order confirmation as soon as you receive it, and contact &Tradition at info@andtradition.com or +45 39200233, if you find any discrepancies.

CHANGES AND CANCELLATIONS OF ORDERS

If you do need to change or cancel an order the following rules apply.

Stock items

Changes or cancellations can be made within 24 hours from receiving the order confirmation. Changes or cancellations later than 24 hours are not possible.

Custom-made products

Changes or cancellations can be made within 72 hours from receiving the order confirmation. Changes or cancellations later than 72 hours, will be charged with a fee.

Fee when changes are made: Depends on the type of change, and how far in the process the product is. Fee for cancellations: 50% of the order amount will be charged.

Customized products

Changes or cancellations are not possible.

CHANGE OF DELIVERY ADDRESS

Stock-items

The delivery address for an order can be changed within 24 hours of receiving the order confirmation. For orders with a future-given shipment date, the address can be changed 48 hours before the confirmed shipment date.

For a change of delivery address after the order has left our warehouse, a fee will be added, depending on the status of the order.

Custom-made & Customized products

For orders with custom-made or customized products, a fee will be added, depending on the status of the order.

For a change of delivery address after the order has left our warehouse, a fee will be added, depending on the status of the order.

TERMS OF DELIVERY

Stock-item orders will be shipped within 2-3 working days after receiving the order confirmation. If your order or part of it cannot be shipped accordingly, we will notify you, and inform you of the new expected shipment date when possible.

All lead time stated in the price list can only be used as a guideline.

EX-WORKS

Orders with delivery term EX-WORKS will be ready to collect, the day after you receive your invoice. All necessary information will be stated on the invoice.

The order must be picked up no later than 30 days after you have received the invoice, or a warehouse fee will be charged. The fee is 375 EUR per packed unit (colli or pallet) per week.

If an order hasn't been collected within 90 days, it's considered a cancellation, and we will credit you 50% of the invoiced amount.

DELIVERY COST

You will find the delivery costs stated on the order confirmation received.

Delivery costs is calculated based on the total amount of the original order and applies for the invoiced amount for each shipment.

TRANSPORT

STANDARD DELIVERY

We deliver to shop or warehouse address during regular daily opening hours. We don't deliver to residential addresses.

Your order will be delivered within our normal transport set-up. If your delivery needs any special requirements, you must inform &Tradition when placing the order, and we will decide, if your enquiry can be handled within our transport set-up. Otherwise an additional fee will be charged.

Sales procedures for dealers

FIX DELIVERY / SLOT DELIVERY TIME

If you need a FIXED delivery, FIXED DATE delivery or SLOT delivery for your order, please inform &Tradition when placing the order, so that we can include it in the order confirmation. Please note, that you will be charged an extra delivery fee for these options.

FAILED DELIVERY ATTEMPT

If the delivery attempt failed despite compliance with the agreed-upon delivery conditions (opening hours etc.), a surcharge will be invoiced to you according to the size and complexity of the delivery.

DELIVERY CONDITIONS

If your delivery conditions should change, please make sure to inform &Tradition, immediately. Further, it's important to inform if the delivery needs to be made with a big or a small lorry, with or without a fork lift, opening hours etc.

CLAIMS

All claims must be reviewed by &Tradition. In order to process your claim efficiently, we kindly ask that you register your claim as soon as you find a fault or defect concerning your product and follow the procedure below:

CLAIM PROCEDURE

We kindly ask you to submit your claim according to the instructions given in our claim sheet to aftersales@andtradition.com

- &Tradition Sales order no. or Invoice no.
- &Tradition Purchase no. (PO no.)
- &Tradition Item number
- Description of the claim
- Well-documented pictures

&Tradition reserves the right to reject any claim which does not meet the requirements listed in our claim document.

If your claim is accepted, we will proceed to finding the best possible way of replacing the product or remedy the defect. You will be informed on whether you should return or destroy the defective product.

If your claim is rejected, we will inform you with the reasons why, and &Tradition will close the case.

TRANSPORT DAMAGES AND MISSING PRODUCTS

If you receive a delivery which does not comply with your expectations, reservations should be made on the waybill or electronic PDA (delivery note).

Visible damage

Note your reservations on the CMR document or electronic PDA (delivery note) if the goods received appear to have been damaged during transport. The note must include a clear and detailed description of whether the products are damaged, wet, missing etc. Make sure to take pictures of the damaged parcels, pallets and products upon delivery and forward them according to the claim procedure. We need pictures of the parcel before the goods are unpacked and of the damaged product itself. If the CMR document or PDA is signed without any reservation, &Tradition is not obligated to accept the claim. &Tradition must receive the claim within 2 days of receipt of the goods.

Non-visible damage

If there is a visible damage on the product, that might have occurred during

transportation, and which is not visible on the parcel, we also need pictures of both product and packaging as described above. &Tradition must receive the claim within 7 days of receipt of the goods.

PAYMENT

Invoices are issued and dated, when the orders are dispatched. Please refer to the invoice number or customer number when sending payment and please use the IBAN and Swift Codes stated on your invoice. It is possible to combine payments, so that several orders are paid in just one transfer. All bank charges are the responsibility of the buyer.

Delivered goods remain the property of &Tradition A/S until the full purchase price including delivery charges as well as interests payable on arrears is fully paid.

CREDIT INSURANCE

&Tradition use a credit insurance company called Euler Hermes, and reserve the right to apply for credit insurance for all our customers. In case the application will be denied, orders need to be prepaid.

DEBITOR POLICY

The first order must be pre-paid and for subsequent orders the general payment terms will be communicated on the order confirmation. Invoices must be paid on time. In case the due date is exceeded, a reminder will be sent. After a third reminder &Tradition A/S is obligated to initiate debt collection.

ACCOUNT SUSPENSION

Account suspension means that &Tradition A/S cannot process and deliver orders until the overdue amount has been paid.

REACTIVATING A SUSPENDED ACCOUNT

Once the overdue amount has been paid, &Tradition A/S will decide if the suspension of the account will be revoked, and orders will be processed and shipped as soon as possible.

OTHER

REQUESTS FOR NON-STANDARD TEXTILES FOR FURNITURE

We offer a selection of design textiles and leathers in our standard textile program, which are listed in the price list. These have carefully been selected by the &Tradition design team and are subject to change over time.

If non-standard fabrics are requested, we will inform whether a specific textile is suitable for the requested product and the recommended price. Please contact info@andtradition.com or your local sales representative with your request.

For COM orders (Customer Own Material) you are responsible for delivering the correct amount of fabric required directly to our production. Based on which product you want to produce as COM, &Tradition will send you all relevant information to proceed with your order.

ASSEMBLING AND MAINTENANCE GUIDES FOR PRODUCTS

On our website, www.andtradition.com, you will find all our instruction manuals, and care and maintenance guide for our furniture, lighting and accessories.

Sales procedures for dealers

TERMS OF SALE AND DELIVERY

ORDER HANDLING

After receiving your order, an order confirmation will be sent by email. All order confirmations must be checked by the customer immediately and mistakes must be reported to &Tradition A/S.

DELIVERY SCHEDULES

An estimated shipment date will be stated on your order confirmation. Delivery of custom-made products as well as large orders is agreed on a case by case basis.

Should &Tradition A/S learn that it is not possible to deliver the goods within the agreed period; the customer will be informed of the delay as soon as possible and informed of a new shipment date. If the delay exceeds 3 months and is not due to force majeure, the customer is entitled to cancel the order. The customer is not entitled to make further claims to &Tradition A/S in cases of e.g. delay.

&Tradition A/S cannot be held accountable for delivery problems in cases of force majeure. In these situations, delivery schedules will be prolonged.

DELIVERY

Deliveries will be shipped from the &Tradition A/S warehouse. The customer is obligated to check the packaging upon receipt of the goods and check that the number of packages corresponds with the delivery note. When distinctly agreed that &Tradition A/S is responsible for delivery the following is applicable:

If goods and/or packaging are damaged upon receipt the responsibility to accept the order with reservation and to make a remark of this on the delivery note lies upon the recipient. Any damage incurred during transport must be reported directly to &Tradition A/S no later than 2 days after receipt.

FORCE MAJEURE

&Tradition A/S is not liable for any delays or breach of contract that are due to force majeure.

PAYMENT

&Tradition A/S reserves the right to demand full or partial advance payment. Delivered goods remain the property of &Tradition A/S until the full purchase price including delivery charges as well as interest's payable on arrears is fully paid.

Conditions of payment are stated on the invoice. If the purchaser does not pay in full on the due date, &Tradition A/S is entitled to charge interest payable on arrears at a rate of 1,5% per month or part thereof.

TOLERANCES

Any colour samples or samples of wood can only be considered as a guide. &Tradition A/S cannot be held responsible for any differences between the sample and the delivered goods, as colour changes occur naturally over time. Variances are not considered to be defects. Colour deviations, minor air bubbles and variations in form and thickness at our mouth blown glass are not considered to be defects. Wear and tear due to normal everyday use on upholstery, surfaces etc. are not considered to be defects.

COMPLAINTS

Any complaints must be filed in writing no later than 7 days after receipt of the goods in question. Any complaints received later than this date cannot be considered unless it is a question of manufacturing defects as stated in the Danish Buyer Law (Purchasing Act) legislation. &Tradition A/S has the right to repair or replace the product in question.

WARRANTY

&Tradition A/S provides a 2-year right to complaint. The right of complaint is valid from the date of the original invoice, and the right of complaint does not apply in the following situations:

- If the product has been stored or assembled wrongly.
- If the product has been abused or misused, altered or cleaned using the wrong cleaning methods.
- Damage due to normal wear and tear, cuts and scratches, or damage caused by impact or accidents.
- If the product has been placed outdoors or in a humid environment.
- In cases of consequential or incidental damage.

PRODUCT LIABILITY

&Tradition A/S can only be held responsible for any material damage caused by its products, if it can be proved that such damage is due to error or negligence on the part of &Tradition A/S or of its employees. &Tradition A/S can in no way be held responsible for operational losses, loss of earnings or other financial consequences arising from such damage.

ALL RIGHTS RESERVED

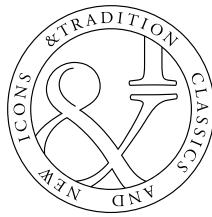
&Tradition A/S is not responsible for any printing errors and price changes. &Tradition A/S reserves the right to make changes or to terminate the manufacture of any model without prior notice.

We value your continued dedication to our brand and products and look forward to continuing our positive cooperation with you.

&Tradition A/S
September 2022

&Tradition A/S
Kronprinsessegade 4
1306 København K
Denmark

+45 3920 0233 / info@andtradition.com



&Tradition
Kronprinsessegade 4
DK - 1306 Copenhagen K
info@andtradition.com
andtradition.com

©&Tradition 2022

#andtradition

&Tradition®